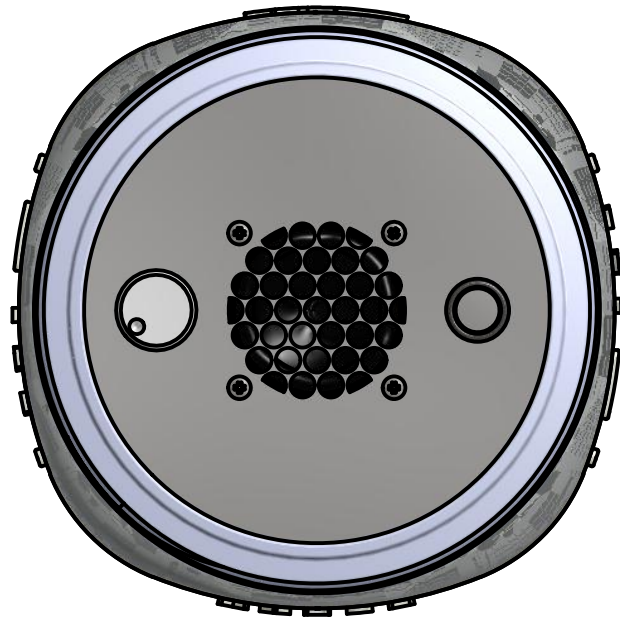
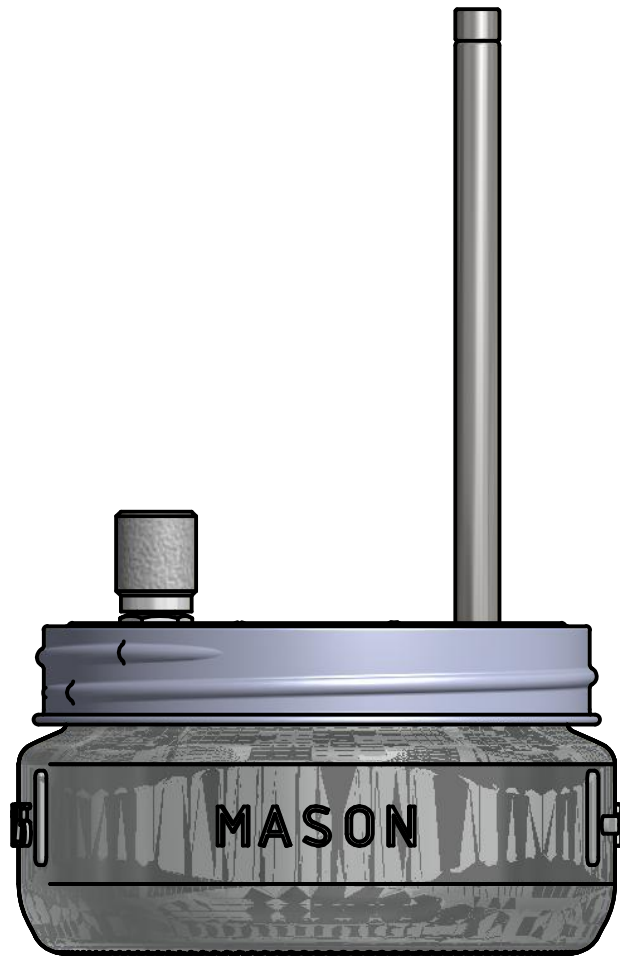
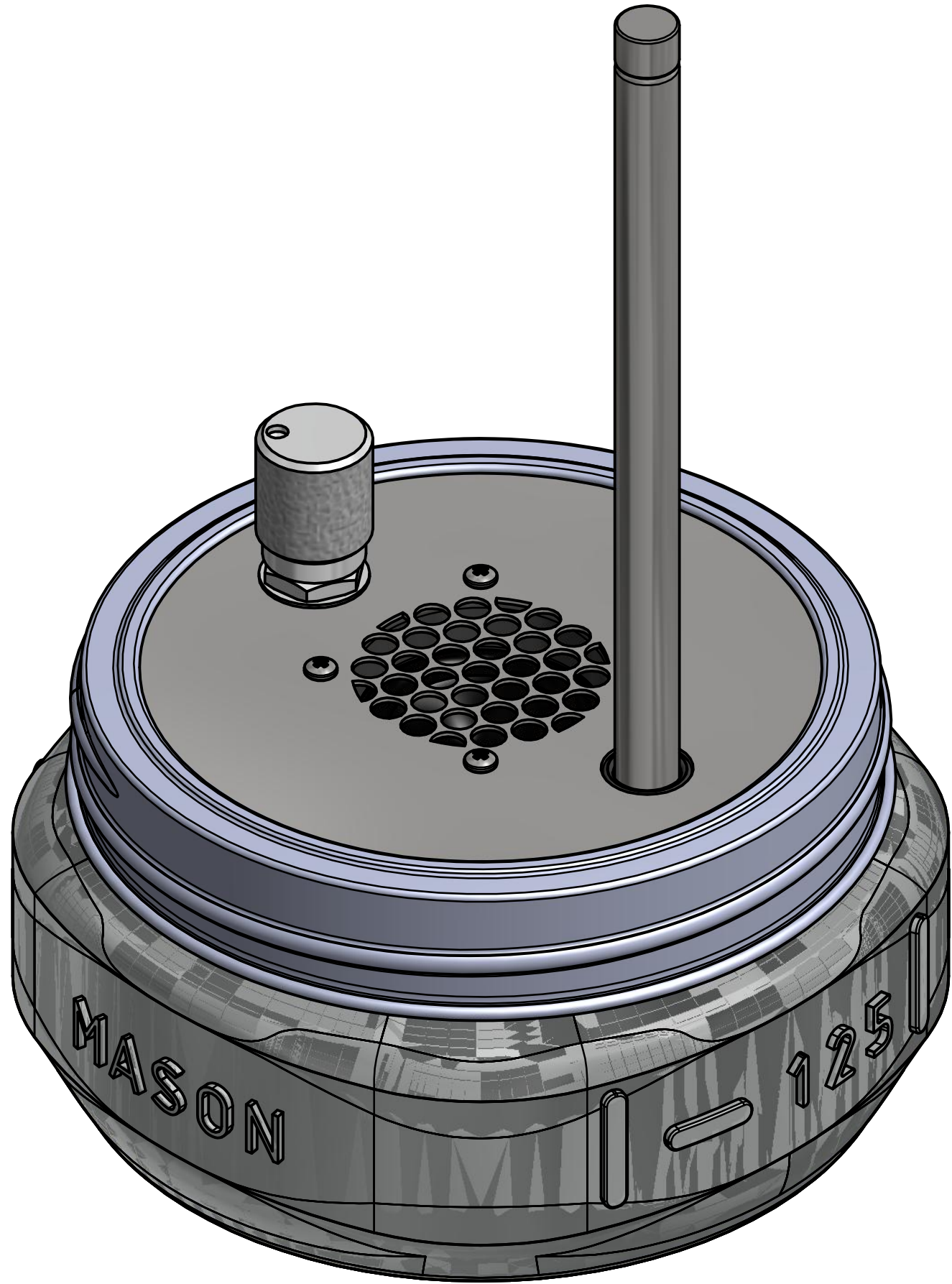
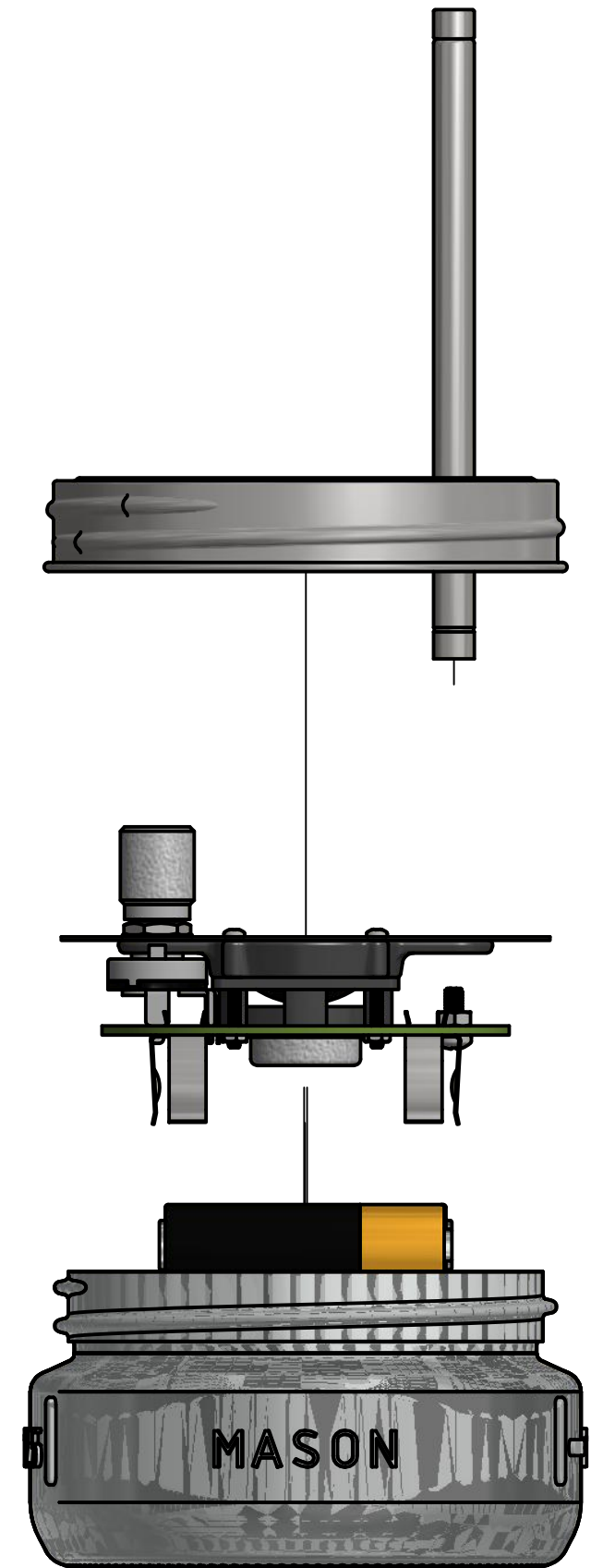
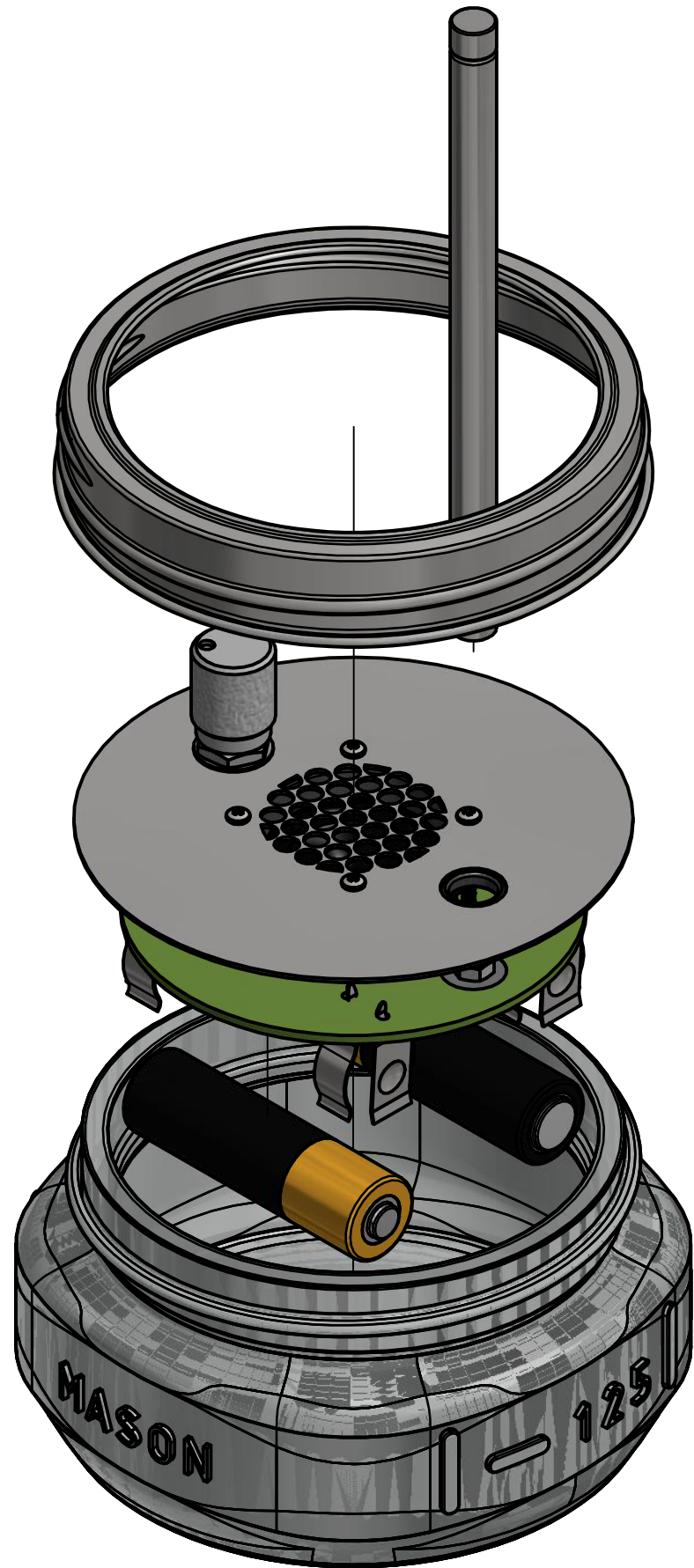


REVISIONS		
REV	DESCRIPTION	DATE
A	Swapped out telescoping antenna, removed lid screws, adjusted model views.	2014.09.21
B	Added antenna grommet part; revised knob.	11/26/2014
C	Removed grommet, added molded spacer. Added section views. Misc changes.	12/7/2014



UNSPECIFIED DIMENSIONS IN mm STANDARD TOLERANCES: angular = ± 2° x.xx = ± .3mm x.xxx = ± .13mm x.xxxx = ± .013mm BREAK ALL SHARP EDGES	MATERIAL: FINISH: N/A	designed and drawn by SPENCER WRIGHT info, documentation & jokes at pencerw.com copy my designs if you must, but do let me know first :)	2014.02.11
	APR1006 Public Radio Assy.iam		SHEET 1 of 8



UNSPECIFIED DIMENSIONS IN mm
 STANDARD TOLERANCES:
 angular = ± 2°
 x.xx = ± .3mm
 x.xxx = ± .13mm
 x.xxxx = ± .013mm
 BREAK ALL SHARP EDGES

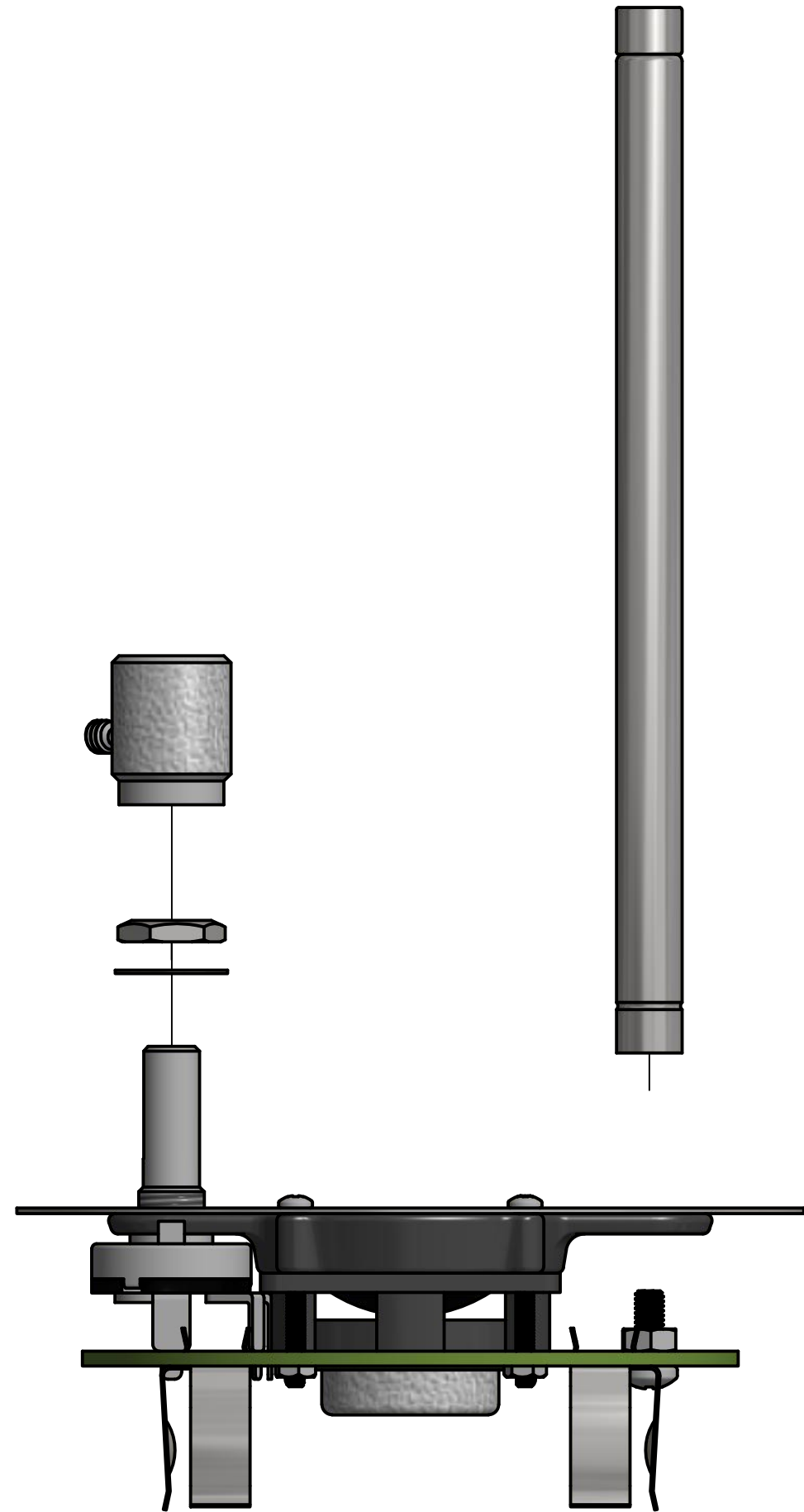
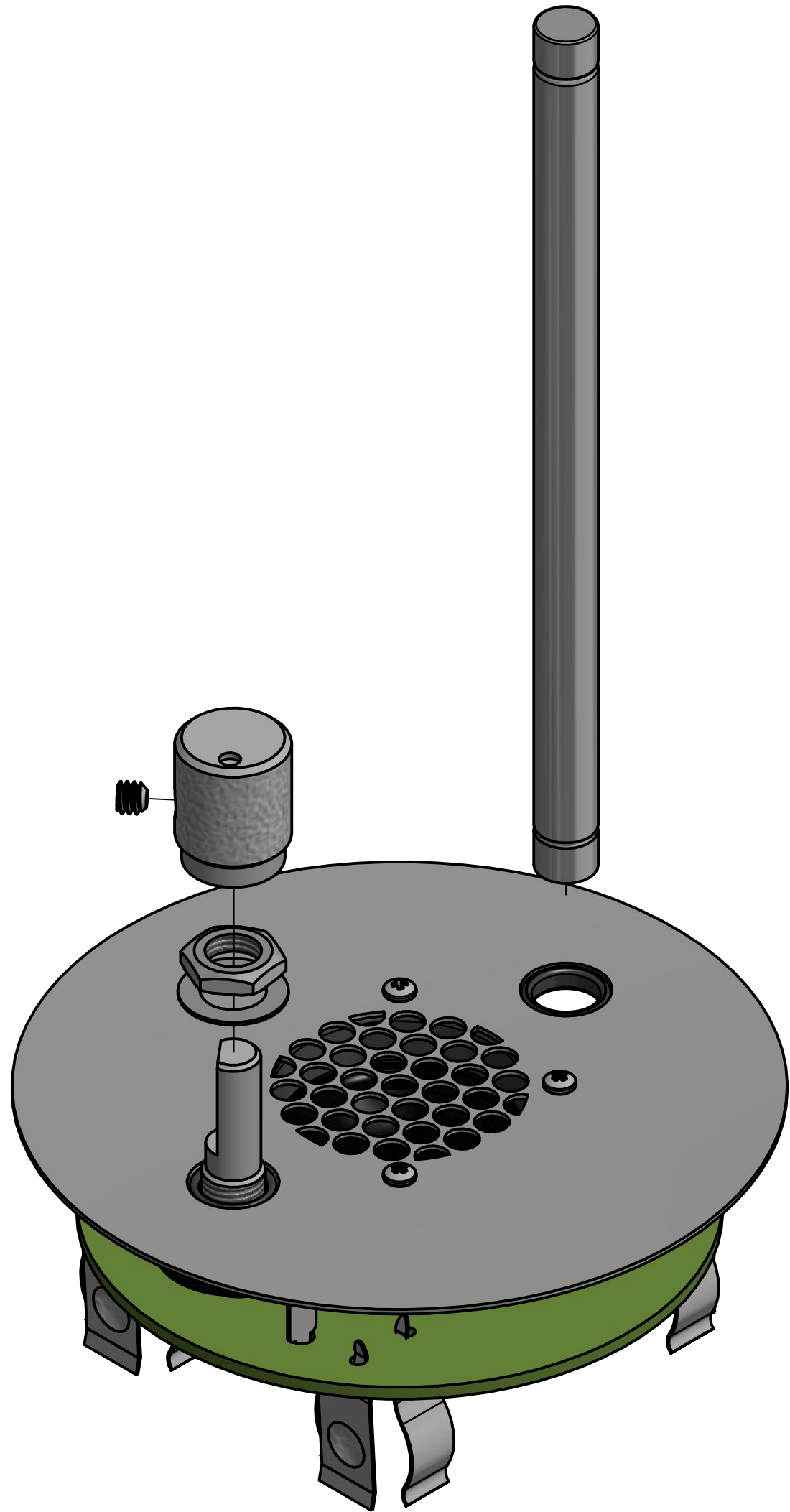
MATERIAL:
 FINISH: N/A

designed and drawn by SPENCER WRIGHT
 info, documentation & jokes at pincerw.com
 copy my designs if you must, but do let me know first :)

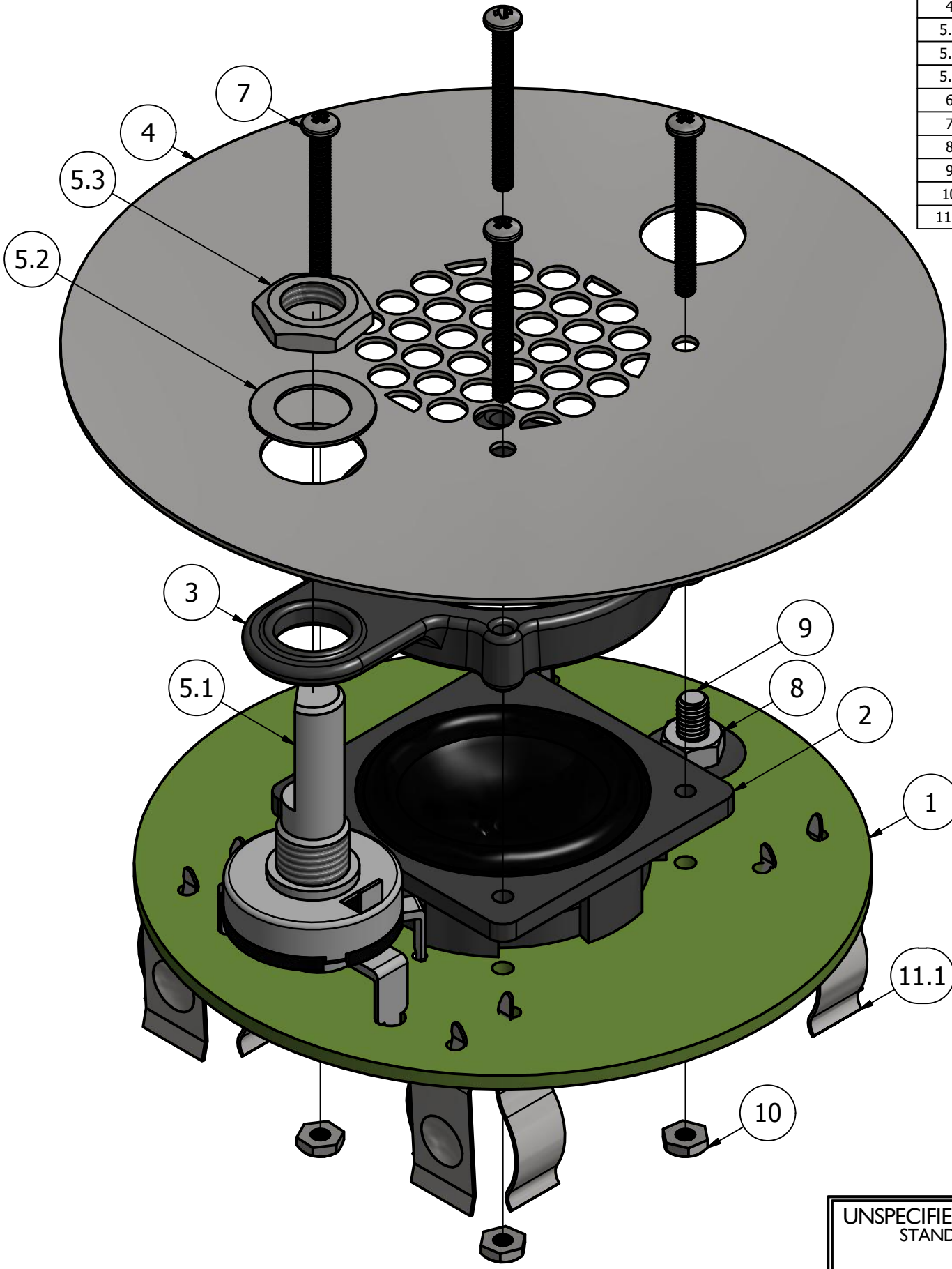
2014.02.11

APR1006 Public Radio Assy.iam

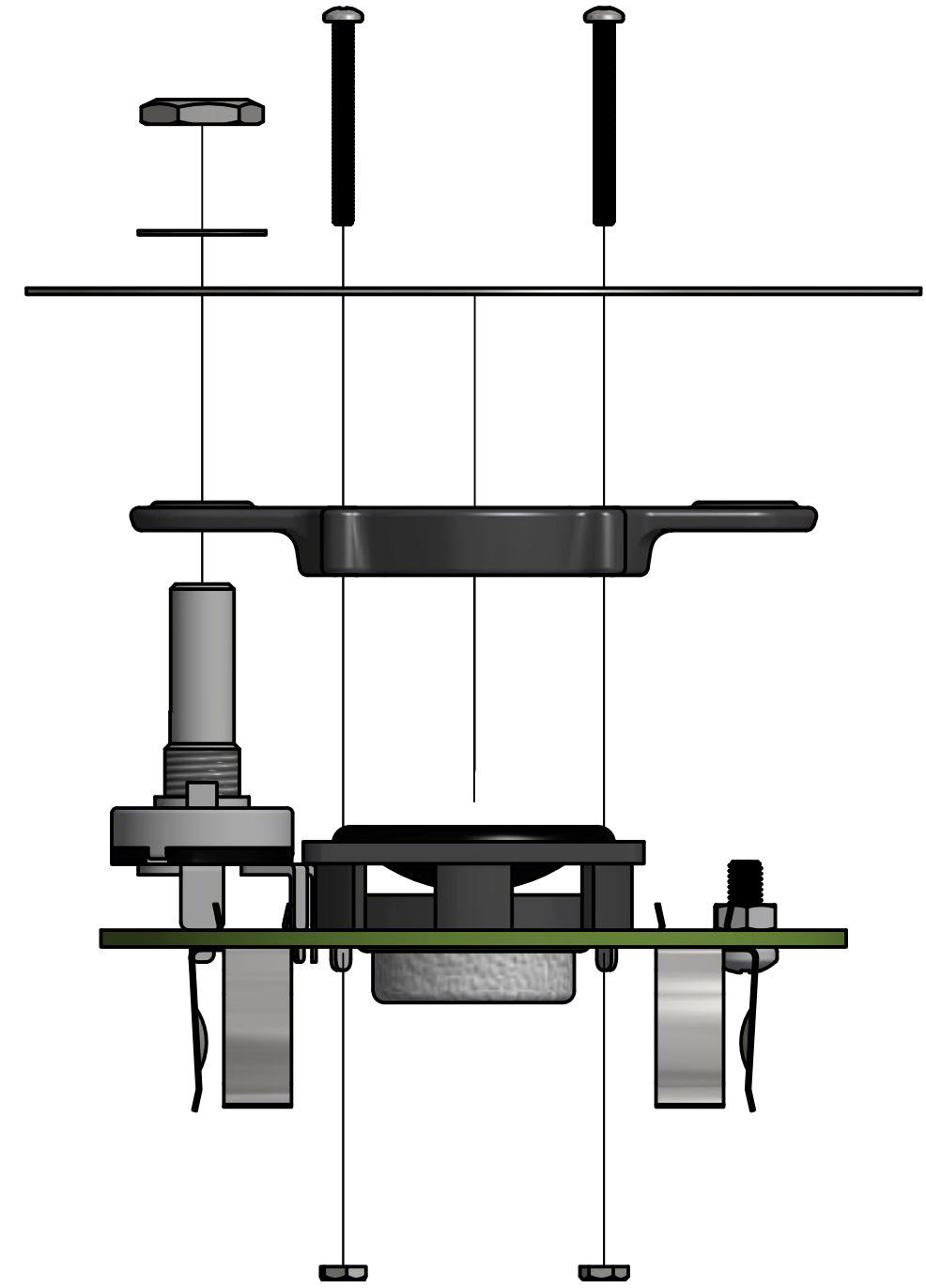
SHEET
 2 of 8



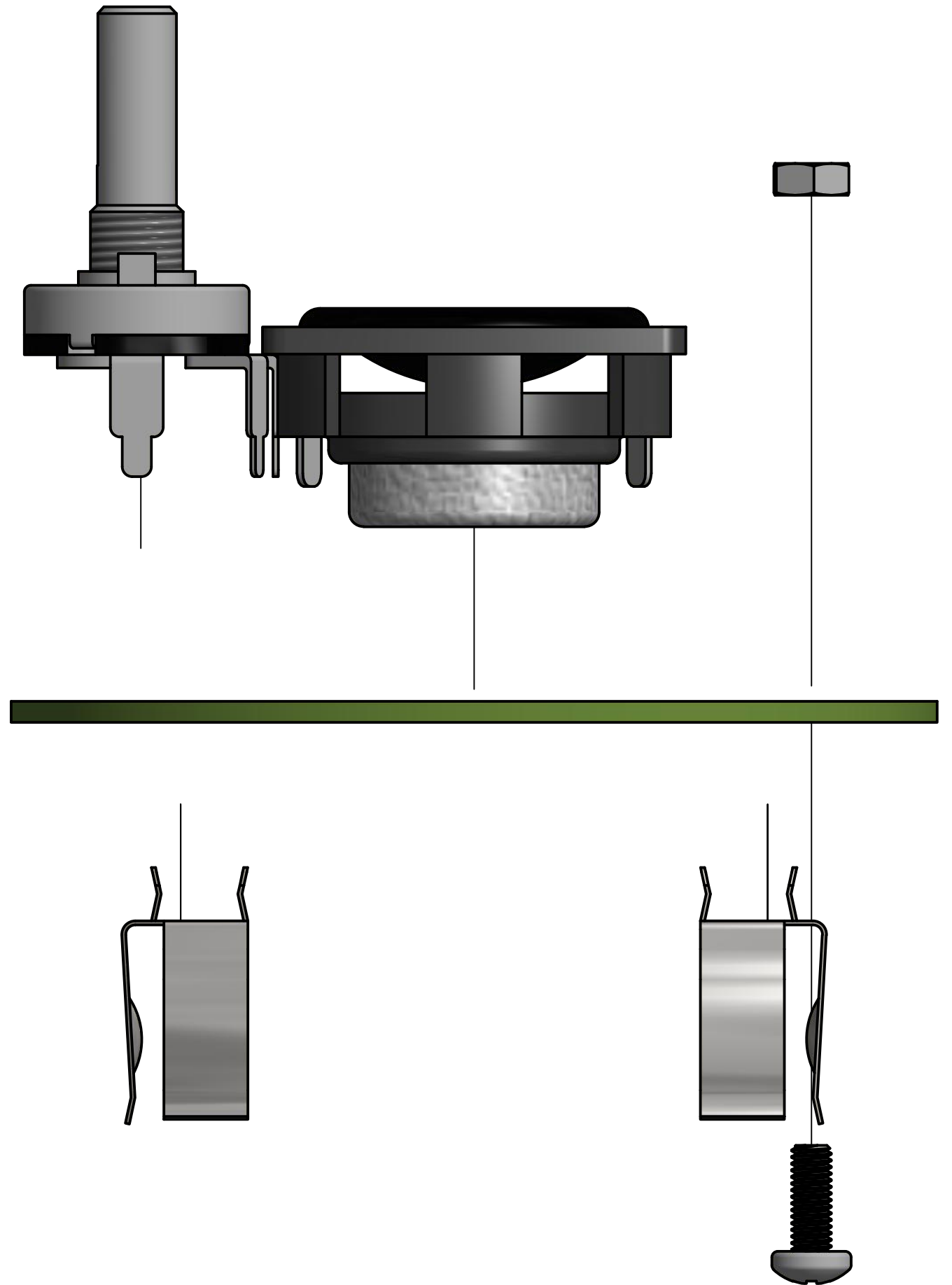
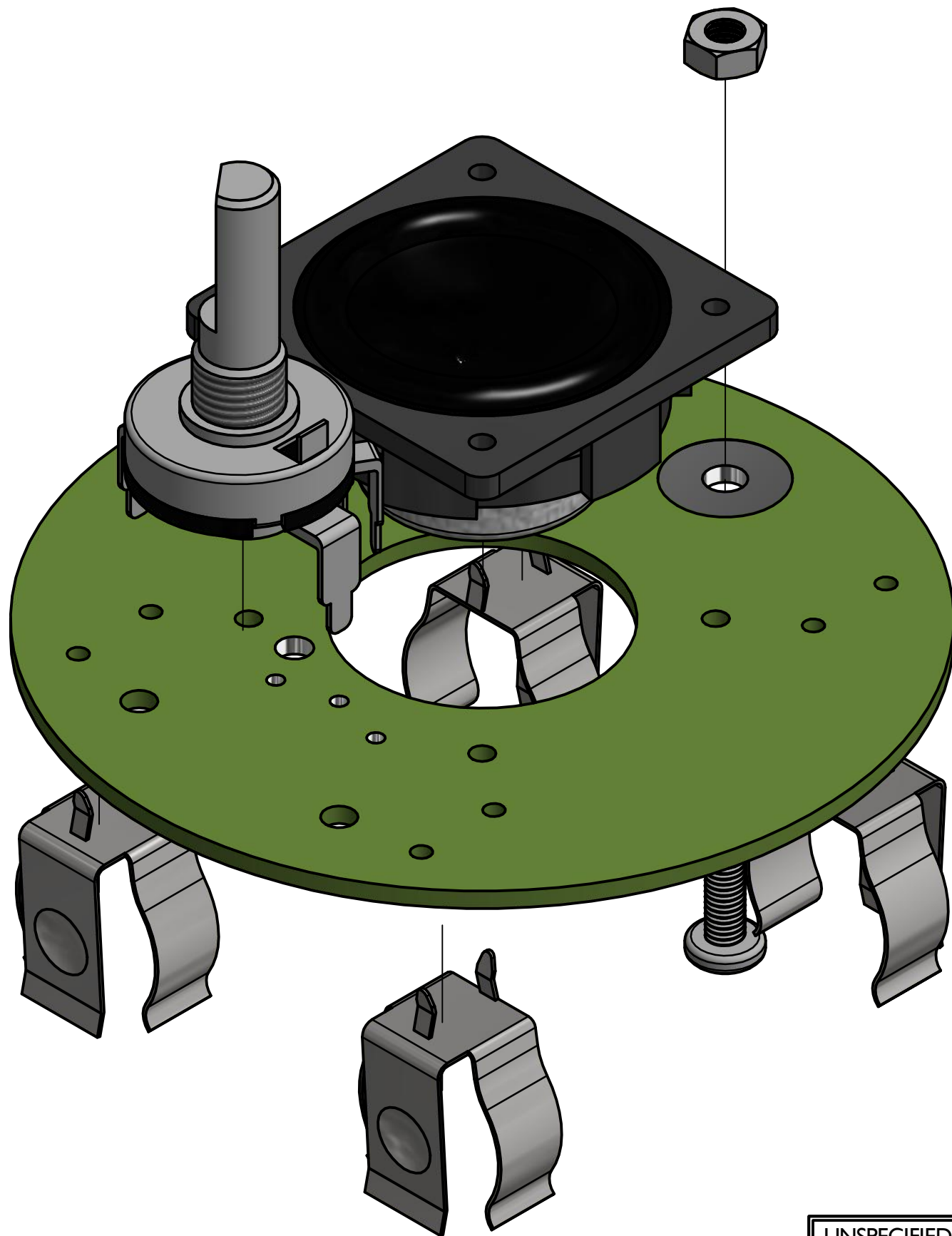
<p>UNSPECIFIED DIMENSIONS IN mm STANDARD TOLERANCES: angular = ± 2° x.xx = ± .3mm x.xxx = ± .13mm x.xxxx = ± .013mm BREAK ALL SHARP EDGES</p>	<p>MATERIAL: FINISH: N/A</p>	<p>designed and drawn by SPENCER WRIGHT info, documentation & jokes at pincerw.com copy my designs if you must, but do let me know first :)</p>	<p>2014.02.11 SHEET 3 of 8</p>
<p>APR1006 Public Radio Assy.iam</p>			



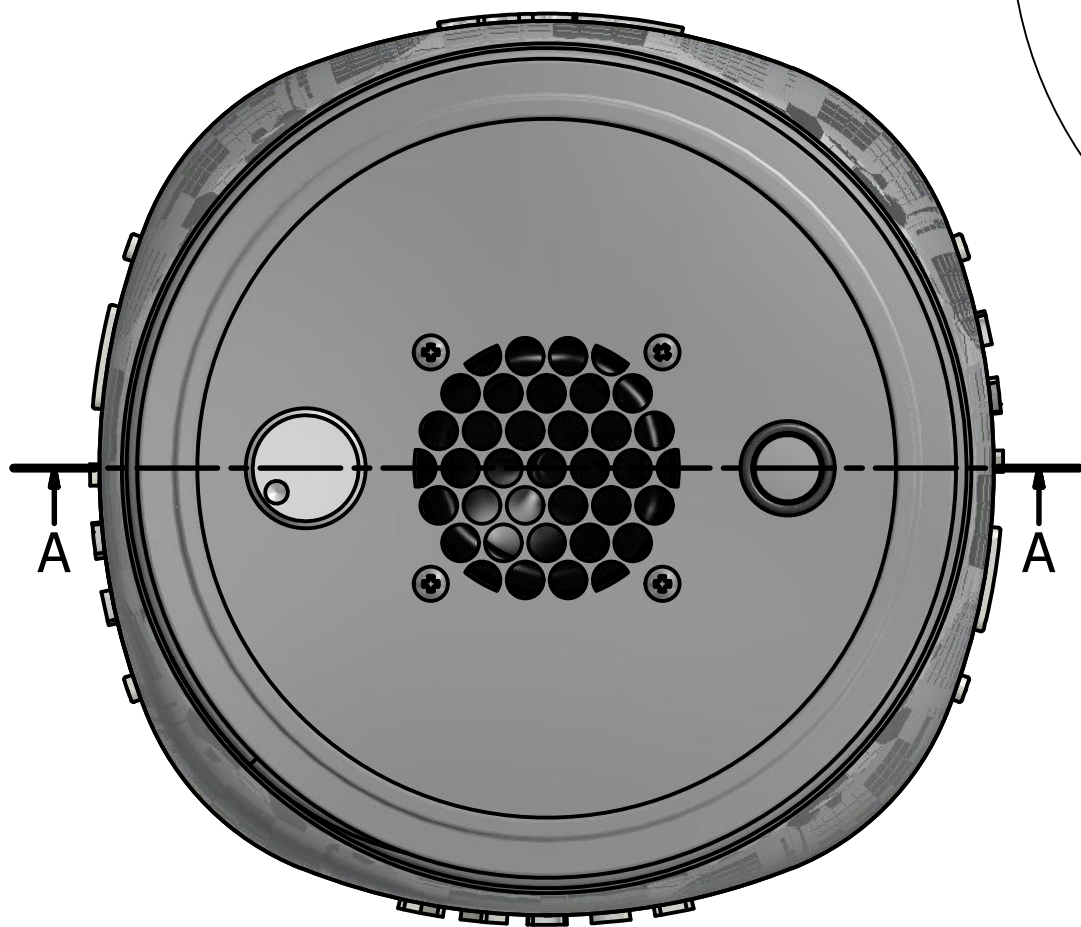
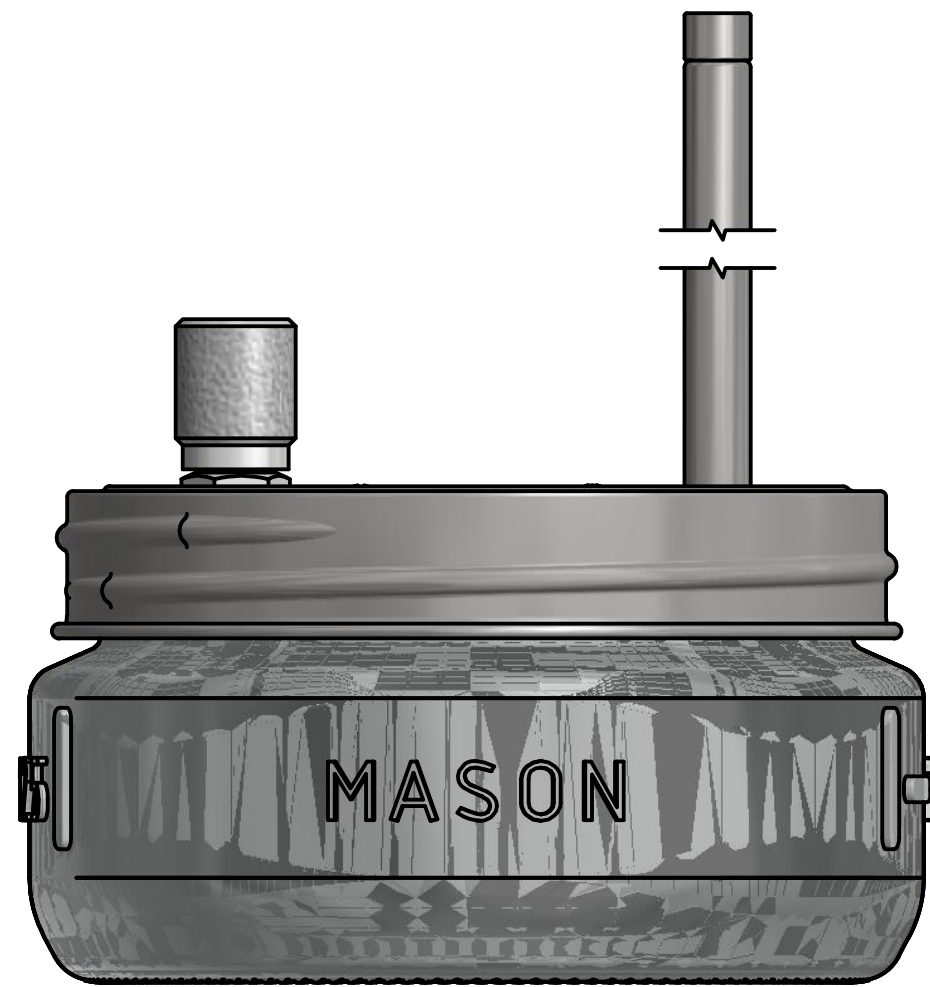
PARTS LIST				
ITEM	QTY	PART NUMBER	MATERIAL	DESCRIPTION
1	1	PR1016 Round PCB	Phenolic Resin	Custom 2-layer PCB
2	1	PR2019 Dayton Audio CE32A-4 CUSTOM PINS	Generic	Non-stock from Dayton/Parts Express
3	1	PR1025 Molded spacer	PC/ABS Plastic	Custom
4	1	PR1014 Sheet lid for small speaker	Stainless Steel 304	Custom, stamped.
5.1	1	PR2020 Pot Taiwan Alpha RV170SF-43-20F-A10K	Generic	Non-stock; 10K audio taper with switch
5.2	1	PR2013 Pot washer	Aluminum	Included with pot
5.3	1	PR2014 Pot nut	Aluminum	Included with pot
6	1	McMaster 92311A142 Knob set screw	Stainless Steel 18-8	Cup Point Set Screw, 6-32 Thread, 1/8" Long
7	4	McMaster 91772A075 Lid/Speaker screw	Stainless Steel 18-8	Pan Head Phillips Machine Screw, 1-72 Thread, 3/4" Length
8	1	McMaster 91828A211 Antenna nut	Stainless Steel 18-8	Hex Nut, M3x0.5 Thread Size, 5.5mm Wide, 2.4mm High
9	1	McMaster 92000A118 Antenna screw	Stainless Steel 18-8	Metric Pan Head Phillips Machine Screw, M3 Size, 8mm Length, .5mm Pitch
10	4	McMaster 91841A125 Lid/Speaker nut	Stainless Steel 18-8	Hex Nut, 1-72 Thread Size, 5/32" Wide, 3/64" High
11.1	4	GL2003 AA Battery Clip MPD BK-92	Steel, Nickel plate	Memory Protection Devices BK-92



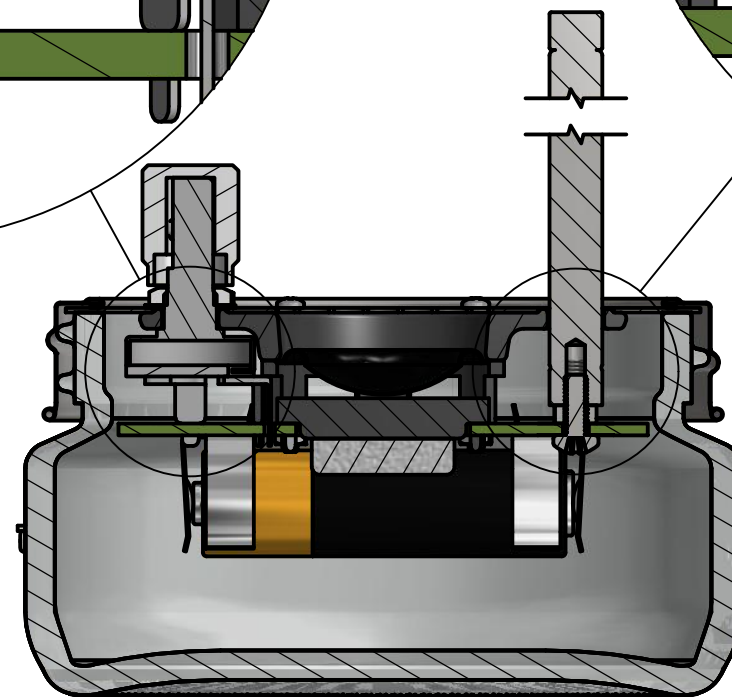
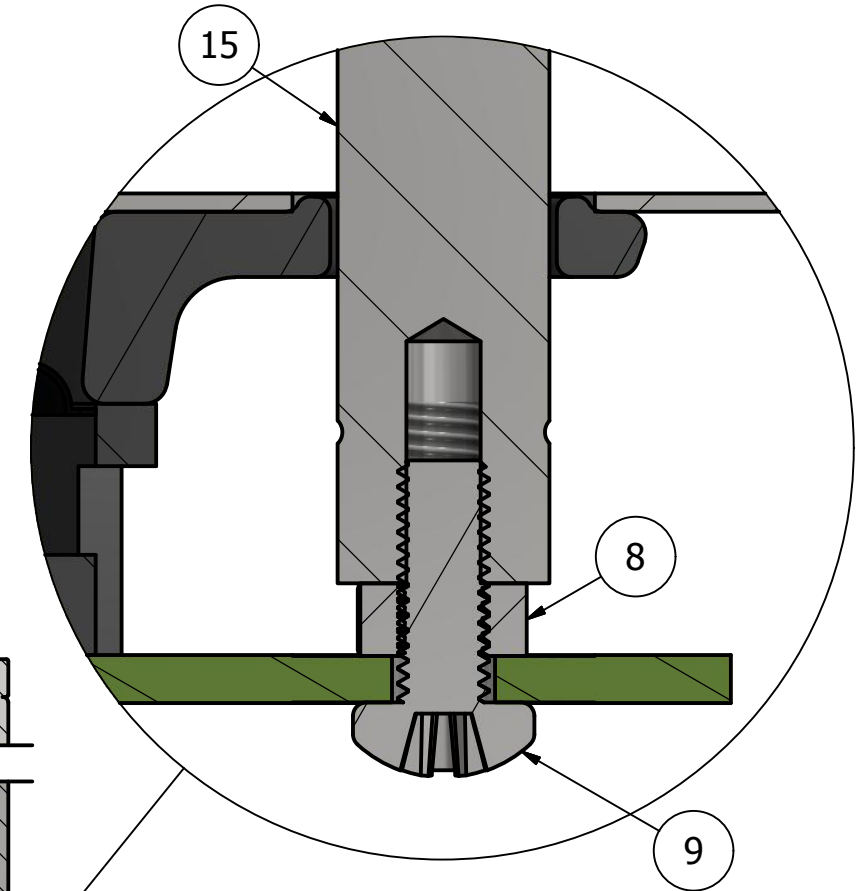
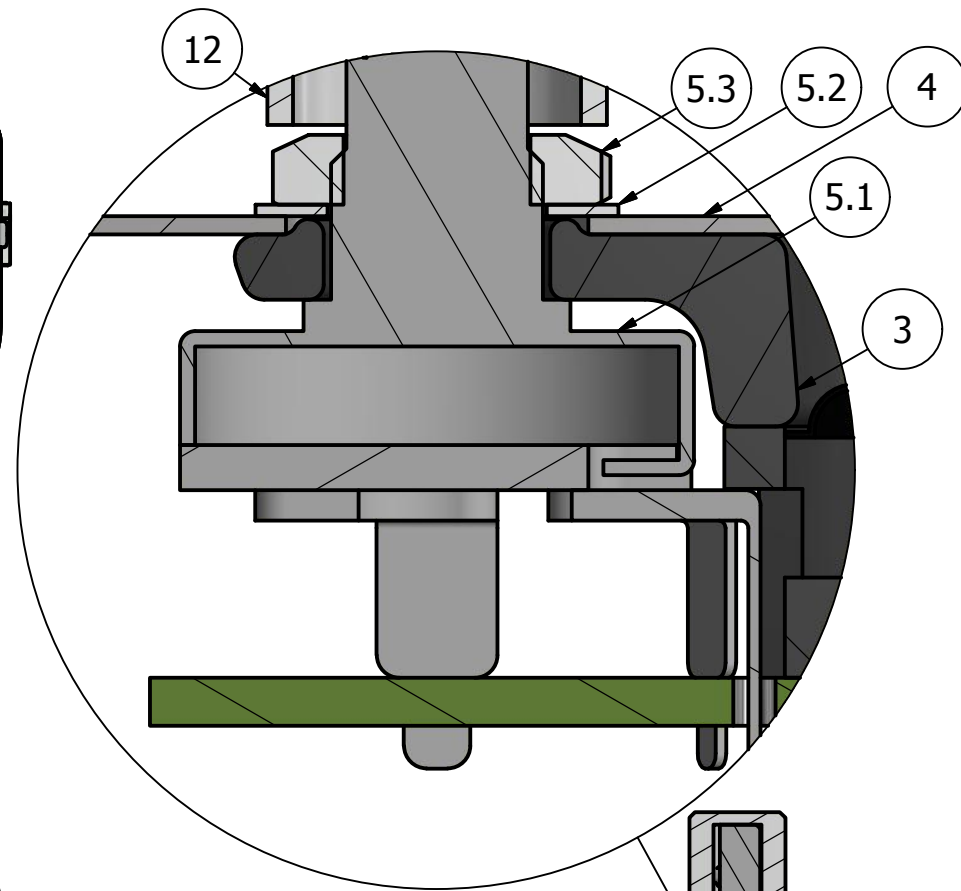
UNSPECIFIED DIMENSIONS IN mm STANDARD TOLERANCES: angular = ± 2° x.xx = ± .3mm x.xxx = ± .13mm x.xxxx = ± .013mm BREAK ALL SHARP EDGES	MATERIAL: FINISH: N/A	designed and drawn by SPENCER WRIGHT info, documentation & jokes at pincerw.com copy my designs if you must, but do let me know first :)	2014.02.11
	APR1006 Public Radio Assy.iam		SHEET 4 of 8



<p>UNSPECIFIED DIMENSIONS IN mm STANDARD TOLERANCES: angular = ± 2° x.xx = ± .3mm x.xxx = ± .13mm x.xxxx = ± .013mm BREAK ALL SHARP EDGES</p>	<p>MATERIAL: FINISH: N/A</p>	<p>designed and drawn by SPENCER WRIGHT info, documentation & jokes at pincerw.com copy my designs if you must, but do let me know first :)</p>	<p>2014.02.11 SHEET 5 of 8</p>
<p>APR1006 Public Radio Assy.iam</p>			



PARTS LIST			
ITEM	QTY	PART NUMBER	DESCRIPTION
1	1	PR1016 Round PCB	Custom 2-layer PCB
2	1	PR2019 Dayton Audio CE32A-4 CUSTOM PINS	Non-stock from Dayton/Parts Express
3	1	PR1025 Molded spacer	Custom
4	1	PR1014 Sheet lid for small speaker	Custom, stamped.
5.1	1	PR2020 Pot Taiwan Alpha RV170SF-43-20F-A10K	Non-stock; 10K audio taper with switch
5.2	1	PR2013 Pot washer	Included with pot
5.3	1	PR2014 Pot nut	Included with pot
7	4	McMaster 91772A075 Lid/Speaker screw	Pan Head Phillips Machine Screw, 1-72 Thread, 3/4" Length
8	1	McMaster 91828A211 Antenna nut	Hex Nut, M3x0.5 Thread Size, 5.5mm Wide, 2.4mm High
9	1	McMaster 92000A118 Antenna screw	Metric Pan Head Phillips Machine Screw, M3 Size, 8mm Length, .5mm Pitch
10	4	McMaster 91841A125 Lid/Speaker nut	Hex Nut, 1-72 Thread Size, 5/32" Wide, 3/64" High
12	1	PR1021 Knob	Custom, knurled, clear anodized
15	1	PR1018 Female Solid antenna	Custom, turned
6	1	McMaster 92311A142 Knob set screw	Cup Point Set Screw, 6-32 Thread, 1/8" Long



UNSPECIFIED DIMENSIONS IN mm STANDARD TOLERANCES: angular = ± 2° x.xx = ± .3mm x.xxx = ± .13mm x.xxxx = ± .013mm BREAK ALL SHARP EDGES	MATERIAL: FINISH: N/A	designed and drawn by SPENCER WRIGHT info, documentation & jokes at pincerw.com copy my designs if you must, but do let me know first :)	2014.12.07
	APR I006 Public Radio Assy.iam		SHEET 6 of 8