



115 V/230 V-0107

Thermal-Imager A4

User's Manual

www.thermocopier.com

Manufacturer:

KW Metalltechnik
Krönauer & Werner KG
Made in Germany

Distribution worldwide:

Panenka Design Produkte Muenchen
Hauptstrasse 7a
D-85649 Otterloh
Tel.: +49-(0)8104-8899606
Fax: +49-(0)8104-8899607
e-mail: info@pdpm.de
Web: www.thermocopier.com

With any technical problem, please contact your
local sales office:



Table of Contents

Thermal-Imager.....	1
Declaration of conformity	5
Important hints.....	7
Security advices	8
The right location	10
Unpacking and installation.....	11
Using the Thermal-Imager	12
Copying	13
Cleaning.....	14
Troubleshooting.....	15
Warranty	16
Technical Data.....	17

Declaration of conformity

The Thermal-Imager fits in design, manufacturing and delivery condition the safety regulations of the following EU-directives:

- DIN EN 60950-1: Safety of Information Technology Equipment
- DIN EN 55014-1/2: Electromagnetic compatibility - Requirements for household appliances, electric tools and similar apparatus
- DIN EN 50116: Information Technology Equipment - Routine electrical safety testing in production
- All PCB's used inside the device are RoHS compliant.

This device is made only for conventional use in studios and offices with regular environment and temperatures. **Children are not allowed to operate the device !**

Important note for users in the UK:

The cable of this device is fitted with an approved 13 Amp plug. It is essential to use this cable to connect the device to the outlet. If the fitted plug is not suitable for your wall socket, please replace the cable with an equivalent type with matching plug. Take care that your cable is fitted with an 13 Amp plug, if a plug without a fuse is used, make sure that the fuse in the distribution board is 13 Amp and the cable is able to handle this current.

Dear customer,

congratulations for your purchase of the Thermal-Imager.

It produces high quality stencils and is nearly free from maintenance compared with traditional products. Its high copying quality and nearly maintenance-free operation makes the Thermal-Imager the best convenient copier solution for thermal copies.

This manual introduces security advice, hints for installation and operation as well as maintenance information to you. Please spend a few minutes reading it to keep copy results as good as possible and to avoid risks for your health and/or damages of the device .

The following symbol indicates an important hint for your safety !

Disregarding this subject may cause physical harm to you or damage to the device !



Important hints

Before operating your Thermal-Imager, check that the operating voltage indicated at the typeplate is identical with the voltage of your local power supply. If not, please consult your local sales office.

- Place the Thermal-Imager on a flat, stable and fire proof surface. There must be sufficient (min. 10 cm - 4 inch) room around the device to ensure adequate ventilation !



- The Thermal-Imager produces heat during operation. Especially when multiple copies in a short time have been made, parts inside the device may be hot !
Do not touch parts under the top cover (e.g. glass cylinder) while fans are working !

- When the Thermal-Imager is not switched off (standby mode), it is still consuming some power. To avoid wasting of energy, please turn the main switch to "0" after the cooling-down-process (fans working) if you don't use your Thermal-Imager anymore. To disconnect the device from the power supply completely, remove the AC power plug from the wall socket.



- Never operate the Thermal-Imager without using a suitable carrier !

Security advices

Your Thermal-Imager has been designed and tested to meet strict safety requirements. Attention to the following information will ensure the continued safe operation of your device.

Electrical Safety

- Use only the power cord supplied with your system.
- Plug the power cord directly into a properly grounded electrical outlet. If you do not know if an outlet is grounded, ask an electrician to check the outlet.



Please check if the voltage of your device, as mentioned at the manufacturers label on the back, meets the voltage of your power supply. Your electrical outlet needs an adequate fuse (see ‘technical data’ at the end of this manual).

If you use an extension cord make sure that it's able to handle the current mentioned above.

Unplug power cord during longer periods of being non present (e.g. overnight)! But make sure that this doesn't happen when machine is still in cooling down process!

Warning

- Avoid the potential of electrical shock by ensuring that the system is properly grounded.

- Electrical products may be hazardous if misused.
- Do not place the system in an area where people might step on the power cord.
- Do not place objects on the power cord.
- Do not block the ventilation openings. These openings are intended to prevent overheating of the system.
- Do not drop paper clips or staples into the system.

Warning



- Do not push objects into slots or openings on the system. Making contact with a voltage point or shorting out a part could result in fire or electrical shock.
- If you notice noises or others that are not associated with your normal system operation:
 1. Turn off the system immediately.
 2. Disconnect the power cord from the electrical outlet.
 3. Call an authorized service representative to correct the problem.

Warning



Before opening the cover, always make sure, that the device is switched off and **the power cord is disconnected from the electrical outlet!**

The right location



Keep the Thermal-Imager out of direct sunlight. Direct exposure to the sun or excessive heat may cause damage to the unit.

Do not install the Thermal-Imager close to a Radiator or an air condition.

Do not install the Thermal-Imager in a humid or dusty place.

Place the Thermal-Imager securely on an even, flat and fireproof surface.

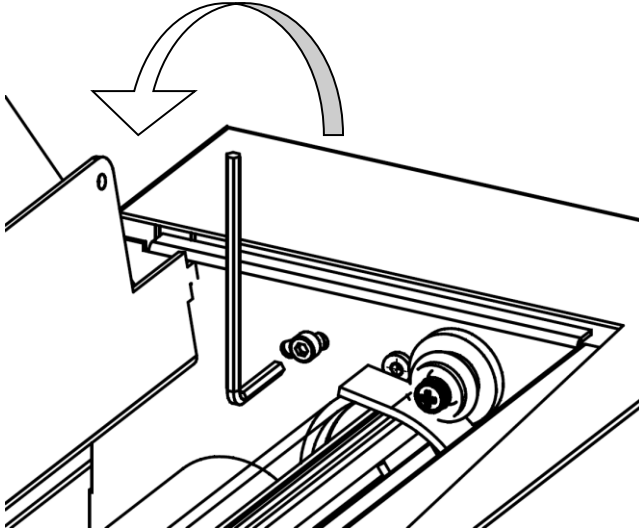
Tilted or uneven surfaces may cause mechanical or paperfeeding problems.

Retain the Thermal-Imager cardboard box and packing materials for shipping purposes.

There must be sufficient (min. 10 cm - 4 inch) room around the device to ensure adequate ventilation !

Unpacking and installation

(please read before first operation!)



- 1.) Press **-Push-Button-** to open cover
- 2.) Loosen both red marked allen-screws a half turn (counterclockwise) according picture above with attached allen-key; if the washer can rotate easily it's fine!

General rule: Lefty loosy, righty tidy... ;-)

- 3.) Then remove both black rubber-stripes by pressing the glass-tube backwards.
- 4.) Store all packing-materials as carton, foam-parts and the allen-key if you want to ship the copier in future!

5.) Always insert the waxed thermal units into the carrier when making tattoo-stencils; this helps to keep the machine clean inside!

Using the Thermal-Imager

Power up

1. Press the main switch on left of the rear side to '1'. The green LED at the front will light. This shows that the device is ready for operation.

Speed control

2. Having no own experience, start with a medium setting ('#5') and watch the result. Lower numbers produce darker, higher



numbers more pale copies. During the illumination process the rate of feed can be changed.

Insert document

3. Place the carrier with the opal side up. Then slide it into the slot along the insert guides as far as possible.



The green LED

flashes



The device will retract the carrier and start the illumination automatically. Smaller documents should be placed in the middle of the slot.

Cooldown-Process

4. After the illumination process the lamp turns off by itself.

Do not switch off the device until the fans have stopped working. This is important to ensure that the heat produced during operation is removed from the inner side of the device. Cooling time is approx. 10 minutes.

Copying

Please refer to the separate manual to find useful hints regarding the masters and how to use them correctly ! For best results only use original materials.

Carriers

To avoid jamming, it is necessary to use a carrier for the copying process. Please take care, that your carrier is able to withstand the heat of the process. Best choice is to use the carrier, that came together with your Thermal-Imager. It is specially made for clear and sharp copies and it is able to bear the heat.

As carriers are mentioned to be wearing parts, you must replace them at time.

Your local sales office should be able to deliver suitable spare parts, just ask them !

Number of documents

Because of the heat the process generates we recommend not to copy more than 8 documents in one step. You should make a break of 15 sec. between each document, that helps to spread the heat uniformly.

Document Size

You can insert documents with a max. size of 210 x 300 mm (8.5" x 11").

Cleaning

Cleaning of the glass cylinder

1. Moisten a cotton swab with isoprophyl alcohol (95%).
2. Open the Thermal-Imager cover with a short push and pulling the cover against the resistance of the closing magnets afterwards.
3. Wipe the feeding rollers by moving the swab from side to side. Rotate the rollers forward pressing the inner button (A) and repeat the above cleaning procedures until the rollers are clean.
4. Close the Thermal-Imager. Your device is now ready for use.

Cleaning of the housing

You can clean the shell carefully using a moistured cotton swap and a little bit of washingup liquid.

Troubleshooting

Green LED doesn't light:

Main switch set to ' 0 '	Switch to ' 1 '
Power cord not properly connected	Connect to a suitable electrical outlet
Fuse of the electrical outlet broken	Replace or set to ' ON ' Take care of the correct current ratings !
Electronic unit inside the Thermal-Imager defect	Contact your local sales office

The illumination lamp doesn't work, but green LED lights:

High temperature inside the device - thermal sensor inside has opened	Sensor switches on by itself, just wait up to 20 minutes until device has cooled down
Lamp is defect/broken	Contact your local sales office for replacement
Fuse of the lamp is broken	Replace with same type and value (see chapters ' technical data ' and ' security advices ')

After copying, motor and fans are carrying on to work:

Normal operation; motor runs for 5 minutes, fans run for 10 minutes after the last copy	Do not switch off the device ! Cooling in progress !
---	--

Originals are jammed:

No or wrong carrier was used, carrier doesn't bear the heat	Always use a carrier, take care it is made from suitable materials
---	--

Warranty

The information contained in this document is subject to change without notice. Every Thermal-Imager has passed several tests (function, proper operation, electrical safety) while/after manufacturing. Thus we guarantee for a period regulated by law (ask your sales office) after buying for the proper operation of the device.



Not covered by this warranty are all parts made of glass (lamp, glass-roller) and all damages caused by shipping.

In case of malfunction please contact your local sales office first. In case you have to send back the unit to your sales office please use the original cardboard box and foam parts. Do not forget to install the transportation locks !

The manufacturer shall not be liable for errors contained in this manual or for incidental or consequential damages in connection with the furnishing, performance or use of this material.

Technical Data

	Europe, Australia ...	USA, Canada ...
Nominal voltage	230 V~ /50 Hz	115 V~/ 60 Hz
Nominal current	6 A	11.8 A
Internal fuse (for lamp only)	10 At – 6.3*32 mm	16 At – 0.25*1.25 inch
Power consumption (max.)	1350 W	1350 W
Fuse for electrical outlet	16 A	20 A

Hight	115 mm	4.5 inch
Depth	200 mm	7.9 inch
Width	450 mm	17.7 inch
Weight	6 kg	13.25 lbs

Size of original (max.)	210 x 300 mm	8.5 x 11 inch
Recommended size of carrier	230 x 350 mm	9.1 x 13.8 inch

Design	Metal case, microprocessor control, dual fans, automatic overheat protection, CE	
--------	--	--