



safe sleeper™ universal bed rail

READ ALL INSTRUCTIONS BEFORE FIRST USE.

Ages 2 Years – 6 Years

CAUTION: ADULT ASSEMBLY REQUIRED.

⚠ WARNING: IMPORTANT! KEEP FOR FUTURE REFERENCE!

- **SUFFOCATION AND STRANGULATION HAZARD.**
- **Gaps in and around bed rails have entrapped young children and killed infants.**
- **NEVER use with children younger than 2 years old. Use ONLY with older children who can get in and out of adult bed without help. NEVER use in place of crib.**
- **NEVER use unless bed rail is tight against mattress, without gaps, and at least 9 in. from headboard and footboard. Do not fill gaps with pillows, blankets, or other items that can suffocate children.**
- **NEVER use on toddler bed, bunk bed, waterbed, or bed with inflatable mattress. Use ONLY on adult bed.**
- **Discontinue use if damaged, broken, or if parts are missing.**

ASSEMBLY INSTRUCTIONS

Please follow these four easy steps to assemble this rail very quickly and **WITHOUT TOOLS!**

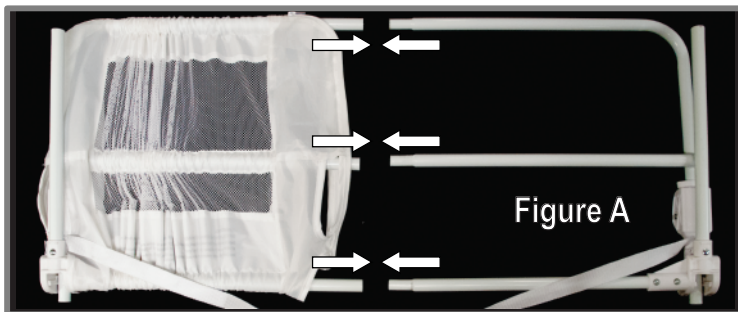


Figure A

- 1** Lay the 2 halves of the rail on the floor or table, so that the 3 Cross Bars line up (Figure A). **NOTE: Make sure Anchor Straps are not twisted.**

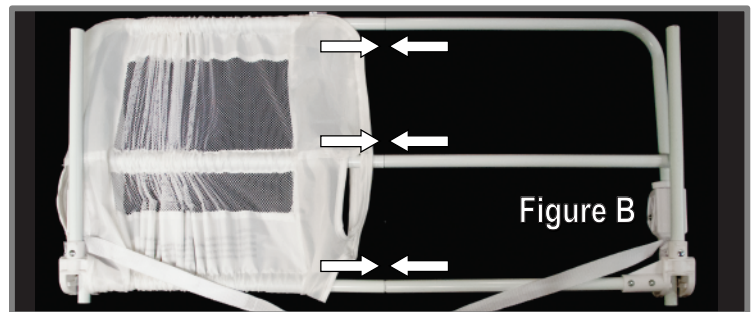


Figure B

- 2** Connect the 3 Cross Bars by pressing them firmly into place (Figure B).

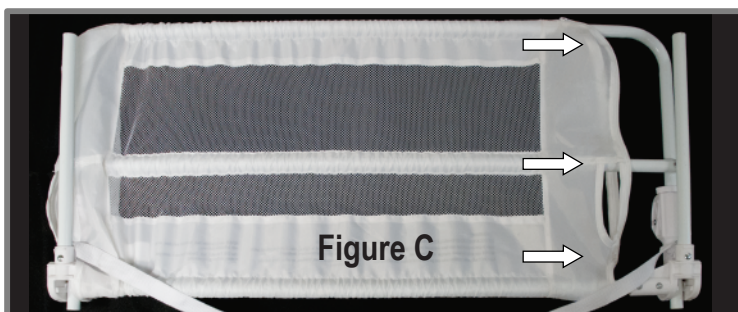


Figure C

- 3** Slide Mesh Cover across the entire rail (Figure C), then zip it closed (Figure D).



Figure D



Figure E

- 4** Open Hinged Legs until hinges lock firmly into place (Figure E). Assembly is now complete. Proceed to installation instructions.

INSTALLATION AND USE INSTRUCTIONS FOR BEDS WITH BOX SPRINGS

01. Extend Anchor Strap and Plate to maximum length.
02. Insert Hinged Legs into place between mattress and box spring.
03. Extend Anchor Strap and Plate so that Anchor Plate is in position for tightening. (Figure F)
04. Pull red striped tag toward you while pushing the Anchor Plate forward with opposite hand, pressing Anchor Plate firmly against the mattress and box spring. (Figure G)
05. Release grip on the red striped tag and pull the lower strap toward you until Anchor Plate is snug against mattress and box spring. (Figure H)

IMPORTANT: To insure bed rail is tight as possible against mattress and box spring, raise the mattress and tighten the strap slightly. Then lower the mattress and pull the anchor plate back and firmly into place. Repeat this step as needed and until tight.

06. Tuck remaining length of strap under the mattress, out of the way of children.
07. **Lowering rail after installed on bed:** This rail is designed with childproof hinges for added safety. Therefore – to lower your rail - you must raise EACH (both left and right) spring-loaded hinge at the same time. The hinges each display an arrow pointing upwards in the direction you must raise the hinge to disengage it. Once each spring is raised, you may gently lower the rail with ease. This will allow you to easily change or make the bed. When you raise the rail back to the upright position, the locks will automatically pop back into place for safety.

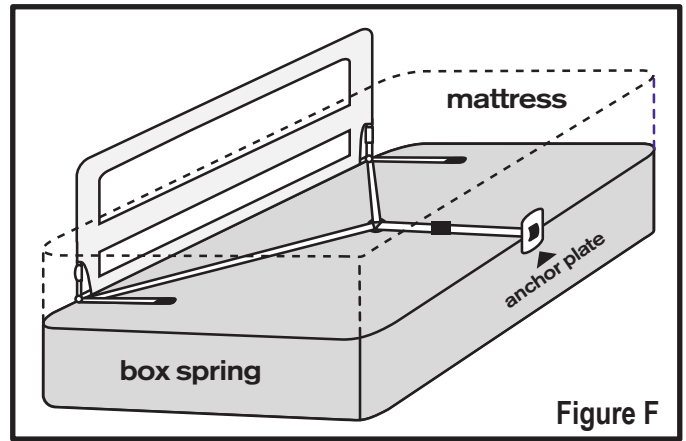


Figure F

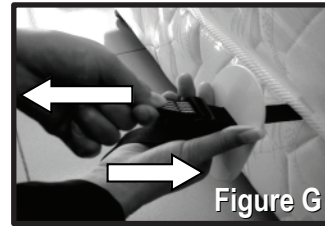


Figure G

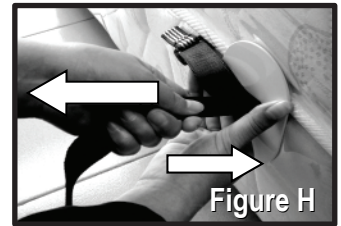


Figure H

INSTALLATION AND USE INSTRUCTIONS FOR RECESSED PLATFORM STYLE BEDS

01. Anchor Strap & Plate are not needed for platform beds which have a solid platform that is recessed at least 3 inches below the top of the bed frame. Tuck Anchor Strap & Plate under the mattress, out of the way of children.
02. Insert Hinged Legs into place between mattress and recessed platform bed support. (Figure I)
03. Make sure that rail is firmly in place between mattress and outside of bed frame. (Figure J)

IMPORTANT: Always use a platform style mattress designed to fit your recessed platform bed. Do not use a mattress that is too small (either in length or width), because this may create dangerous gaps between the sides or ends of the mattress and the inside edges of the recessed platform bed frame. Tuck straps under mattress and out of the way of children.

04. **Lowering rail after installed on bed:** This rail is designed with childproof hinges for added safety. Therefore – to lower your rail - you must raise EACH (both left and right) spring-loaded hinge at the same time. The hinges each display an arrow pointing upwards in the direction you must raise the hinge to disengage it. Once each spring is raised, you may gently lower the rail with ease. This will allow you to easily change or make the bed. When you raise the rail back to the upright position, the locks will automatically pop back into place for safety.

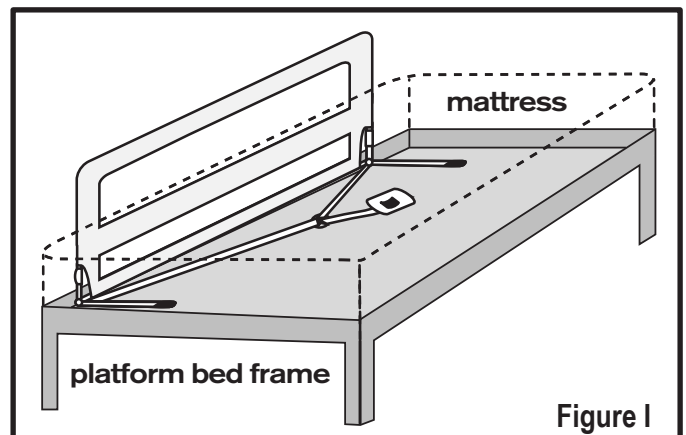


Figure I



Figure J

CLEANING INSTRUCTIONS

Machine wash cold and hang dry, or surface wash with damp cloth.