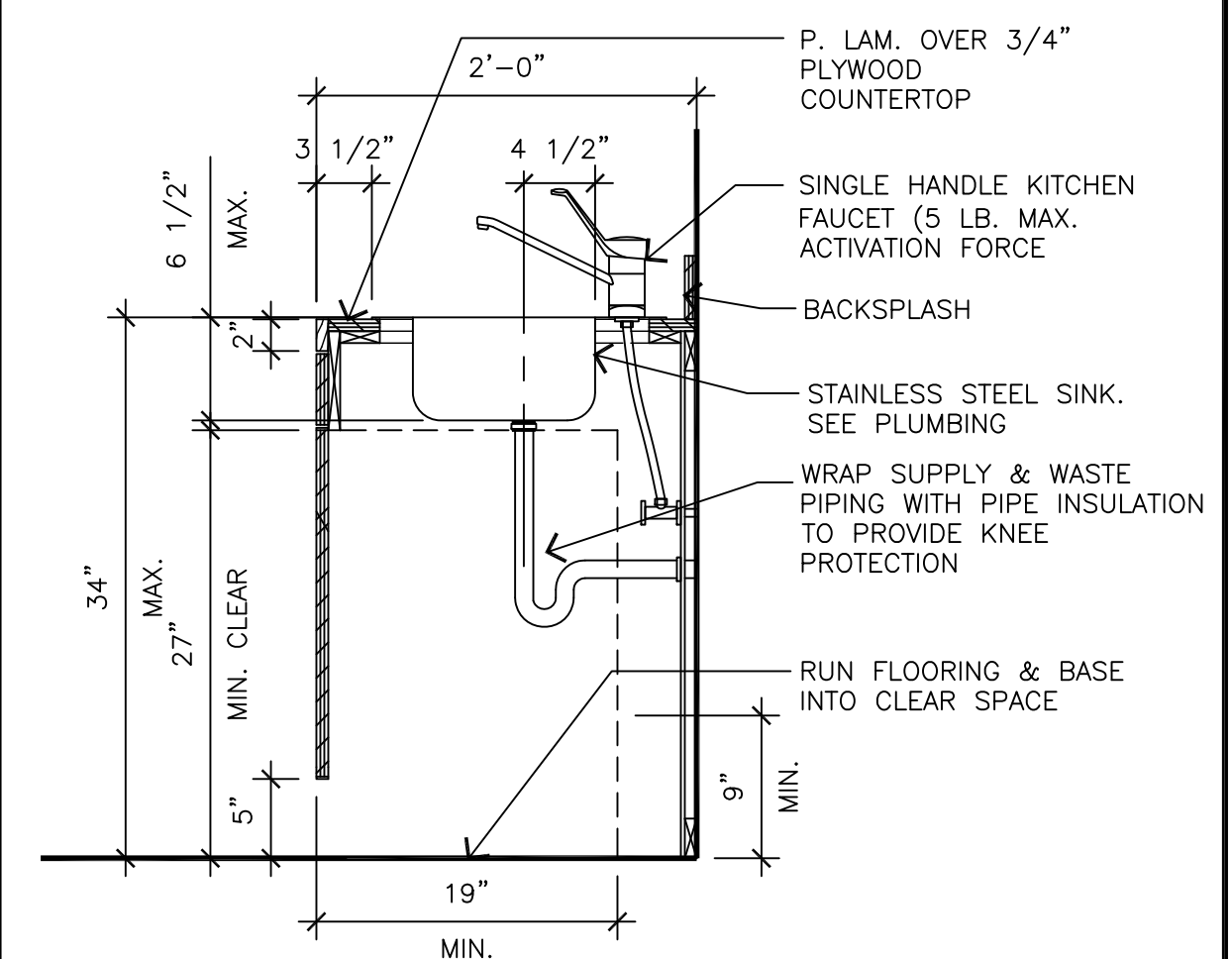
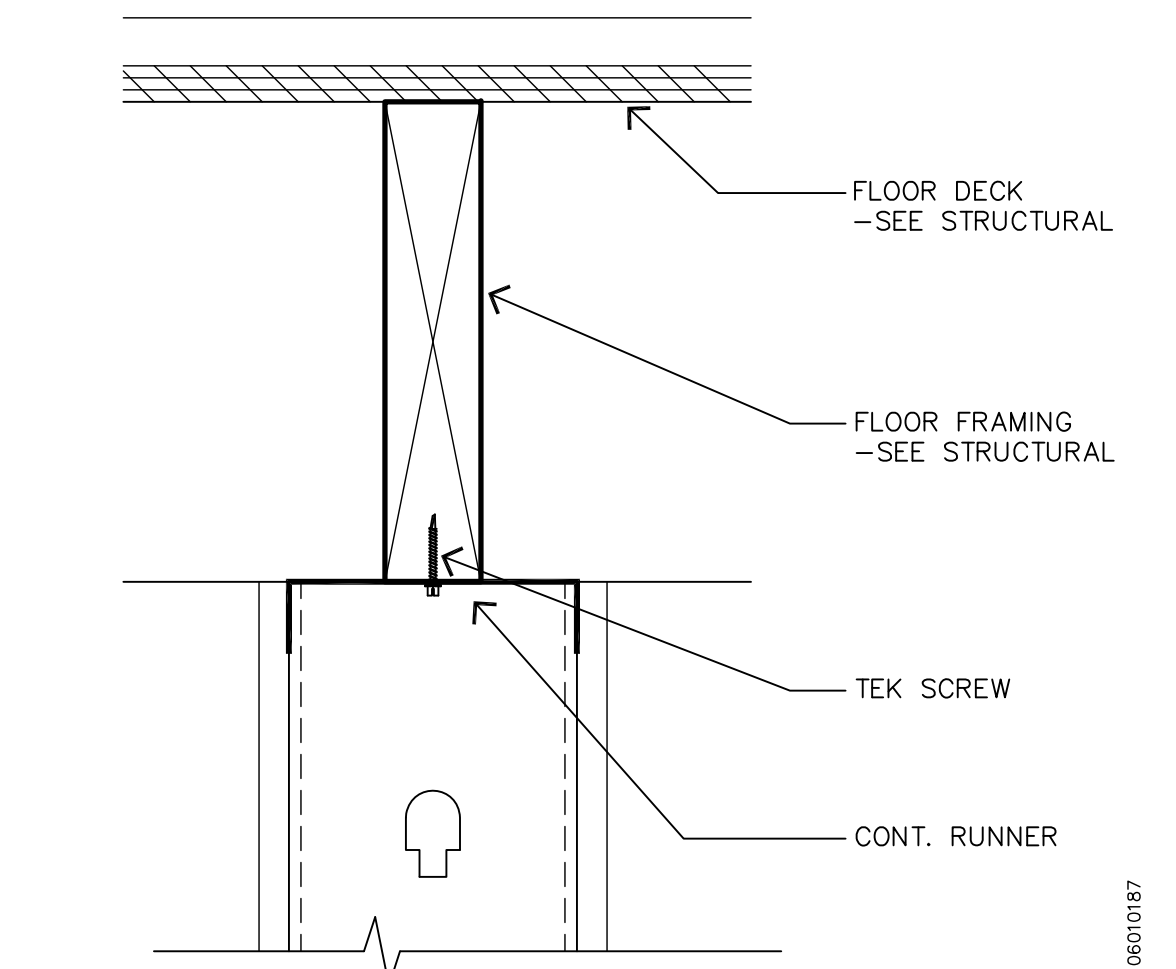


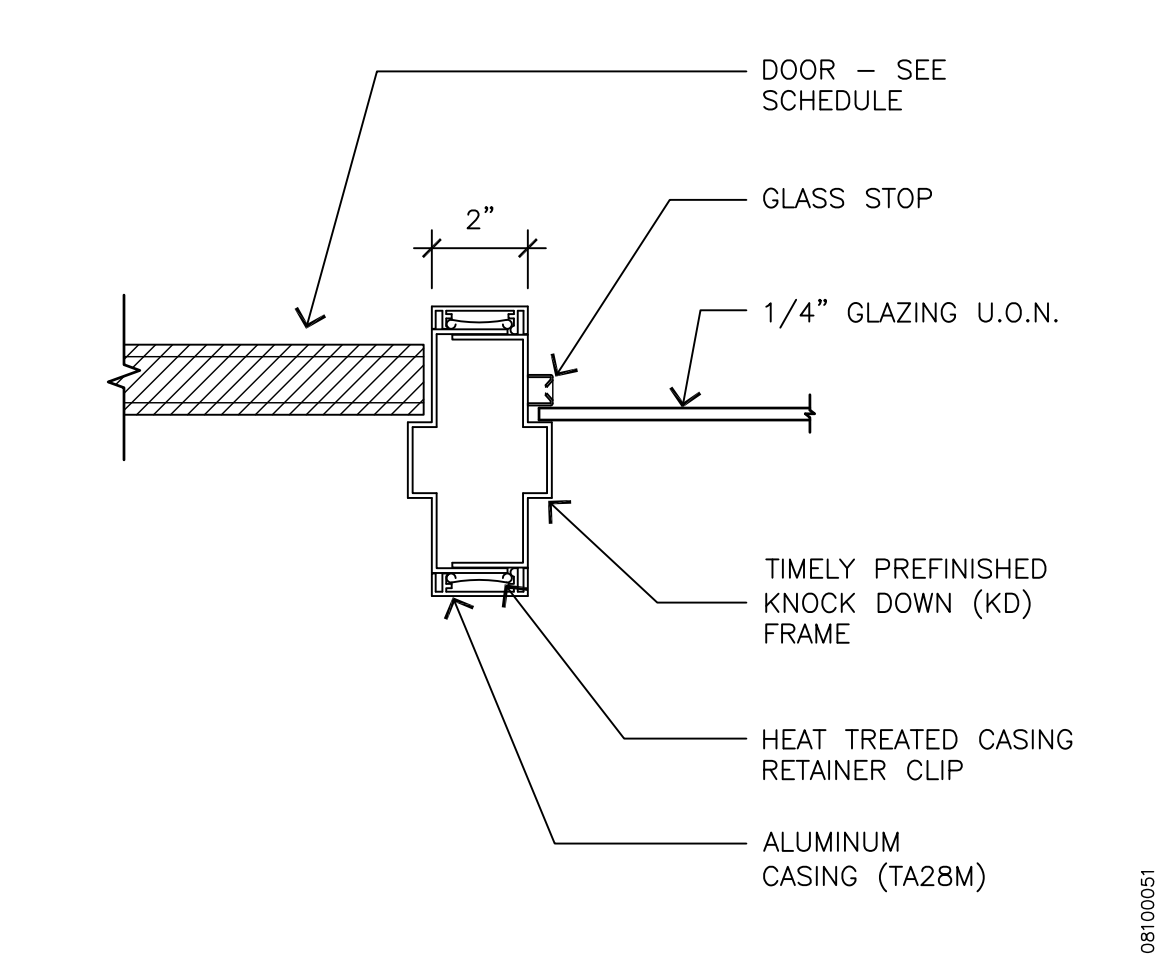
12 1-1/2" INSTALL HEIGHTS



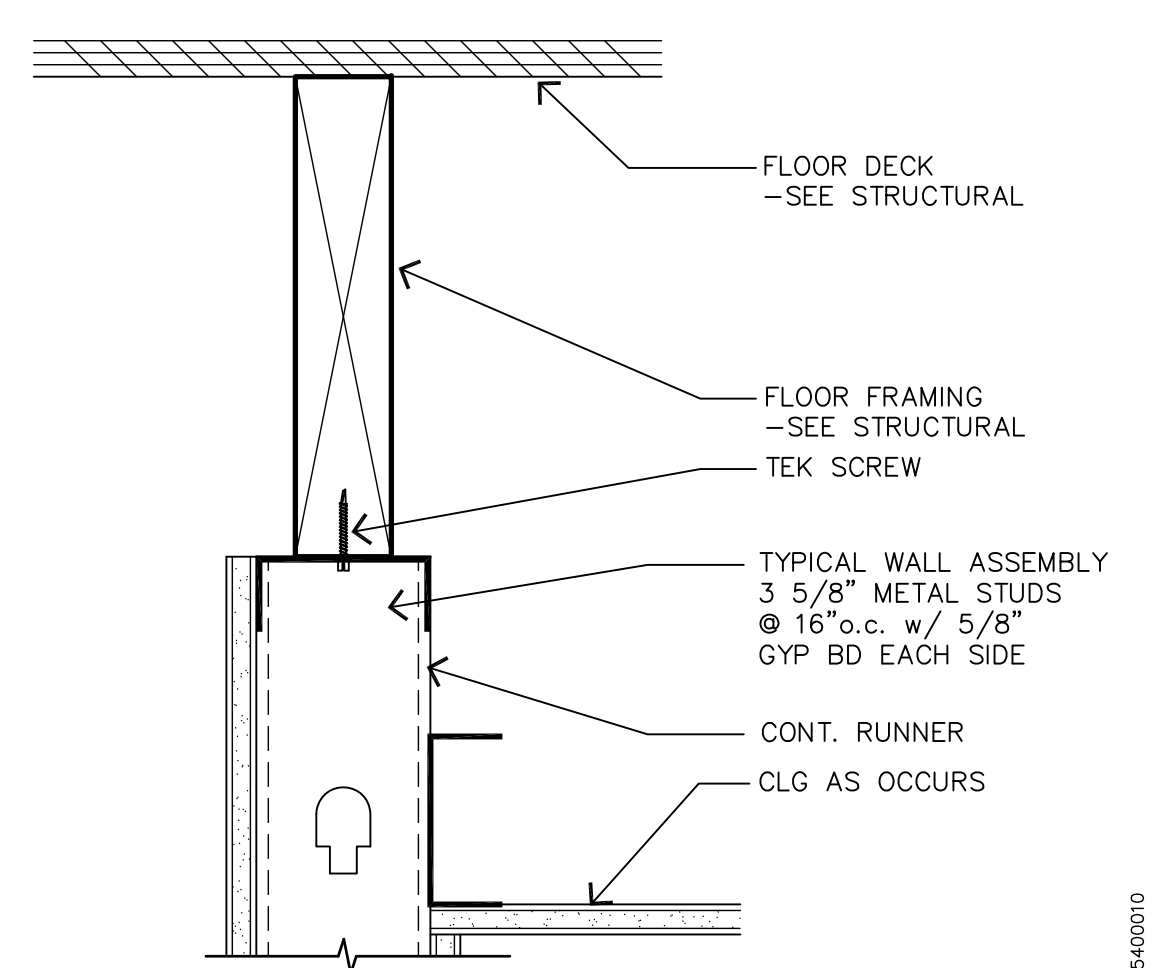
11 1" SINK CABINET



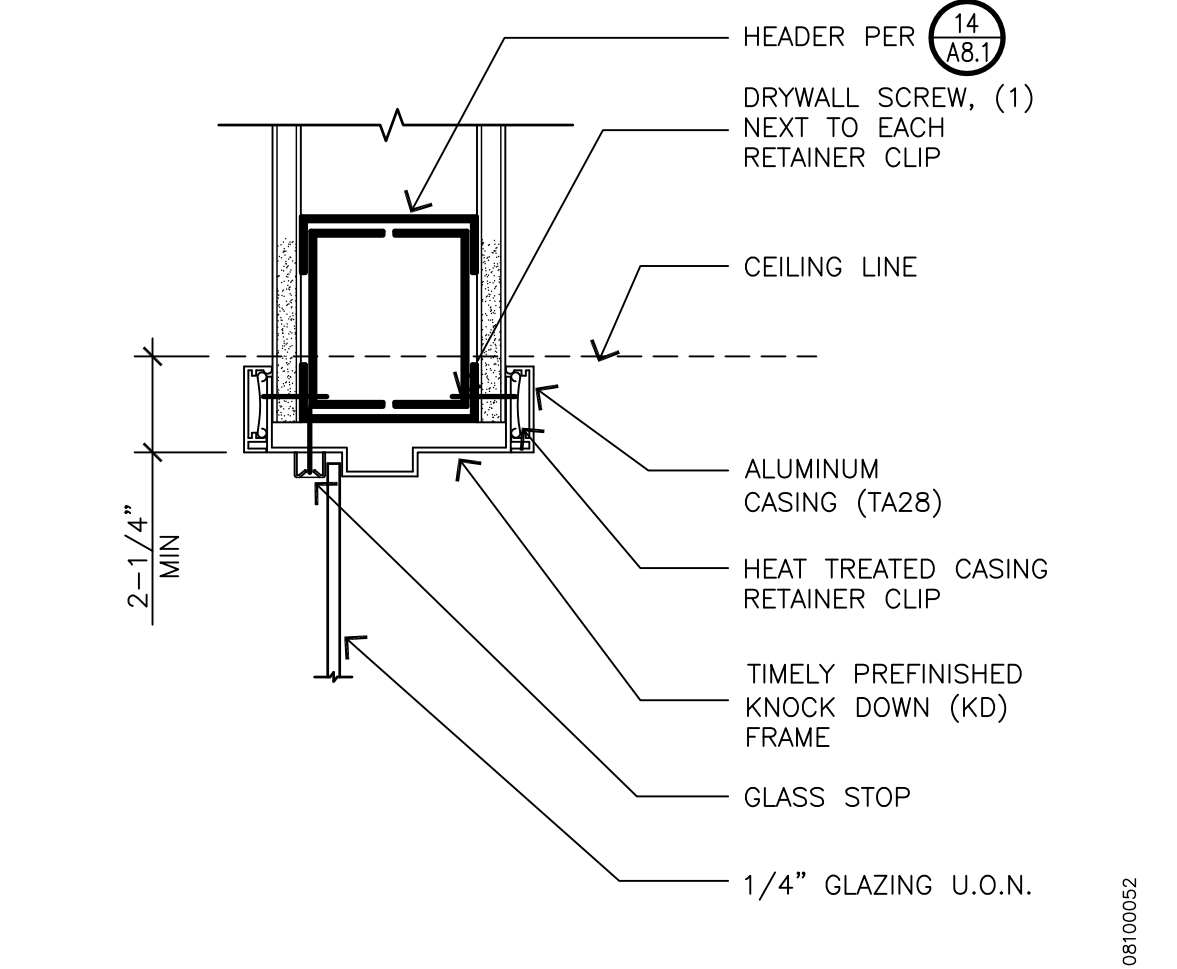
8 3" WALL @ FLOOR DECK



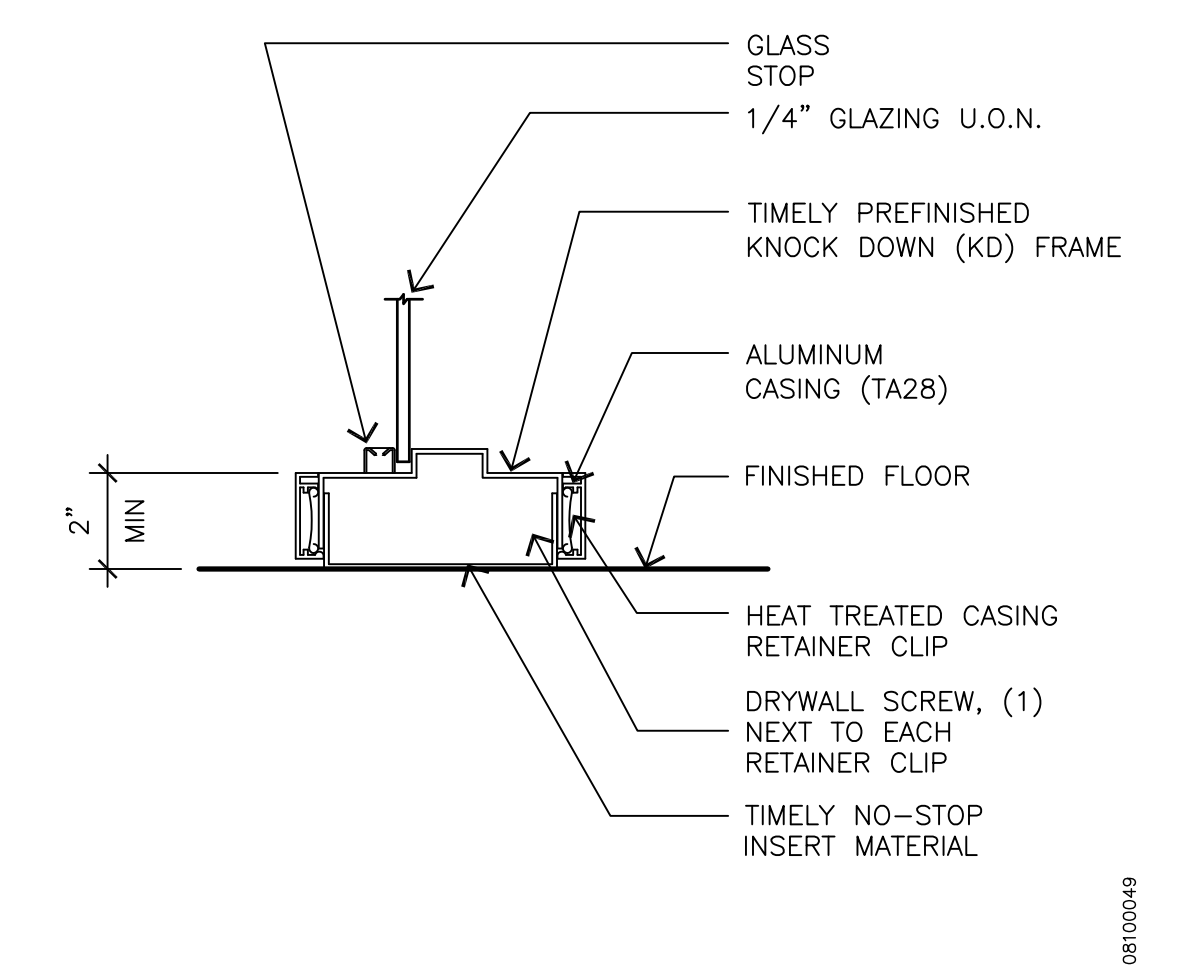
7 3" TIMELY MULLION



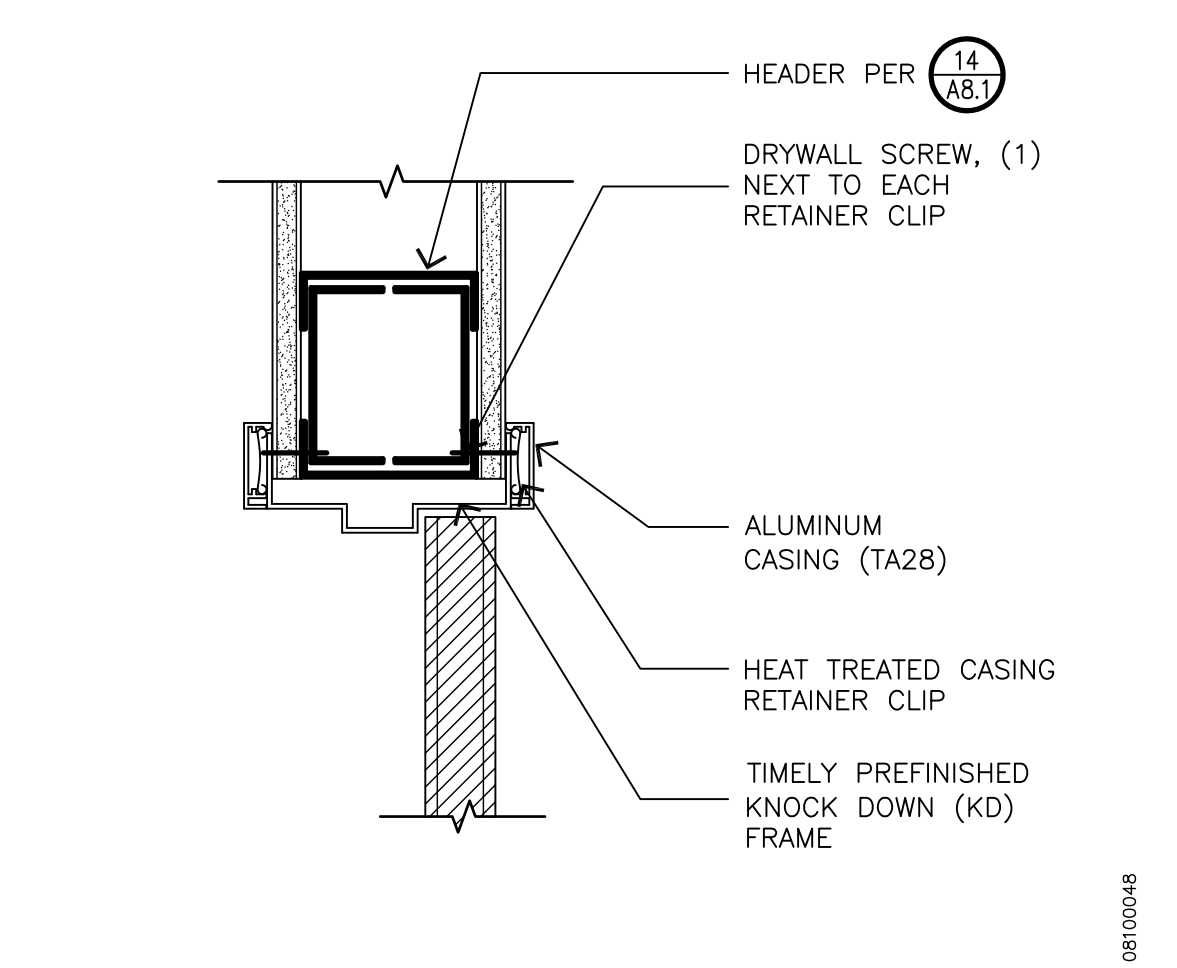
6 3" PARTITION @ CLG



4 3" TIMELY LITE @ HEAD

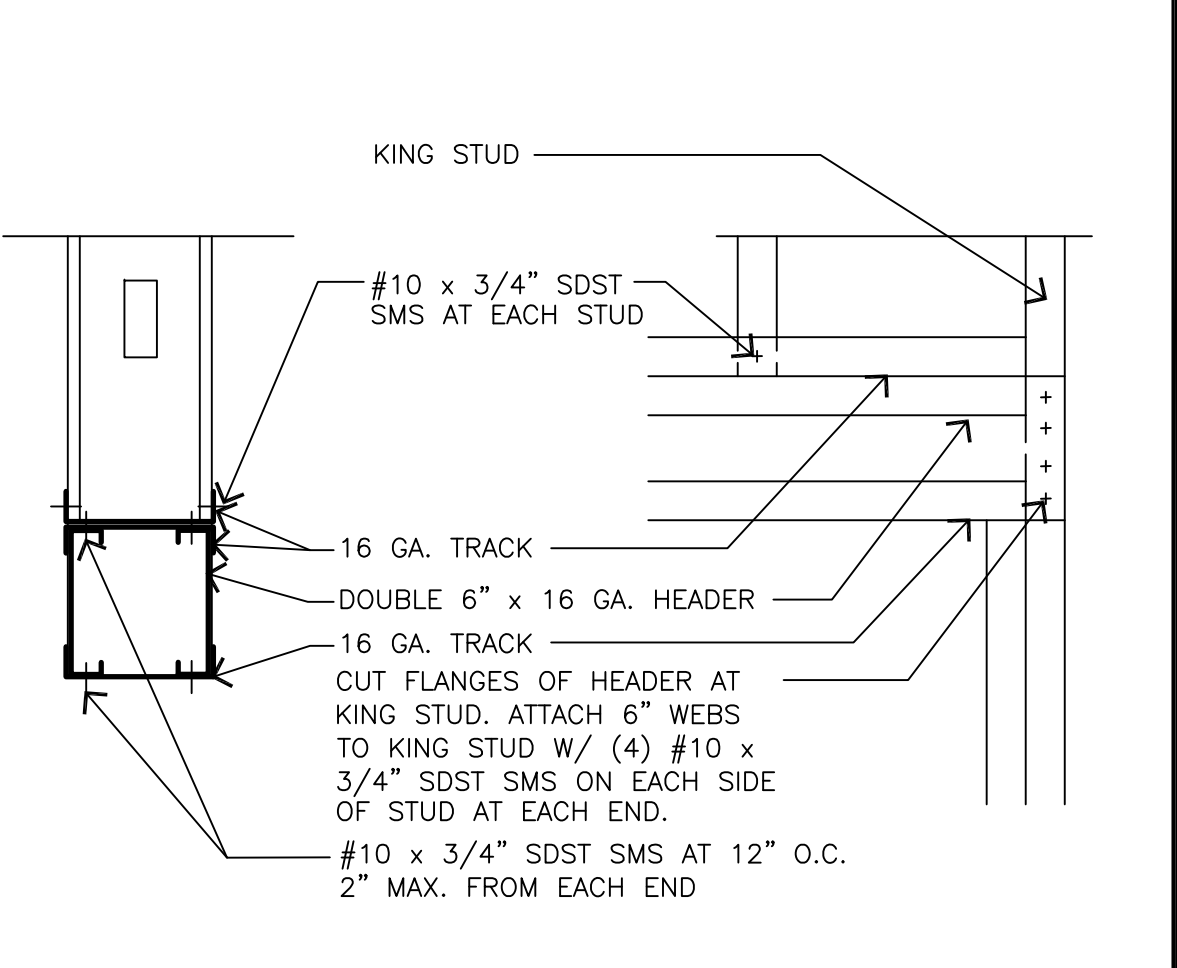
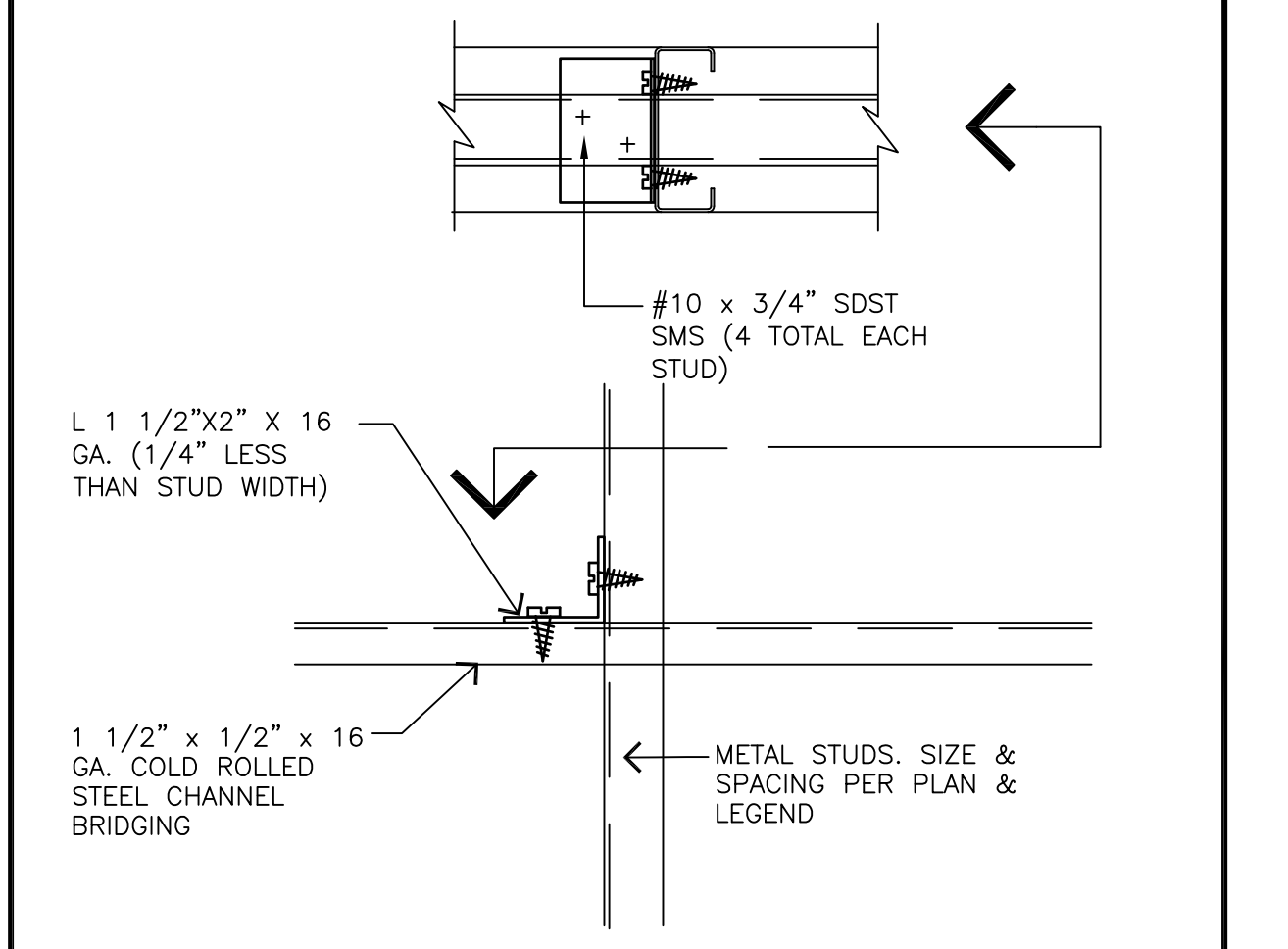


3 3" TIMELY SILL



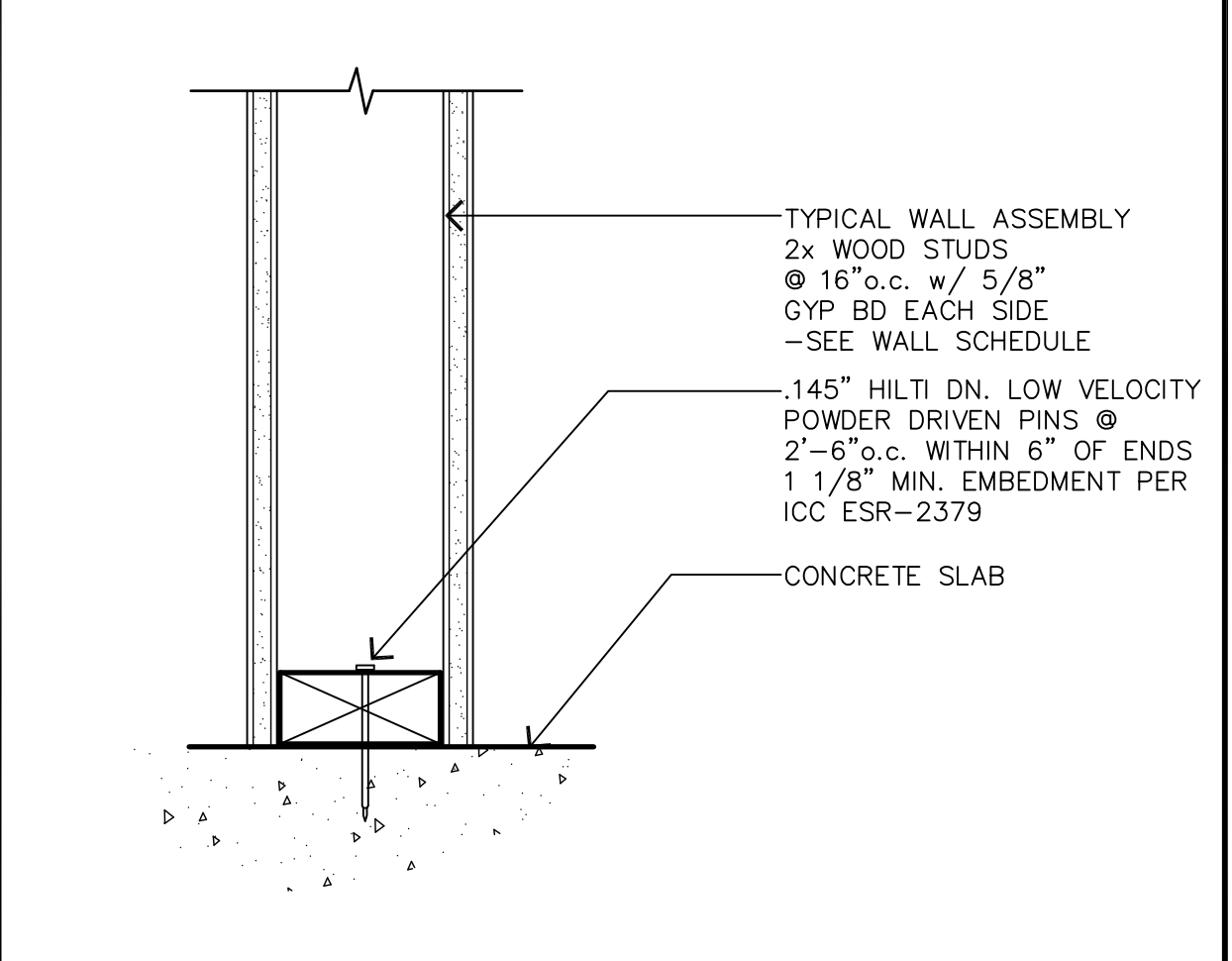
2 3" INTERIOR DR FRAME

19 N.T.S. TYPICAL METAL STUD FRAMING

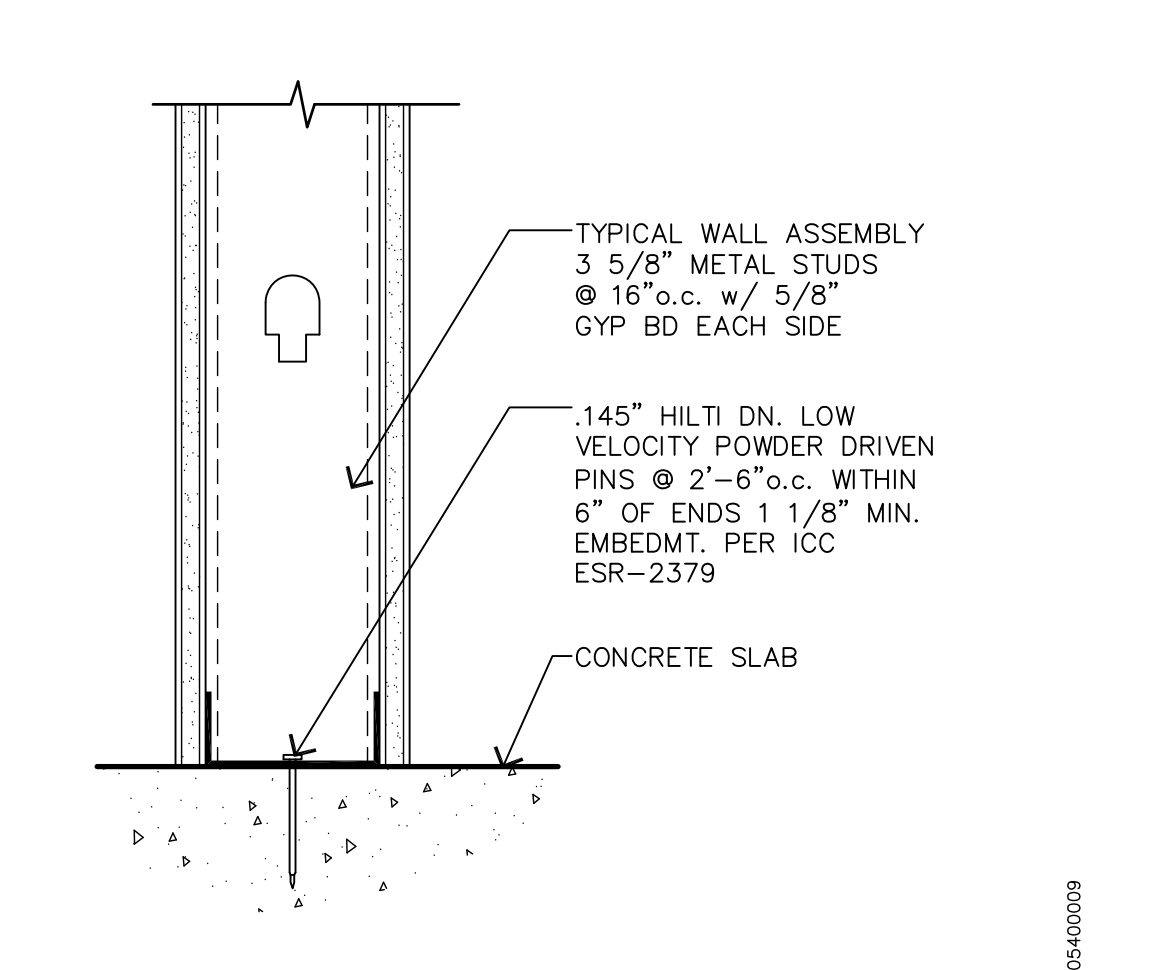


14 1-1/2" FRAMING @ HEADER

10



9 3" PARTITION @ SILL



5 3" PARTITION @ SILL

18 3" WALL BRIDGING

METAL STUD SCHEDULE	
MAX. HT OF WALL	STUD SIZE
14'-4"	3 5/8" x 25 GA.
16'-5"	3 5/8" x 20 GA.
18'-0"	3 5/8" x 18 GA.
19'-7"	3 5/8" x 16 GA.
20'-0"	3 5/8" x 14 GA.

- NOTES:
- ATTACH STUDS TO SLIP TRACK AND TRACK W/ ONE NO. 12-14 SCREW EA. MTL STUD FLANGE. (4 SCREWS TOTAL EA. MTL. STUD)
 - ATTACH SHEET ROCK TO METAL STUDS W/ #6-20x1" BUGLE HEAD TYPE 5-12 SCREW. SPACE SCREWS AT 6" O.C. AT EDGES AND 12" O.C. IN FIELD.
 - STUDS SPACED AT 16" O.C.
 - MAX WALL HEIGHT: 5 PSF AT L/240
 - STEEL 33 KSI EXCEPT 16 GA. & 14 GA. 50 KSI

17 N.T.S. METAL STUD SCHEDULE

L Street Architects
 1406 L Street
 Modesto, California 95354
 209-575-4445 209-575-4374 fax
 www.lstreetarchitects.com



TENANT IMPROVEMENT FOR:
GRANITE REALTY
 CORNERSTONE MALL
 2000 BRIGGSMORE, SUITE 1
 MODESTO, CALIFORNIA

REVISIONS:

DRAWN:	G. MEJIA
DATE:	7/3/2010
FILE:	445-A81
JOB:	51,945
PRINT DATE:	

DETAILS

A8.1