

## CONSTRUCTION PLAN

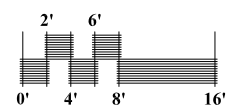
### MATERIALS LIST

CONCRETE:  
COLOR AND FINISH

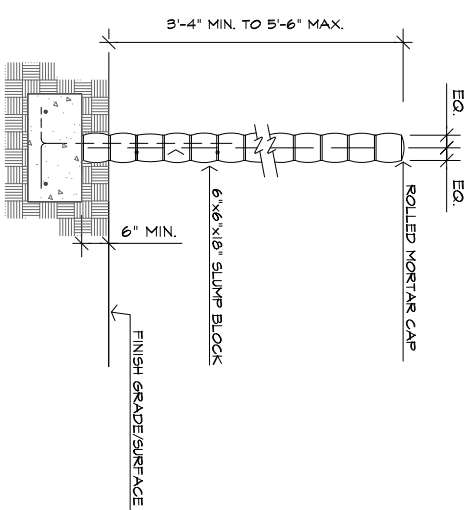
BRICK:  
TYPE AND COLOR

WOOD PATIO COVER:  
WOOD TYPE AND COLOR OR FINISH

WOOD FENCE AND GATE:  
WOOD TYPE AND COLOR OR FINISH

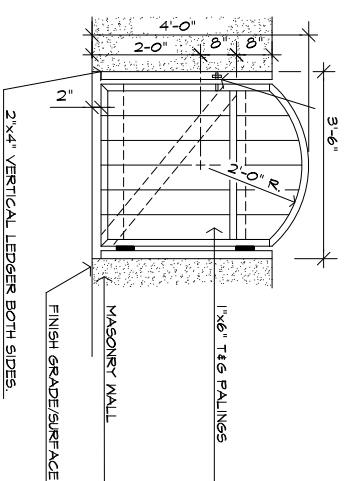


NOTES: \* REFER TO MASONRY WALL NOTES.



**A** MORTAR WASH SCREEN WALL  
3/4"=1'-0"

NOTES: \* REFER TO WOOD CONSTRUCTION NOTES.

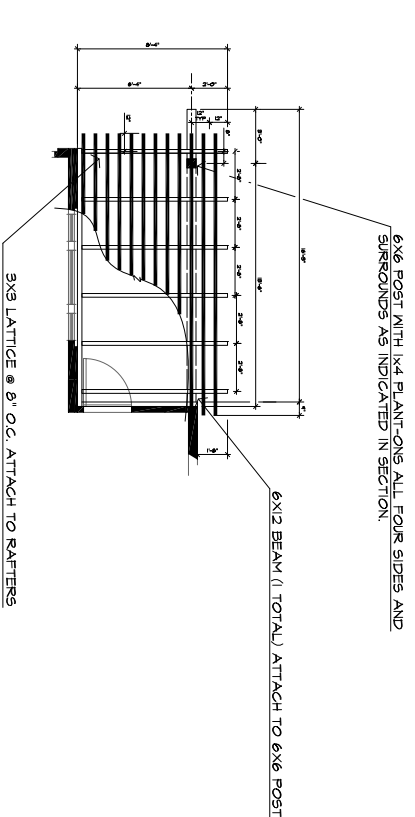


**B** WOOD GATE  
3/4"=1'-0"

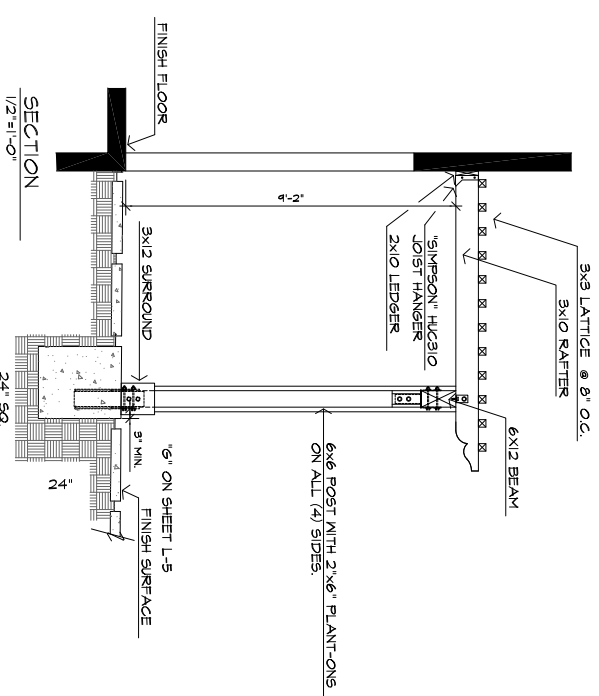


**C** COLUMN FOUNTAIN

NOTES: \* REFER TO WOOD CONSTRUCTION NOTES.

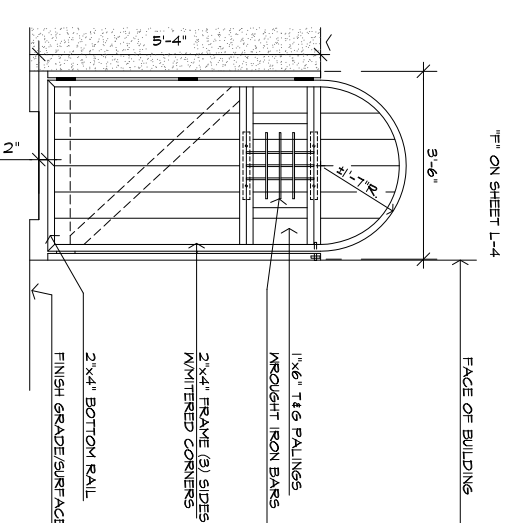


**D** WOOD TRELLIS - LOT 60  
1/4"=1'-0"  
AS NOTED



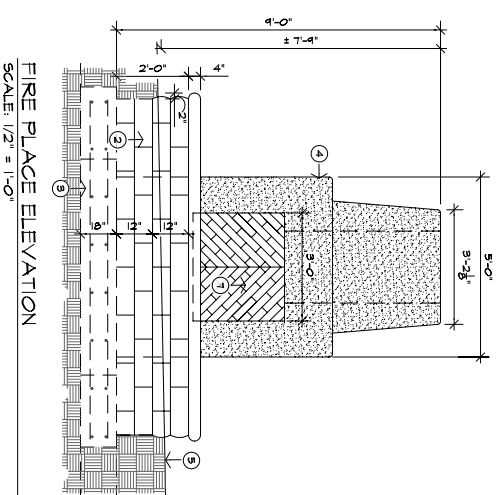
**E** WOOD GATE  
1/2"=1'-0"

NOTES: \* REFER TO WOOD CONSTRUCTION NOTES.



**F** GAS FIREPLACE STRUCTURE  
3/4"=1'-0"

NOTES: \* REFER TO MASONRY WALL NOTES.



**F** GAS FIREPLACE STRUCTURE  
1/2"=1'-0"

**LEGEND**

- ① MORTAR WASHED SLUMP STONE SEAT WALL
- ② 4"x4"x12" CONCRETE SLUMP BLOCK
- ③ CONCRETE FOOTING
- ④ SMOOTH TROWELED STUCCO FINISH
- ⑤ FINISH GRADE
- ⑥ FIREBRICK WALL AND FLOOR (OFF WHITE COLOR)
- ⑦ SEE ELEVATION FOR REAR WALL PATTERN
- ⑧ PERFORATED DRAIN PIPE IN 12" X 12" 3/4" CRUSHED ROCK ENCASED BY FILTER FABRIC TIE TO AREA 4 DIA. DRAIN PIPE