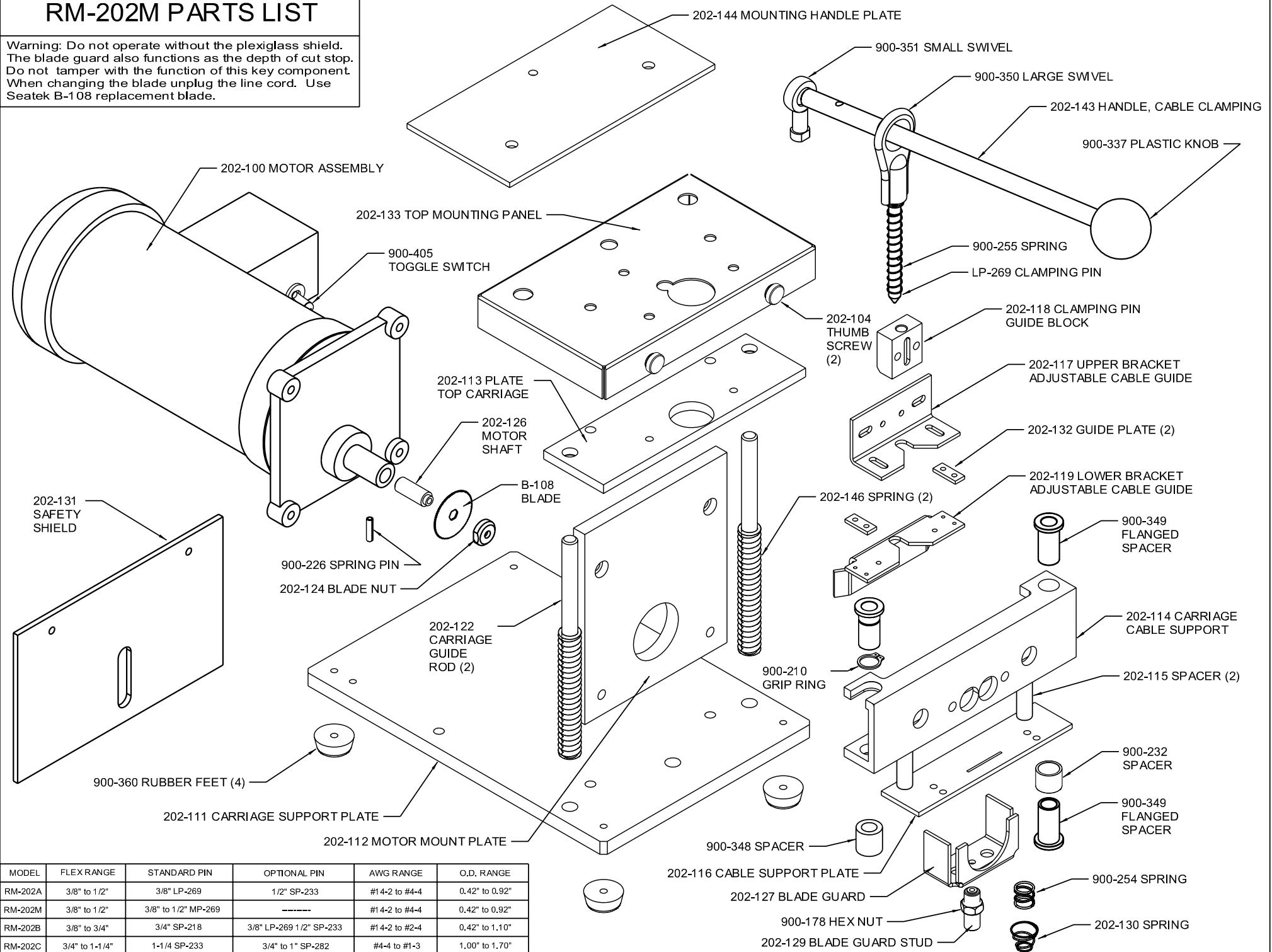


RM-202M PARTS LIST

Warning: Do not operate without the plexiglass shield. The blade guard also functions as the depth of cut stop. Do not tamper with the function of this key component. When changing the blade unplug the line cord. Use Seatek B-108 replacement blade.



MODEL	FLEX RANGE	STANDARD PIN	OPTIONAL PIN	AWG RANGE	O.D. RANGE
RM-202A	3/8" to 1/2"	3/8" LP-269	1/2" SP-233	#14-2 to #4-4	0.42" to 0.92"
RM-202M	3/8" to 1/2"	3/8" to 1/2" MP-269	-----	#14-2 to #4-4	0.42" to 0.92"
RM-202B	3/8" to 3/4"	3/4" SP-218	3/8" LP-269 1/2" SP-233	#14-2 to #2-4	0.42" to 1.10"
RM-202C	3/4" to 1-1/4"	1-1/4 SP-233	3/4" to 1" SP-282	#4-4 to #1-3	1.00" to 1.70"