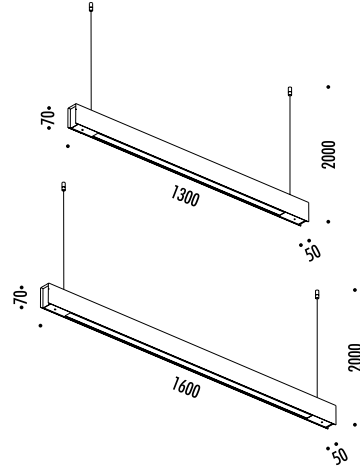




DESIGN 2011
LAMPADA DA SOSPENSIONE - METALLO - POLICARBONATO
SUSPENSION LAMP - METAL - POLYCARBONATE

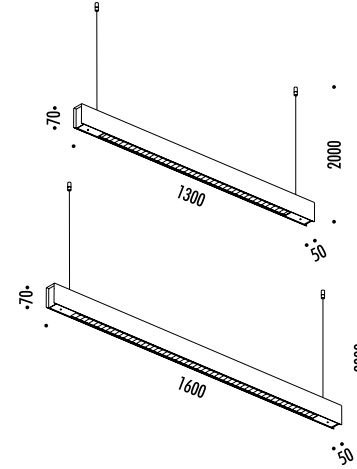
CE IP 20



CODICE / CODE	FINITURA / FINISHING	CARATTERISTICHE / TECHNICAL INFO
163303	BIANCO OPACO / MATT WHITE	SPY 54 220 / 240 V - 50 / 60 Hz - 54 W - G5 LAMPADINA INCLUSA - CAVO BIANCO - ROSONE BIANCO BULB INCLUDED - WHITE CABLE - WHITE CEILING ROSE
		COD. 50720410 FLUORESCENT - 54 W INCLUDED
124603	BIANCO OPACO / MATT WHITE	SPY 80 220 / 240 V - 50 / 60 Hz - 80 W - G5 LAMPADINA INCLUSA - CAVO BIANCO - ROSONE BIANCO BULB INCLUDED - WHITE CABLE - WHITE CEILING ROSE
		COD. 50720420 FLUORESCENT - 80 W INCLUDED

DESIGN 2004
LAMPADA DA SOSPENSIONE - METALLO
SUSPENSION LAMP - METAL

CE IP 20



CODICE / CODE	FINITURA / FINISHING	CARATTERISTICHE / TECHNICAL INFO
163403	BIANCO OPACO / MATT WHITE	SPY 54 DARKLIGHT 220 / 240 V - 50 / 60 Hz - 54 W - G5 LAMPADINA INCLUSA - CAVO BIANCO - ROSONE BIANCO BULB INCLUDED - WHITE CABLE - WHITE CEILING ROSE
		COD. 50720410 FLUORESCENT - 54 W INCLUDED
149303	BIANCO OPACO / MATT WHITE	SPY 80 DARKLIGHT 220 / 240 V - 50 / 60 Hz - 80 W - G5 LAMPADINA INCLUSA - CAVO BIANCO - ROSONE BIANCO BULB INCLUDED - WHITE CABLE - WHITE CEILING ROSE
		COD. 50720420 FLUORESCENT - 80 W INCLUDED

