

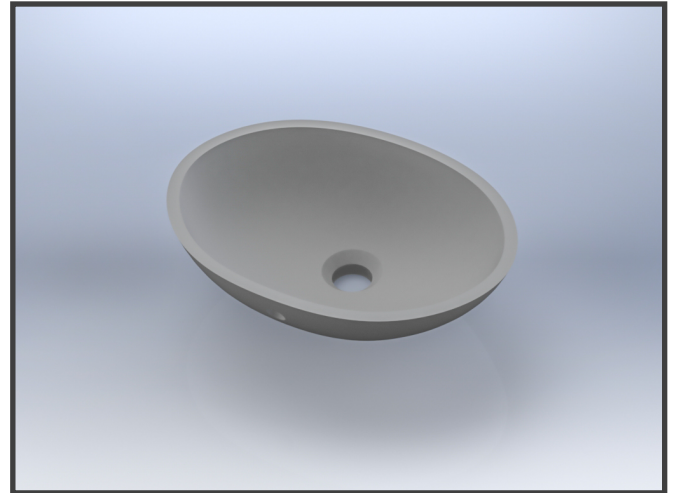


**BATHROOM LAVATORY BOWL  
SS-820-ADA**

**What you get:**

- Small classic oval under-mount bowl
- ADA Compliant
- Solid Surface material
- With or without overflow options
- 9.9" (251mm) x 13.6" (345mm) x 3.5" (90mm)
- 180 grit final finish after mount by fabricator
- 10 year material / 1 year fabrication warranty
- Convenient online ordering

**Available in Most Colors**



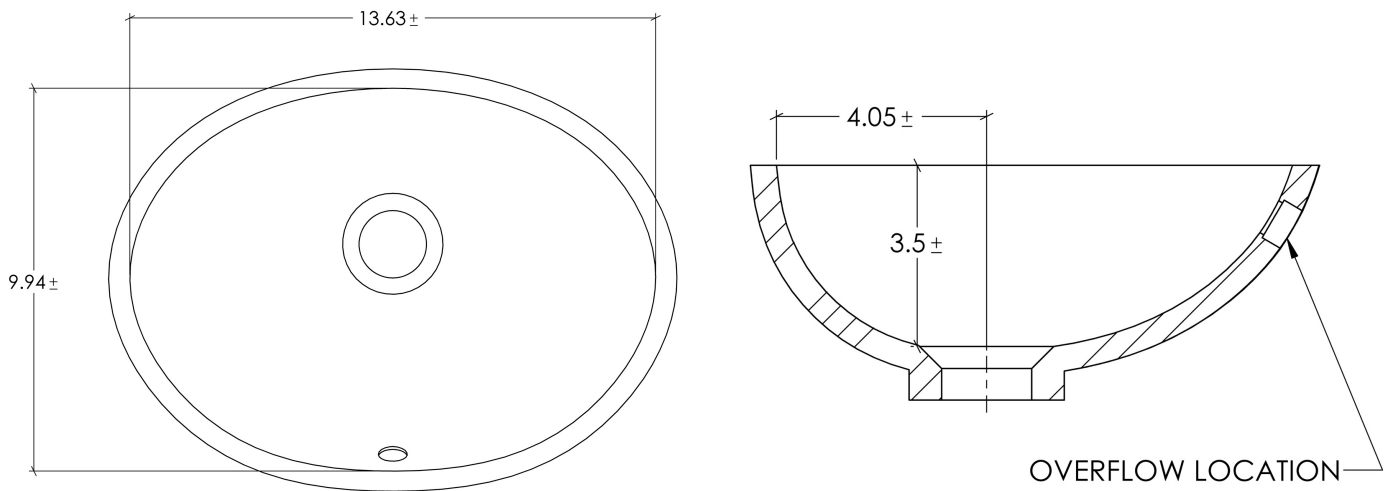
Model #	Description
SS-820-ADA-(color)	Under-mount Solid Surface lavatory - with overflow
SS-820-ADA-NOF-(color)	Under-mount Solid Surface lavatory - no overflow

**Product Specification:**

Sterling Shapes ADA compliant lavatory bowl 13.6" in length and 9.9" in width. Lavatory bowl to be made of thermoformed Solid Surface material and mounted below counter in a seamed under-mount application. Lavatory bowl will have an overflow unless otherwise specified. Solid Surface lavatory bowl shall be Sterling Shapes SS-820-ADA. Lavatory bowl edge to be chamfered for optimal deck to bowl color match.

## Technical Information

Fixture Specifications	Measurements approximate
Basin Area	9.9" (251mm) x 13.6" (345mm)
Water Depth	3.5" (90mm)
Drain Hole	1.75" (44.4mm)



### Fabrication notes:

As is typical with formed shapes to be mounted into the same color deck, a 45 degree chamfered edge between the deck and sink ending on the seam line can minimize color variations between the two parts.