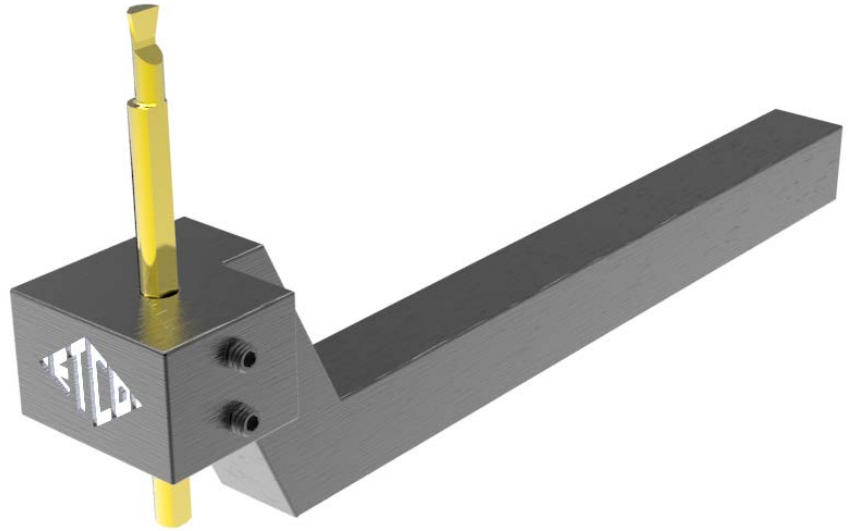
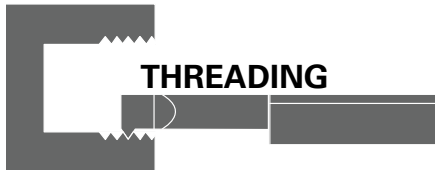
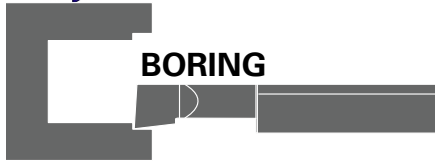
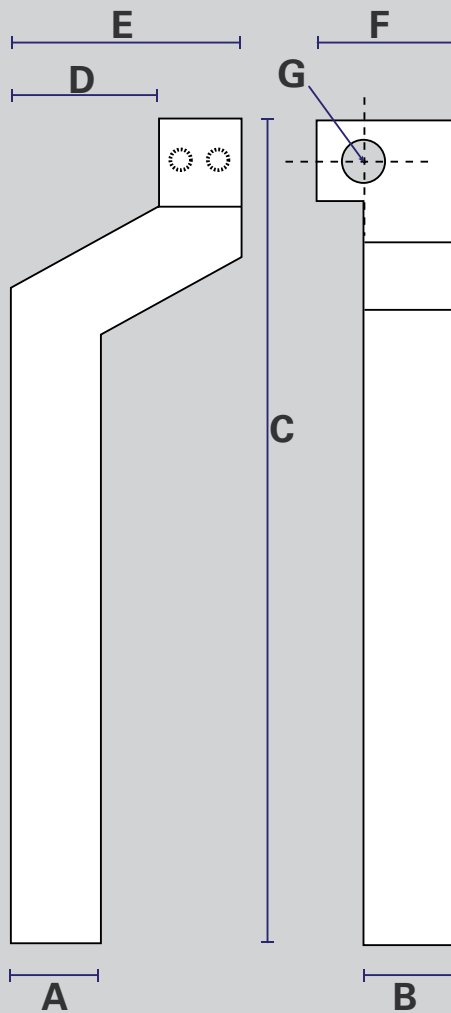




# XS TOOLHOLDERS FOR ET SERIES



## CUT-OFF TOOLHOLDERS



### TOOLHOLDER NUMBER

### DIMENSION

RIGHT HAND	A	B	C	D	E	F	G
BBXS-125-R2-S	.375	.375	4.5	.500	.875	.750	.125
BBXS-125-R2-M	.375	.375	4.5	.750	1.125	.750	.125
BBXS-125-R2-L	.375	.375	4.5	1.00	1.375	.750	.125
BBXS-250-R2-S	.375	.375	4.5	.500	.875	.750	.250
BBXS-250-R2-M	.375	.375	4.5	.750	1.125	.750	.250
BBXS-250-R2-L	.375	.375	4.5	1.00	1.375	.750	.250
BBXS-125-R4-S	.500	.500	4.5	.500	1.000	.875	.125
BBXS-125-R4-M	.500	.500	4.5	.750	1.250	.875	.125
BBXS-125-R4-L	.500	.500	4.5	1.00	1.500	.875	.125
BBXS-250-R4-S	.500	.500	4.5	.500	1.000	.850	.250
BBXS-250-R4-M	.500	.500	4.5	.750	1.250	.850	.250
BBXS-250-R4-L	.500	.500	4.5	1.00	1.500	.850	.250
BBXS-125-R6-S	.625	.625	5.0	.500	1.125	1.00	.125
BBXS-125-R6-M	.625	.625	5.0	.750	1.375	1.00	.125
BBXS-125-R6-L	.625	.625	5.0	1.00	1.625	1.00	.125
BBXS-250-R6-S	.625	.625	5.0	.500	1.125	1.00	.250
BBXS-250-R6-M	.625	.625	5.0	.750	1.375	1.00	.250
BBXS-250-R6-L	.625	.625	5.0	1.00	1.625	1.00	.250

BBXS-187 AVAILABLE SPECIAL ORDER

**Engineered Tooling Corp.**

57 Grant Street . Waltham, MA 02451

781 788 8888 FAX 781 736 1987

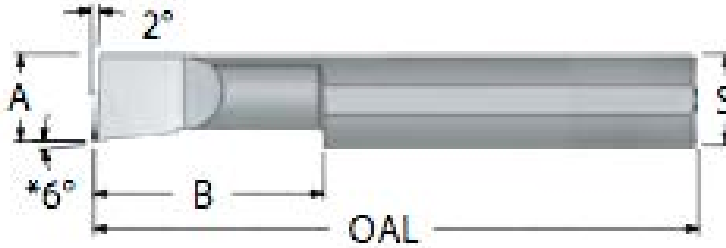
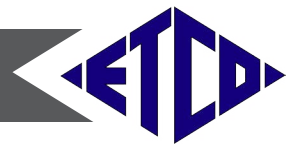
VISIT US AT: [www.etcotooling.com](http://www.etcotooling.com)

e-mail [info@etcotooling.com](mailto:info@etcotooling.com)

◇ DENOTES SPECIAL ORDER

© 2014/15

# ET SERIES-BORING BARS



## BORING BARS

<i>.125" SHANK DIAMETER</i>		MIN HOLE A	MAX DEPTH B
UNCOATED	ALTiN		
B050150	B050150C	.050	.150
B050200	B050200C	.050	.200
B050300	B050300C	.050	.300
B050400	B050400C	.050	.400
B060150	B060150C	.060	.150
B060200	B060200C	.060	.200
B060300	B060300C	.060	.300
B060400	B060400C	.060	.400
B060500	B060500C	.060	.500
B080150	B080150C	.080	.150
B080200	B080200C	.080	.200
B080300	B080300C	.080	.300
B080400	B080400C	.080	.400
B080500	B080500C	.080	.500
B080600	B080600C	.080	.600
B100150	B100150C	.100	.150
B100200	B100200C	.100	.200
B100300	B100300C	.100	.300
B100400	B100400C	.100	.400
B100500	B100500C	.100	.500
B100600	B100600C	.100	.600
B100700	B100700C	.100	.700
B110150	B110150C	.110	.150
B110200	B110200C	.110	.200
B110300	B110300C	.110	.300
B110400	B110400C	.110	.400
B110500	B110500C	.110	.500
B110600	B110600C	.110	.600
B110700	B110700C	.110	.700
<i>.1875" SHANK DIAMETER</i>		MIN HOLE A	MAX DEPTH B
UNCOATED	ALTiN		
B120250	B120250C	.120	.250
B120350	B120350C	.120	.350
B120500	B120500C	.120	.500
B120600	B120600C	.120	.600
B120700	B120700C	.120	.700
B120800	B120800C	.120	.800
B140250	B140250C	.140	.250
B140400	B140400C	.140	.400
B140500	B140500C	.140	.500
B140600	B140600C	.140	.600
B140700	B140700C	.140	.700
B140750	B140750C	.140	.750
B140800	B140800C	.140	.800
B160250	B160250C	.160	.250
B160400	B160400C	.160	.400
B160500	B160500C	.160	.500
B160600	B160600C	.160	.600
B160750	B160750C	.160	.750
B160900	B160900C	.160	.900
B1601000	B1601000C	.160	1.000

## BORING BARS

<i>.250" SHANK DIAMETER</i>		MIN HOLE A	MAX DEPTH B
UNCOATED	ALTiN		
B180350	B180350C	.180	.350
B180500	B180500C	.180	.500
B180600	B180600C	.180	.600
B180750	B180750C	.180	.750
B180900	B180900C	.180	.900
B1801000	B1801000C	.180	1.000
B1801100	B1801100C	.180	1.100
B200400	B200400C	.200	.400
B200500	B200500C	.200	.500
B200600	B200600C	.200	.600
B200700	B200700C	.200	.700
B200800	B200800C	.200	.800
B200900	B200900C	.200	.900
B2001000	B2001000C	.200	1.000
B2001100	B2001100C	.200	1.100
B2001200	B2001200C	.200	1.200
B2001300	B2001300C	.200	1.300
<i>.250" SHANK DIAMETER</i>		MIN HOLE A	MAX DEPTH B
UNCOATED	ALTiN		
B230400	B230400C	.230	.400
B230500	B230500C	.230	.500
B230600	B230600C	.230	.600
B230700	B230700C	.230	.700
B230800	B230800C	.230	.800
B230900	B230900C	.230	.900
B2301000	B2301000C	.230	1.000
B2301150	B2301150C	.230	1.150
B2301200	B2301200C	.230	1.200
B2301250	B2301250C	.230	1.250
B2301400	B2301400C	.230	1.400
B2301500	B2301500C	.230	1.500
B2301600	B2301600C	.230	1.600
B290500	B290500C	.290	.500
B290600	B290600C	.290	.600
B290750	B290750C	.290	.750
B290900	B290900C	.290	.900
B2901000	B2901000C	.290	1.000
B2901100	B2901100C	.290	1.100
B2901250	B2901250C	.290	1.250
B2901350	B2901350C	.290	1.350
B2901500	B2901500C	.290	1.500
B2901600	B2901600C	.290	1.600
B2901750	B2901750C	.290	1.750

## BORING BARS

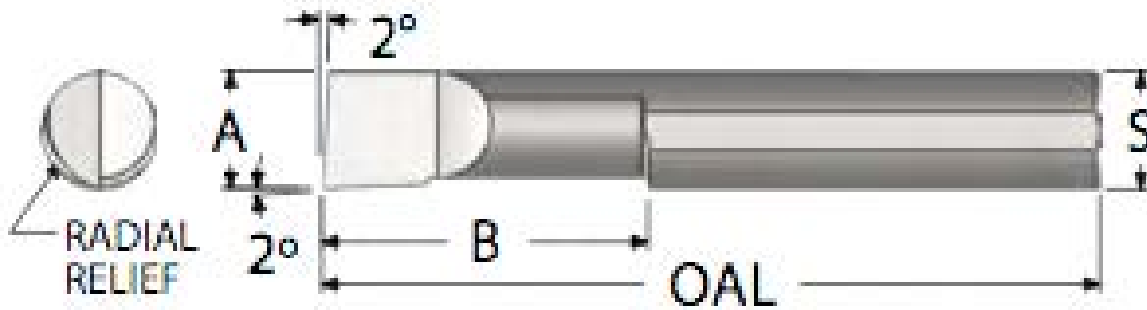
<i>.375" SHANK DIAMETER</i>		MIN HOLE A	MAX DEPTH B
UNCOATED	ALTiN		
B320500	B320500C	.320	.500
B320600	B320600C	.320	.600
B320750	B320750C	.320	.750
B320900	B320900C	.320	.900
B3201000	B3201000C	.320	1.000
B3201100	B3201100C	.320	1.100
B3201250	B3201250C	.320	1.250
B3201500	B3201500C	.320	1.500
B3201600	B3201600C	.320	1.600
B3201800	B3201800C	.320	1.800
<i>.375" SHANK DIAMETER</i>		MIN HOLE A	MAX DEPTH B
UNCOATED	ALTiN		
B3202000	B3202000C	.320	2.000
B3202500	B3202500C	.320	2.500
B3203000	B3203000C	.320	3.000
<i>.375" SHANK DIAMETER</i>		MIN HOLE A	MAX DEPTH B
UNCOATED	ALTiN		
B360500	B360500C	.360	.500
B360600	B360600C	.360	.600
B360750	B360750C	.360	.750
B360900	B360900C	.360	.900
B3601000	B3601000C	.360	1.000
B3601150	B3601150C	.360	1.150
B3601250	B3601250C	.360	1.250
B3601500	B3601500C	.360	1.500
B3601600	B3601600C	.360	1.600
B3601800	B3601800C	.360	1.800
<i>.375" SHANK DIAMETER</i>		MIN HOLE A	MAX DEPTH B
UNCOATED	ALTiN		
B3602000	B3602000C	.360	2.000
B3602500	B3602500C	.360	2.500
B3603000	B3603000C	.360	3.000
<i>.500" SHANK DIAMETER</i>		MIN HOLE A	MAX DEPTH B
UNCOATED	ALTiN		
B490750	B490750C	.490	.750
B4901000	B4901000C	.490	1.000
B4901250	B4901250C	.490	1.250
B4901500	B4901500C	.490	1.500
<i>.500" SHANK DIAMETER</i>		MIN HOLE A	MAX DEPTH B
UNCOATED	ALTiN		
B4902000	B4902000C	.490	2.000
B4902500	B4902500C	.490	2.500
B4902600	B4902600C	.490	2.600
B4902750	B4902750C	.490	2.750
<i>.500" SHANK DIAMETER</i>		MIN HOLE A	MAX DEPTH B
UNCOATED	ALTiN		
B4903000	B4903000C	.490	3.000
B4903500	B4903500C	.490	3.500
B4903000	B4903000C	.490	3.000
B4904500	B4904500C	.490	3.500

◇ DENOTES SPECIAL ORDER  
© 2014/15

**Engineered Tooling Corp.**  
57 Grant Street . Waltham, MA 02451  
**781 788 8888** FAX 781 736 1987  
VISIT US AT: [www.etcotooling.com](http://www.etcotooling.com)  
e-mail [info@etcotooling.com](mailto:info@etcotooling.com)



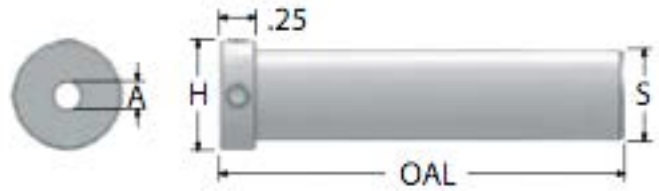
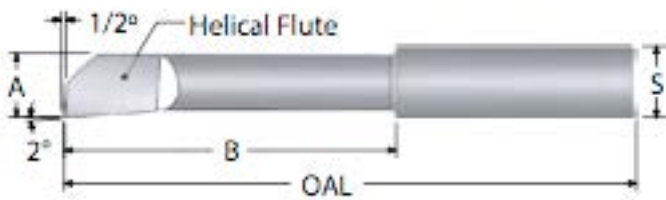
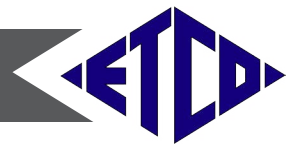
# ET SERIES-BORING BARS



<b>BORING BARS</b>			
<b>RADIAL RELIEF STRAIGHT FLUTE</b>			
<i>.125" SHANK DIAMETER</i>		<b>MIN</b>	<b>MAX</b>
<i>1" OVERALL LENGTH</i>		<b>HOLE</b>	<b>DEPTH</b>
UNCOATED	ALTiN	A	B
BB61	BB61C	.060	.125
BB62	BB62C	.060	.250
BB63	BB63C	.060	.375
BB71	BB71C	.075	.125
BB72	BB72C	.075	.250
BB73	BB73C	.075	.375
BB91	BB91C	.090	.125
BB92	BB92C	.090	.250
BB93	BB93C	.090	.375
BB102	BB102C	.105	.250
BB103	BB103C	.105	.375
BB122	BB122C	.120	.125
BB123	BB123C	.120	.375
<i>.1875" SHANK DIAMETER</i>		<b>MIN</b>	<b>MAX</b>
<i>1.5" OVERALL LENGTH</i>		<b>HOLE</b>	<b>DEPTH</b>
UNCOATED	ALTiN	A	B
BB153	BB153C	.155	.375
BB154	BB154C	.155	.500
BB155	BB155C	.155	.625
BB156	BB156C	.155	.750
BB183	BB183C	.185	.375
BB184	BB184C	.185	.500
BB185	BB185C	.185	.625
BB186	BB186C	.185	.750
<i>.1875" SHANK DIAMETER</i>		<b>MIN</b>	<b>MAX</b>
<i>2" OVERALL LENGTH</i>		<b>HOLE</b>	<b>DEPTH</b>
UNCOATED	ALTiN	A	B
BB158	BB158C	.155	1.000
BB188	BB188C	.185	1.000
BB1812	BB1812C	.185	1.250
<i>.250" SHANK DIAMETER</i>		<b>MIN</b>	<b>MAX</b>
<i>1.5" OVERALL LENGTH</i>		<b>HOLE</b>	<b>DEPTH</b>
UNCOATED	ALTiN	A	B
BB224	BB224C	.220	.500
BB225	BB225C	.220	.625
BB254	BB254C	.248	.500
BB255	BB255C	.248	.625

<b>BORING BARS</b>			
<b>RADIAL RELIEF STRAIGHT FLUTE</b>			
<i>.250" SHANK DIAMETER</i>		<b>MIN</b>	<b>MAX</b>
<i>2" OVERALL LENGTH</i>		<b>HOLE</b>	<b>DEPTH</b>
UNCOATED	ALTiN	A	B
BB226	BB226C	.220	.750
BB228	BB228C	.220	1.000
BB256	BB256C	.248	.750
BB258	BB258C	.248	1.000
<i>.3125" SHANK DIAMETER</i>		<b>MIN</b>	<b>MAX</b>
<i>2" OVERALL LENGTH</i>		<b>HOLE</b>	<b>DEPTH</b>
UNCOATED	ALTiN	A	B
BB314	BB314C	.310	.500
BB316	BB316C	.310	.750
<i>.3125" SHANK DIAMETER</i>		<b>MIN</b>	<b>MAX</b>
<i>2.5" OVERALL LENGTH</i>		<b>HOLE</b>	<b>DEPTH</b>
UNCOATED	ALTiN	A	B
BB316L	BB316LC	.310	.750
BB318	BB318C	.310	1.000
BB3112	BB3112C	.310	1.250
BB3114	BB3114C	.310	1.500
<i>.3125" SHANK DIAMETER</i>		<b>MIN</b>	<b>MAX</b>
<i>3" OVERALL LENGTH</i>		<b>HOLE</b>	<b>DEPTH</b>
UNCOATED	ALTiN	A	B
BB3114	BB3114C	.310	1.750
<i>.375" SHANK DIAMETER</i>		<b>MIN</b>	<b>MAX</b>
<i>2" OVERALL LENGTH</i>		<b>HOLE</b>	<b>DEPTH</b>
UNCOATED	ALTiN	A	B
BB374	BB374C	.373	.500
BB376	BB376C	.373	.750
<i>.375" SHANK DIAMETER</i>		<b>MIN</b>	<b>MAX</b>
<i>2.5" OVERALL LENGTH</i>		<b>HOLE</b>	<b>DEPTH</b>
UNCOATED	ALTiN	A	B
BB376L	BB376LC	.373	.750
BB378	BB378C	.373	1.000
BB3712	BB3712C	.373	1.250
BB3714	BB3714C	.373	1.500
<i>.375" SHANK DIAMETER</i>		<b>MIN</b>	<b>MAX</b>
<i>3" OVERALL LENGTH</i>		<b>HOLE</b>	<b>DEPTH</b>
UNCOATED	ALTiN	A	B
BB3714L	BB3714LC	.373	1.500
BB3716	BB3716C	.373	1.750
BB3718	BB3718C	.373	2.000

# ET SERIES-BORING BARS



BORING BARS HELICAL BACK RAKE				
UNCOATED	ALTiN	MIN HOLE A	MAX DEPTH B	LENGTH
HB25	HB25C	.025	3/32	1
HB27	HB27C	.027	1/8	1
HB31	HB31C	.031	5/32	1
HB31L	HB31LC	.031	3/16	1
HB36	HB36C	.036	5/32	1
HB36L	HB36LC	.036	1/4	1
HB42	HB42C	.042	1/4	1
HB42L	HB42LC	.042	5/16	1
HB52	HB52C	.052	5/16	1
HB57	HB57C	.057	5/16	1
HB60	HB60C	.060	3/8	1
HB60L	HB60LC	.060	1/2	1.5
HB70	HB70C	.070	7/16	1.5
HB80	HB80C	.080	1/2	1.5
HB85	HB85C	.085	1/2	1.5
HB90	HB90C	.090	1/2	1.5
HB90L	HB90LC	.090	5/8	1.5
HB100	HB100C	.100	9/16	1.5
HB100L	HB100LC	.100	5/8	2
HB110	HB110C	.110	9/16	1.5
HB110L	HB110LC	.110	5/8	2
HB120	HB120C	.120	5/8	1.5
HB120L	HB120LC	.120	5/8	2

BORING BARS SINGLE END HOLDERS			
HOLDER#	O.D. A	I.D. B	LENGTH
H50 7/64	1/2	7/64	2.25
H50 1/8	1/2	1/8	2.25
H50 5/32	1/2	5/32	2.25
H50 3/16	1/2	3/16	2.25
H50 7/32	1/2	7/32	2.25
H50 1/4	1/2	1/4	2.25
H50 7/64	5/8	7/64	2.25
H50 1/8	5/8	1/8	2.25
H50 5/32	5/8	5/32	2.25
H50 3/16	5/8	3/16	2.25
H50 7/32	5/8	7/32	2.25
H50 1/4	5/8	1/4	2.25

BORING BARS HELICAL BACK RAKE ADJUSTABLE MAX BORE				
UNCOATED	ALTiN	MIN HOLE A	SHANK DIA. B	LENGTH
HB135	HB135C	.135	7/64	1.25
HB150	HB150C	.150	1/8	1.25
HB150	HB150C	.150	1/8	2.25
HB180	HB180C	.180	5/32	1.25
HB180	HB180C	.180	5/32	1.5
HB180	HB180C	.180	5/32	3
HB210	HB210C	.210	3/16	1.5
HB210	HB210C	.210	3/16	3
HB240	HB240C	.240	7/32	1.5
HB240	HB240C	.240	7/32	3
HB300	HB300C	.300	1/4	1.5
HB300	HB300C	.300	1/4	3
HB360	HB360C	.360	5/16	3
HB360	HB360C	.360	5/16	4.25
HB480	HB480C	.480	7/16	3
HB480	HB480C	.480	7/16	5.25

BORING BARS DELUX HOLDERS			
HOLDER#	O.D. A	I.D. B	LENGTH
DH37-1/8	3/8	1/8	2.75
DH37-5/32	3/8	5/32	2.75
DH37-3/16	3/8	3/16	2.75
DH37-7/32	3/8	7/32	2.75
DH37-1/4	3/8	1/4	2.75
DH50-1/8	1/2	1/8	2.75
DH50-5/32	1/2	5/32	2.75
DH50-3/16	1/2	3/16	2.75
DH50-7/32	1/2	7/32	2.75
DH50-1/4	1/2	1/4	2.75
DH50-5/16	1/2	5/16	2.75
DH50-3/8	1/2	3/8	2.75
DH62-1/8	5/8	1/8	2.75
DH62-5/32	5/8	5/32	2.75
DH62-3/16	5/8	3/16	2.75
DH62-7/32	5/8	7/32	2.75
DH62-1/4	5/8	1/4	2.75
DH62-5/16	5/8	5/16	2.75
DH62-3/8	5/8	3/8	2.75
DH75-1/8	3/4	1/8	2.75
DH75-3/16	3/4	3/16	2.75
DH75-1/4	3/4	1/4	2.75
DH75-5/16	3/4	5/16	2.75
DH75-3/8	3/4	3/8	2.75
DH75-1/2	3/4	1/2	2.75

**Engineered Tooling Corp.**

57 Grant Street . Waltham, MA 02451

781 788 8888 FAX 781 736 1987

VISIT US AT: [www.etcotooling.com](http://www.etcotooling.com)

e-mail [info@etcotooling.com](mailto:info@etcotooling.com)

◇ DENOTES SPECIAL ORDER

© 2014/15