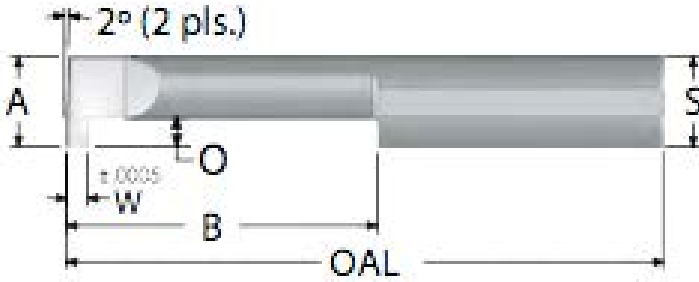




GROOVE TOOL



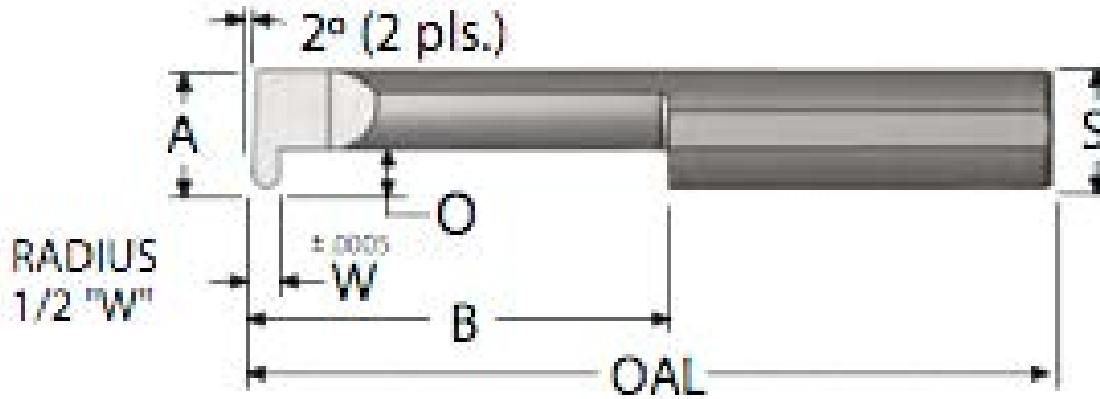
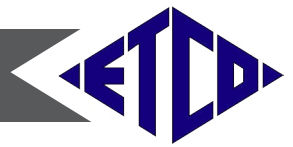
GROOVE TOOL						
UNCOATED	ALTiN	MIN HOLE A	MAX DEPTH B	GROOVE WIDTH C	LENGTH	
GTO31-3	GTO31-3C	.060	3/16	.032	1.5	
GTO31-4	GTO31-4C	.060	1/4	.032	1.5	
GTO31-6	GTO31-6C	.060	3/8	.032	1.5	
GTO45-4	GTO45-4C	.090	1/4	.046	1.5	
GTO45-6	GTO45-6C	.090	3/8	.046	1.5	
GTO45-8	GTO45-8C	.090	1/2	.046	1.5	
GTO61-4	GTO61-4C	.120	1/4	.062	1.5	
GTO61-6	GTO61-6C	.120	3/8	.062	1.5	
GTO61-8	GTO61-8C	.120	1/2	.062	1.5	
GTO61-10	GTO61-10C	.120	5/8	.062	1.5	
GTO17K-4	GTO17K-4C	.187	1/4	.0175	2	
GTO17K-6	GTO17K-6C	.187	3/8	.0175	2	
GTO17K-8	GTO17K-8C	.187	1/2	.0175	2	
GTO17K-10	GTO17K-10C	.187	5/8	.0175	2	
GTO25K-4	GTO25K-4C	.187	1/4	.0255	2	
GTO25K-6	GTO25K-6C	.187	3/8	.0255	2	
GTO25K-8	GTO25K-8C	.187	1/2	.0255	2	
GTO25K-10	GTO25K-10C	.187	5/8	.0255	2	
GTO30K-4	GTO30K-4C	.187	1/4	.0305	2	
GTO30K-6	GTO30K-6C	.187	3/8	.0305	2	
GTO30K-8	GTO30K-8C	.187	1/2	.0305	2	
GTO30K-10	GTO30K-10C	.187	5/8	.0305	2	
GTO62K-4	GTO62K-4C	.187	1/4	.063	2	
GTO62K-6	GTO62K-6C	.187	3/8	.063	2	
GTO62K-8	GTO62K-8C	.187	1/2	.063	2	
GTO62K-10	GTO62K-10C	.187	5/8	.063	2	
GTO17Q-4	GTO17Q-4C	.250	1/4	.0175	2.5	
GTO17Q-6	GTO17Q-6C	.250	3/8	.0175	2.5	
GTO17Q-8	GTO17Q-8C	.250	1/2	.0175	2.5	
GTO17Q-10	GTO17Q-10C	.250	5/8	.0175	2.5	
GTO25Q-4	GTO25Q-4C	.250	1/4	.0255	2.5	
GTO25Q-6	GTO25Q-6C	.250	3/8	.0255	2.5	
GTO25Q-8	GTO25Q-8C	.250	1/2	.0255	2.5	
GTO25Q-10	GTO25Q-10C	.250	5/8	.0255	2.5	
GTO30Q-4	GTO30Q-4C	.250	1/4	.0305	2.5	
GTO30Q-6	GTO30Q-6C	.250	3/8	.0305	2.5	
GTO30Q-8	GTO30Q-8C	.250	1/2	.0305	2.5	
GTO30Q-10	GTO30Q-10C	.250	5/8	.0305	2.5	
GTO92Q-4	GTO92Q-4C	.250	1/4	.093	2.5	
GTO92Q-6	GTO92Q-6C	.250	3/8	.093	2.5	
GTO92Q-8	GTO92Q-8C	.250	1/2	.093	2.5	
GTO92Q-10	GTO92Q-10C	.250	5/8	.093	2.5	
GTO33-4	GTO33-4C	.312	1/4	.0335	2.5	
GTO33-6	GTO33-6C	.312	3/8	.0335	2.5	
GTO33-8	GTO33-8C	.312	1/2	.0335	2.5	
GTO33-12	GTO33-12C	.312	3/4	.0335	2.5	
GTO38-4	GTO38-4C	.312	1/4	.0385	2.5	
GTO38-6	GTO38-6C	.312	3/8	.0385	2.5	
GTO38-8	GTO38-8C	.312	1/2	.0385	2.5	
GTO38-12	GTO38-12C	.312	3/4	.0385	2.5	
GT124-6	GT124-6C	.312	3/8	.125	2.5	
GT124-8	GT124-8C	.312	1/2	.125	2.5	
GT124-12	GT124-12C	.312	3/4	.125	2.5	
GT124-16	GT124-16C	.312	1	.125	2.5	

GROOVE TOOL						
UNCOATED	ALTiN	MIN HOLE A	MAX DEPTH B	GROOVE WIDTH C	LENGTH	
GTO39-4	GTO39-4C	.375	1/4	.040	2.5	
GTO39-6	GTO39-6C	.375	3/8	.040	2.5	
GTO39-8	GTO39-8C	.375	1/2	.040	2.5	
GTO39-12	GTO39-12C	.375	3/4	.040	2.5	
GTO39-16	GTO39-16C	.375	1	.040	2.5	
GTO39-20	GTO39-20C	.375	1.25	.040	2.5	
GTO46-4	GTO46-4C	.375	1/4	.047	2.5	
GTO46-6	GTO46-6C	.375	3/8	.047	2.5	
GTO46-8	GTO46-8C	.375	1/2	.047	2.5	
GTO46-12	GTO46-12C	.375	3/4	.047	2.5	
GTO46-16	GTO46-16C	.375	1	.047	2.5	
GTO46-20	GTO46-20C	.375	1.25	.047	2.5	
GTO55-4	GTO55-4C	.375	1/4	.056	2.5	
GTO55-6	GTO55-6C	.375	3/8	.056	2.5	
GTO55-8	GTO55-8C	.375	1/2	.056	2.5	
GTO55-12	GTO55-12C	.375	3/4	.056	2.5	
GTO55-16	GTO55-16C	.375	1	.056	2.5	
GTO55-20	GTO55-20C	.375	1.25	.056	2.5	
GTO62-4	GTO62-4C	.375	1/4	.063	2.5	
GTO62-6	GTO62-6C	.375	3/8	.063	2.5	
GTO62-8	GTO62-8C	.375	1/2	.063	2.5	
GTO62-12	GTO62-12C	.375	3/4	.063	2.5	
GTO62-16	GTO62-16C	.375	1	.063	2.5	
GTO62-20	GTO62-20C	.375	1.25	.063	2.5	
GTO69-4	GTO69-4C	.375	1/4	.070	2.5	
GTO69-6	GTO69-6C	.375	3/8	.070	2.5	
GTO69-8	GTO69-8C	.375	1/2	.070	2.5	
GTO69-12	GTO69-12C	.375	3/4	.070	2.5	
GTO69-16	GTO69-16C	.375	1	.070	2.5	
GTO69-20	GTO69-20C	.375	1.25	.070	2.5	
GTO87-4	GTO87-4C	.375	1/4	.088	2.5	
GTO87-6	GTO87-6C	.375	3/8	.088	2.5	
GTO87-8	GTO87-8C	.375	1/2	.088	2.5	
GTO87-12	GTO87-12C	.375	3/4	.088	2.5	
GTO87-16	GTO87-16C	.375	1	.088	2.5	
GTO87-20	GTO87-20C	.375	1.25	.088	2.5	
GTO126-6	GTO126-6C	.375	3/8	.127	2.5	
GTO126-8	GTO126-8C	.375	1/2	.127	2.5	
GTO126-12	GTO126-12C	.375	3/4	.127	2.5	
GTO126-16	GTO126-16C	.375	1	.127	2.5	
GTO126-20	GTO126-20C	.375	1.25	.127	2.5	
GTO157-6	GTO157-6C	.375	3/8	.158	2.5	
GTO157-8	GTO157-8C	.375	1/2	.158	2.5	
GTO157-12	GTO157-12C	.375	3/4	.158	2.5	
GTO157-16	GTO157-16C	.375	1	.158	2.5	
GTO157-20	GTO157-20C	.375	1.25	.158	2.5	
GTO93-8	GTO93-8C	.500	1/2	.094	3	
GTO93-12	GTO93-12C	.500	3/4	.094	3	
GTO93-16	GTO93-16C	.500	1	.094	3	
GTO93-20	GTO93-20C	.500	1.25	.094	3	
GTO93-24	GTO93-24C	.500	1.5	.094	3	
GTO125-8	GTO125-8C	.500	1/2	.126	3	
GTO125-12	GTO125-12C	.500	3/4	.126	3	
GTO125-16	GTO125-16C	.500	1	.126	3	
GTO125-20	GTO125-20C	.500	1.25	.126	3	
GTO125-24	GTO125-24C	.500	1.5	.126	3	
GTO156-8	GTO156-8C	.500	1/2	.157	3	
GTO156-12	GTO156-12C	.500	3/4	.157	3	
GTO156-16	GTO156-16C	.500	1	.157	3	
GTO156-20	GTO156-20C	.500	1.25	.157	3	
GTO156-24	GTO156-24C	.500	1.5	.157	3	
GTO187-8	GTO187-8C	.500	1/2	.188	3	
GTO187-12	GTO187-12C	.500	3/4	.188	3	
GTO187-16	GTO187-16C	.500	1	.188	3	
GTO187-20	GTO187-20C	.500	1.25	.188	3	
GTO187-24	GTO187-24C	.500	1.5	.188	3	
GTO250-8	GTO250-8C	.500	1/2	.251	3	
GTO250-12	GTO250-12C	.500	3/4	.251	3	
GTO250-16	GTO250-16C	.500	1	.251	3	
GTO250-20	GTO250-20C	.500	1.25	.251	3	
GTO250-24	GTO250-24C	.500	1.5	.251	3	

Engineered Tooling Corp.
 57 Grant Street . Waltham, MA 02451
 781 788 8888 FAX 781 736 1987
 VISIT US AT: www.etcotooling.com
 e-mail info@etcotooling.com

◇ DENOTES SPECIAL ORDER
 © 2014/15

GROOVE TOOL-FULL RADIUS



GROOVE TOOL		MIN HOLE A	MAX DEPTH B	GROOVE WIDTH C	LENGTH
UNCOATED	ALTiN				
GFR017K-4	GFR017K-4C	.187	1/4	.0175	2
GFR017K-6	GFR017K-6C	.187	3/8	.0175	2
GFR017K-8	GFR017K-8C	.187	1/2	.0175	2
GFR017K-10	GFR017K-10C	.187	5/8	.0175	2
GFR025K-4	GFR025K-4C	.187	1/4	.0255	2
GFR025K-6	GFR025K-6C	.187	3/8	.0255	2
GFR025K-8	GFR025K-8C	.187	1/2	.0255	2
GFR025K-10	GFR025K-10C	.187	5/8	.0255	2
GFR030K-4	GFR030K-4C	.187	1/4	.0305	2
GFR030K-6	GFR030K-6C	.187	3/8	.0305	2
GFR030K-8	GFR030K-8C	.187	1/2	.0305	2
GFR030K-10	GFR030K-10C	.187	5/8	.0305	2
GFR017Q-4	GFR017Q-4C	.250	1/4	.0175	2.5
GFR017Q-6	GFR017Q-6C	.250	3/8	.0175	2.5
GFR017Q-8	GFR017Q-8C	.250	1/2	.0175	2.5
GFR017Q-10	GFR017Q-10C	.250	5/8	.0175	2.5
GFR025Q-4	GFR025Q-4C	.250	1/4	.0255	2.5
GFR025Q-6	GFR025Q-6C	.250	3/8	.0255	2.5
GFR025Q-8	GFR025Q-8C	.250	1/2	.0255	2.5
GFR025Q-10	GFR025Q-10C	.250	5/8	.0255	2.5
GFR030Q-4	GFR030Q-4C	.250	1/4	.0305	2.5
GFR030Q-6	GFR030Q-6C	.250	3/8	.0305	2.5
GFR030Q-8	GFR030Q-8C	.250	1/2	.0305	2.5
GFR030Q-10	GFR030Q-10C	.250	5/8	.0305	2.5
GFR033-4	GFR033-4C	.312	1/4	.0335	2.5
GFR033-6	GFR033-6C	.312	3/8	.0335	2.5
GFR033-8	GFR033-8C	.312	1/2	.0335	2.5
GFR033-12	GFR033-12C	.312	3/4	.0335	2.5
GFR038-4	GFR038-4C	.312	1/4	.0385	2.5
GFR038-6	GFR038-6C	.312	3/8	.0385	2.5
GFR038-8	GFR038-8C	.312	1/2	.0385	2.5
GFR038-12	GFR038-12C	.312	3/4	.0385	2.5
GFR039-4	GFR039-4C	.375	1/4	.040	2.5
GFR039-6	GFR039-6C	.375	3/8	.040	2.5
GFR039-8	GFR039-8C	.375	1/2	.040	2.5
GFR039-12	GFR039-12C	.375	3/4	.040	2.5
GFR039-16	GFR039-16C	.375	1	.040	2.5
GFR039-20	GFR039-20C	.375	1.25	.040	2.5
GFR046-4	GFR046-4C	.375	1/4	.047	2.5
GFR046-6	GFR046-6C	.375	3/8	.047	2.5
GFR046-8	GFR046-8C	.375	1/2	.047	2.5
GFR046-12	GFR046-12C	.375	3/4	.047	2.5
GFR046-16	GFR046-16C	.375	1	.047	2.5
GFR046-20	GFR046-20C	.375	1.25	.047	2.5
GFR055-4	GFR055-4C	.375	1/4	.056	2.5
GFR055-6	GFR055-6C	.375	3/8	.056	2.5
GFR055-8	GFR055-8C	.375	1/2	.056	2.5

GROOVE TOOL		MIN HOLE A	MAX DEPTH B	GROOVE WIDTH C	LENGTH
UNCOATED	ALTiN				
GFR055-12	GFR055-12C	.375	3/4	.056	2.5
GFR055-16	GFR055-16C	.375	1	.056	2.5
GFR055-20	GFR055-20C	.375	1.25	.056	2.5
GFR062-4	GFR062-4C	.375	1/4	.063	2.5
GFR062-6	GFR062-6C	.375	3/8	.063	2.5
GFR062-8	GFR062-8C	.375	1/2	.063	2.5
GFR062-12	GFR062-12C	.375	3/4	.063	2.5
GFR062-16	GFR062-16C	.375	1	.063	2.5
GFR062-20	GFR062-20C	.375	1/25	.063	2.5
GFR069-4	GFR069-4C	.375	1/4	.070	2.5
GFR069-6	GFR069-6C	.375	3/8	.070	2.5
GFR069-8	GFR069-8C	.375	1/2	.070	2.5
GFR069-12	GFR069-12C	.375	3/4	.070	2.5
GFR069-16	GFR069-16C	.375	1	.070	2.5
GFR069-20	GFR069-20C	.375	1/25	.070	2.5
GFR087-4	GFR087-4C	.375	1/4	.088	2.5
GFR087-6	GFR087-6C	.375	3/8	.088	2.5
GFR087-8	GFR087-8C	.375	1/2	.088	2.5
GFR087-12	GFR087-12C	.375	3/4	.088	2.5
GFR087-16	GFR087-16C	.375	1	.088	2.5
GFR087-20	GFR087-20C	.375	1.25	.088	2.5
GFR124-4	GFR124-4C	.375	1/4	.125	2.5
GFR124-6	GFR124-6C	.375	3/8	.125	2.5
GFR124-8	GFR124-8C	.375	1/2	.125	2.5
GFR124-12	GFR124-12C	.375	3/4	.125	2.5
GFR124-16	GFR124-16C	.375	1	.125	2.5
GFR124-20	GFR124-20C	.375	1.25	.125	2.5
GFR093-8	GFR093-8C	.500	1/2	.094	3
GFR093-12	GFR093-12C	.500	3/4	.094	3
GFR093-16	GFR093-16C	.500	1	.094	3
GFR093-20	GFR093-20C	.500	1.25	.094	3
GFR093-24	GFR093-24C	.500	1.5	.094	3
GFR125-8	GFR125-8C	.500	1/2	.126	3
GFR125-12	GFR125-12C	.500	3/4	.126	3
GFR125-16	GFR125-16C	.500	1	.126	3
GFR125-20	GFR125-20C	.500	1.25	.126	3
GFR125-24	GFR125-24C	.500	1.5	.126	3
GFR156-8	GFR156-8C	.500	1/2	.157	3
GFR156-12	GFR156-12C	.500	3/4	.157	3
GFR156-16	GFR156-16C	.500	1	.157	3
GFR156-20	GFR156-20C	.500	1.25	.157	3
GFR156-24	GFR156-24C	.500	1.5	.157	3
GFR187-8	GFR187-8C	.500	1/2	.188	3
GFR187-12	GFR187-12C	.500	3/4	.188	3
GFR187-16	GFR187-16C	.500	1	.188	3
GFR187-20	GFR187-20C	.500	1.25	.188	3
GFR187-24	GFR187-24C	.500	1.5	.188	3
GFR250-8	GFR250-8C	.500	1/2	.251	3
GFR250-12	GFR250-12C	.500	3/4	.251	3
GFR250-16	GFR250-16C	.500	1	.251	3
GFR250-20	GFR250-20C	.500	1.25	.251	3
GFR250-24	GFR250-24C	.500	1.5	.251	3

Engineered Tooling Corp.

57 Grant Street . Waltham, MA 02451

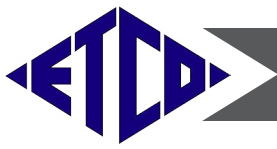
781 788 8888 FAX 781 736 1987

VISIT US AT: www.etcotooling.com

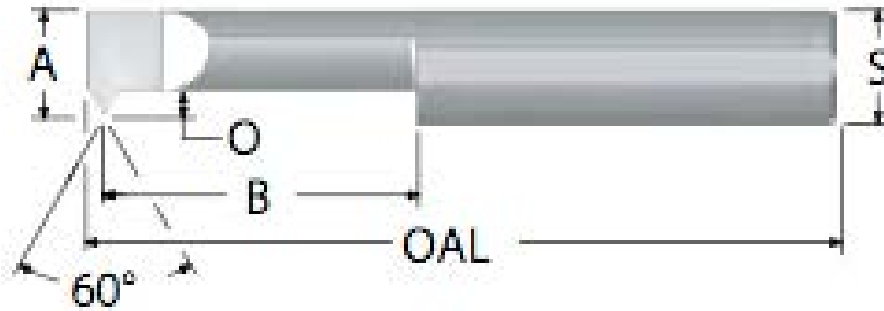
e-mail info@etcotooling.com

◇ DENOTES SPECIAL ORDER

© 2014/15



THREADING & O RING TOOLS

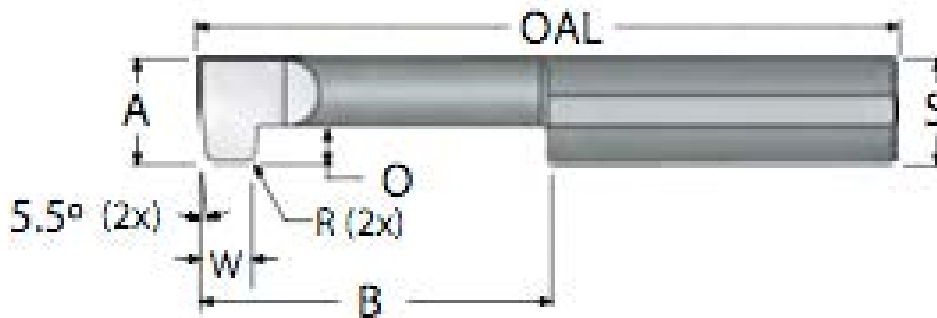


THREADING TOOLS

UNCOATED	ALTiN	MIN HOLE A	MAX DEPTH B	MIN. OFFSET C	LENGTH
TT04080	TT04080C	.040	.080	.013	1.5
TT04100	TT04100C	.040	.100	.013	1.5
TT04130	TT04130C	.040	.130	.013	1.5
TT050100	TT050100C	.050	.100	.017	1.5
TT050150	TT050150C	.050	.150	.017	1.5
TT050200	TT050200C	.050	.200	.017	1.5
TT060150	TT060150C	.060	.150	.020	1.5
TT060200	TT060200C	.060	.200	.020	1.5
TT060250	TT060250C	.060	.250	.020	1.5
TT060300	TT060300C	.060	.300	.020	1.5
TT075200	TT075200C	.075	.200	.020	1.5
TT075300	TT075300C	.075	.300	.020	1.5
TT075400	TT075400C	.075	.400	.020	1.5
TT090200	TT090200C	.090	.200	.025	1.5
TT090300	TT090300C	.090	.300	.025	1.5
TT090400	TT090400C	.090	.400	.025	1.5
TT090500	TT090500C	.090	.500	.025	1.5
TT120250	TT120250C	.120	.250	.030	2
TT120400	TT120400C	.120	.400	.030	2
TT120600	TT120600C	.120	.600	.030	2
TT120750	TT120750C	.120	.750	.030	2
TT150350	TT150350C	.150	.350	.035	2
TT150500	TT150500C	.150	.500	.035	2
TT150750	TT150750C	.150	.750	.035	2
TT180350	TT180350C	.180	.350	.040	2.5
TT180500	TT180500C	.180	.500	.040	2.5
TT180750	TT180750C	.180	.750	.040	2.5
TT1801000	TT1801000C	.180	1.000	.040	2.5

THREADING TOOLS

UNCOATED	ALTiN	MIN HOLE A	MAX DEPTH B	MIN. OFFSET C	LENGTH
TT200400	TT200400C	.200	.400	.045	2.5
TT200600	TT200600C	.200	.600	.045	2.5
TT200800	TT200800C	.200	.800	.045	2.5
TT2001000	TT2001000C	.200	1.000	.045	2.5
TT230400	TT230400C	.230	.400	.055	2.5
TT230600	TT230600C	.230	.600	.055	2.5
TT230750	TT230750C	.230	.750	.055	2.5
TT2301000	TT2301000C	.230	1.000	.055	2.5
TT2301250	TT2301250C	.230	1.250	.055	2.5
TT290500	TT290500C	.290	.500	.070	2.5
TT290750	TT290750C	.290	.750	.070	2.5
TT2901000	TT2901000C	.290	1.000	.070	2.5
TT2901250	TT2901250C	.290	1.250	.070	2.5
TT2901500	TT2901500C	.290	1.500	.070	2.5
TT320500	TT320500C	.320	.500	.075	2.5
TT320750	TT320750C	.320	.750	.075	2.5
TT3201000	TT3201000C	.320	1.000	.075	2.5
TT3201250	TT3201250C	.320	1.250	.075	2.5
TT3201500	TT3201500C	.320	1.500	.075	2.5
TT360500	TT360500C	.360	.500	.085	2.5
TT360750	TT360750C	.360	.750	.085	2.5
TT3601000	TT3601000C	.360	1.000	.085	2.5
TT3601250	TT3601250C	.360	1.250	.085	2.5
TT3601500	TT3601500C	.360	1.800	.085	2.5
TT490750	TT490750C	.490	.750	.120	3
TT4901500	TT4901500C	.490	1.500	.120	3
TT4902000	TT4902000C	.490	2.000	.120	3



O RING GROOVE TOOLS

UNCOATED	ALTiN	MIN HOLE A	MAX DEPTH B	GROOVE WIDTH C	LENGTH	RADIUS
GOR096-8	GOR096-8C	.250	1/2	.097	2.5	.015
GOR096-9	GOR096-9C	.250	9/16	.142	2.5	.040
GOR096-10	GOR096-10C	.250	5/8	.145	2.5	.040

O RING GROOVE TOOLS

UNCOATED	ALTiN	MIN HOLE A	MAX DEPTH B	GROOVE WIDTH C	LENGTH	RADIUS
GOR174-8	GOR174-8C	.250	1/2	.097	2.5	.015
GOR208-9	GOR208-9C	.250	9/16	.142	2.5	.040
GOR241-10	GOR241-10C	.250	5/8	.145	2.5	.040