

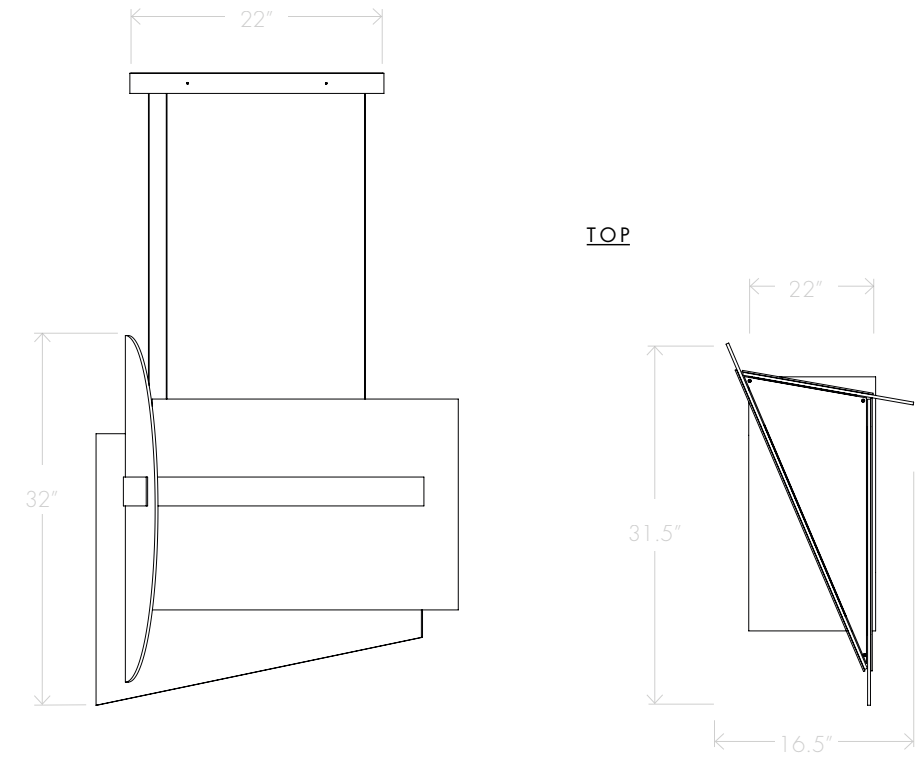
KAZIMIR LONG PENDANT

LADIESANDGENTLEMENSTUDIO.COM



KAZIMIR LONG PENDANT

LADIESANDGENTLEMENSTUDIO.COM



- brushed brass
- satin nickel

appearance
materials steel, brass, glass, acrylic
suspension steel cable
canopy 11" triangle
finishes brushed brass, satin nickel
style options chandelier, sconce
customize finishes

technical
socket/lamp LED board
watt/volt wattage tbd; 120v, 220v
compatibility most international
certification UL pending
weight variable
lead time 16 weeks