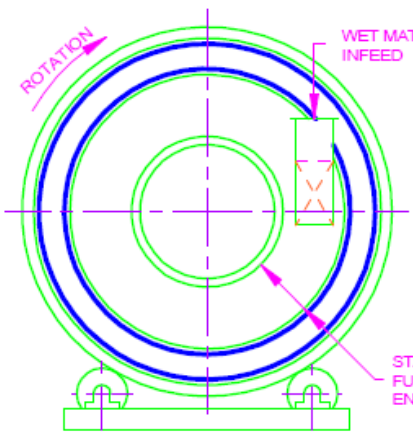
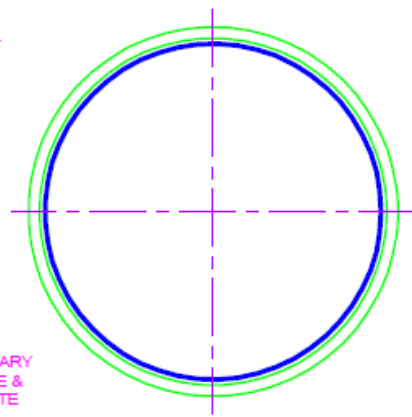


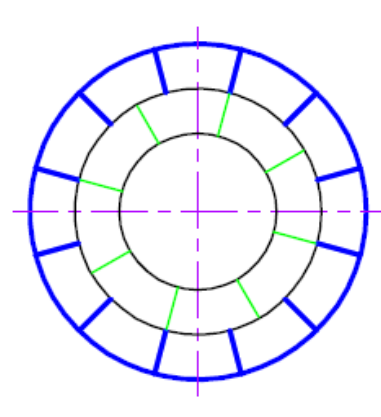
MATERIAL and GAS FLOW DIAGRAM
AS REQUIRED



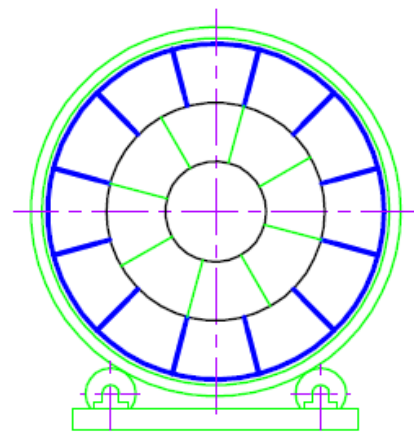
SECTION A-A
HOT GAS FURNACE AND MATERIAL INFEED



SECTION B-B
1ST LOW VELOCITY ZONE (ALSO THE 5TH ZONE)



SECTION C-C
2ND 3RD & 4TH ZONE GUSSET PATTERN



SECTION D-D
6TH 7TH & 8TH ZONE GUSSET PATTERN

U.S. PATENT NO. 7,155,841

REV	DATE	DESCRIPTION
08	09-08-09	REVISED TITLE - "IMPINGING STREAM"
07	06-29-09	UPDATE SECTION VIEWS (ZONE 1 AND 5)
06	01-02-07	U.S. PATENT NUMBER ADDED
05	04-04-05	"PATENT PENDING" NOTATION ADDED
04	03-18-05	ADDED NOTE AT SECTION B-B

Earth Care Products, Inc.
800 N. 21st Street
Independence, Kansas 67301
Office: 620-331-0090
Fax: 620-331-0095

THIS DRAWING AND THE DESIGN SHOWN THEREIN IS THE PROPERTY OF EARTH CARE PRODUCTS, INC. ANY DUPLICATION OR USE OF THIS PRINT FOR PURPOSES OTHER THAN THAT FOR WHICH IT WAS FURNISHED IS HEREBY PROHIBITED. COPYRIGHT FIRST PUBLISHED DATE, EARTH CARE PRODUCTS, INC. ALL RIGHTS RESERVED.

ENGINEERING DEPARTMENT		
CORPORATE OFFICE	INDEPENDENCE	KANSAS 67301
IMPINGING STREAM Z8 DRYER CONCEPT		
DRAWN BY: Matukewicz	DATE: DEC 16, 2004	SA-27-04
CHECKED BY:	JOB NO: 000	
SCALE: 3/16" = 1'-0"	FILE: SA-27-04.FCW	