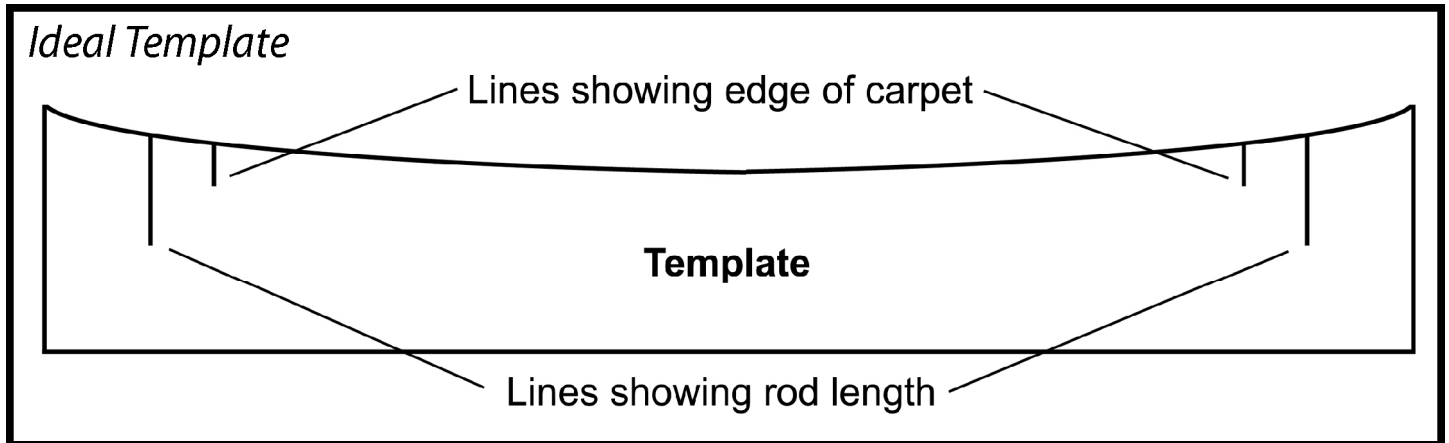


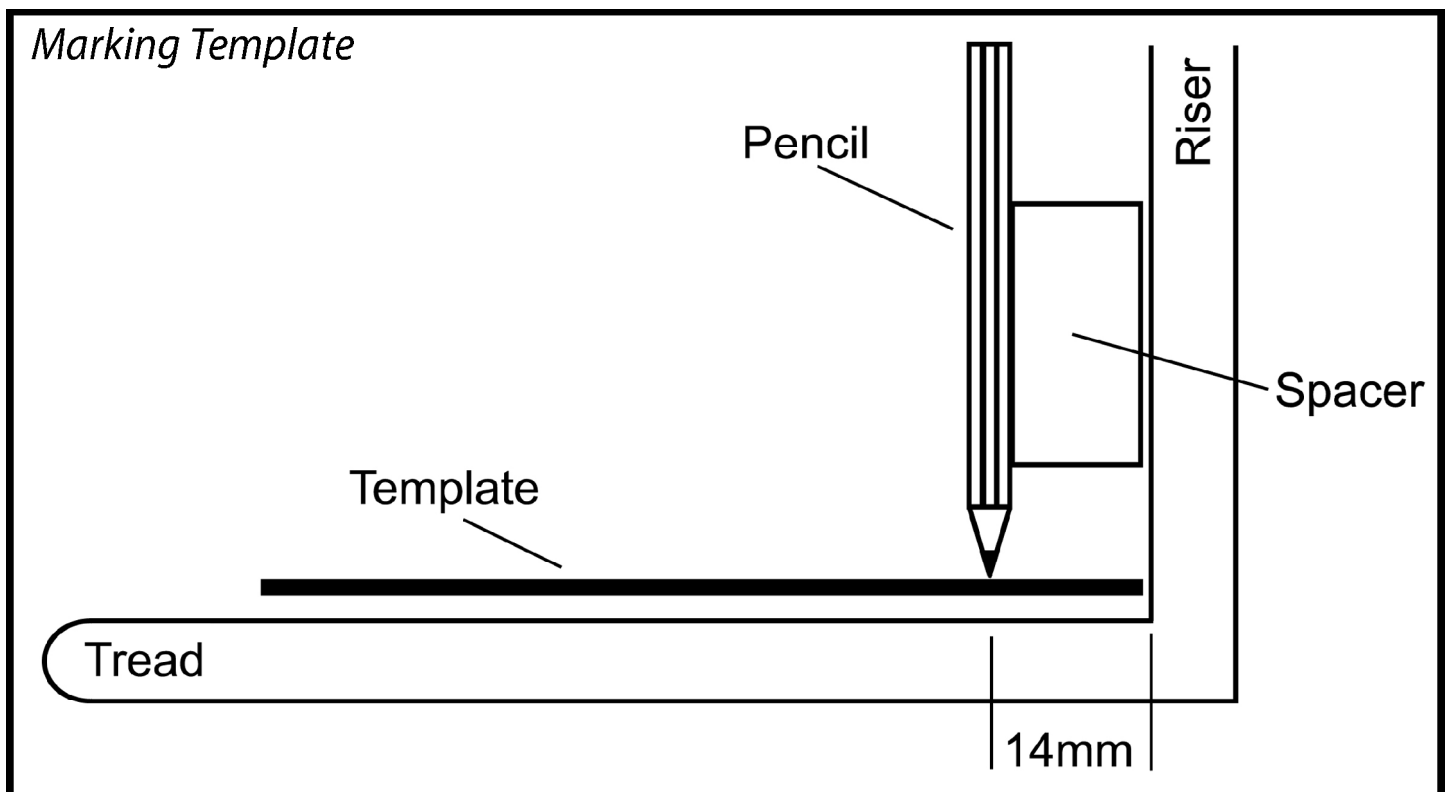
Submitting a template for curved stair rods

Here are a few guidelines for making good templates:

- The template should be on card which when laid flat gives the true curve.
- Dimensionally unstable products such as laminate underlay or thin vinyls can easily distort, so are unsuitable.
- The curve should be smooth and regular, not varying in and out from the line we have to follow.
- Ensure the edge of the carpet and the rod length required are clearly marked on the template.



If you are making the template on an uncarpeted stair, bear in mind that the rods lies approximately 14mm from the riser with carpet and gripper behind it. Therefore your pencil point should be 14mm from the riser when putting its mark on the template.



Stairrods (UK) Ltd

Unit 6 Park Road North Ind Est, Blackhill, Consett, Co Durham, DH8 5UN
Tel: +44 (0) 1207 591176 Fax: +44 (0) 1207 591911 www.stairrods.co.uk