

DUALPULSE – insertion flowmeters

DP490 & DP525 are cost effective stainless steel flowmeters for measuring the flow of water, fuels & other low viscosity liquids in pipes sizes 1.5" - 100" (40 - 2500mm).

Insertion flowmeters are installed with the metering head 1/8th into the pipe resulting in very little pressure drop. They do not require external power when used with the Flomec rate totalizers, however some options such as high temperature and non-magnetic models require external power.

Applications include HVAC, hot and cold water, fire systems, water distribution (management and treatment), boiler feed water and hydrant flow testing.

FEATURES:

- IP68 (NEMA6) submersible 316SS construction.
- Low cost of ownership, wide flow range.
- Rugged & compact design.
- Intrinsically safe hazardous area versions.
- Integral or remote pre-amplifiers & flow instruments.
- DP525 version suitable for “hot tap” installation.
- Quadrature pulse output option and Bi-Directional Flow Measurement
- Integral 4-20mA output option

Specifications

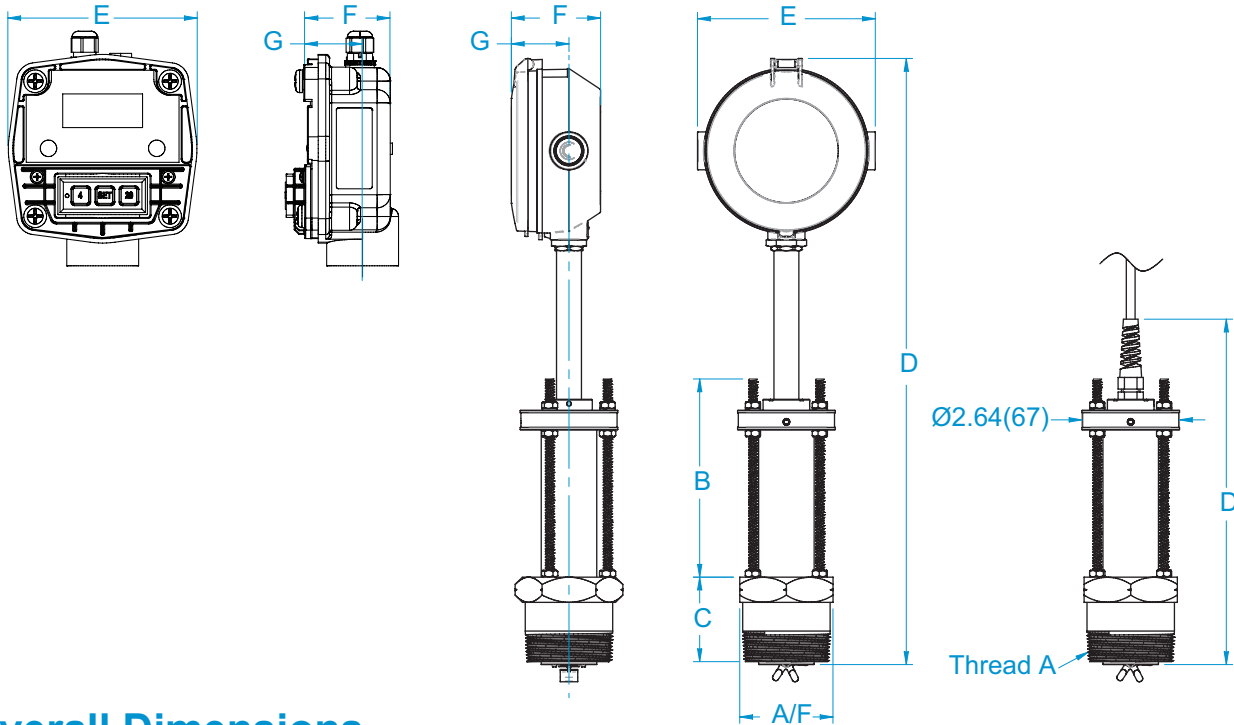
Model Prefix:	DP490	DP525
Suit pipe sizes:	1.5" - 35" (40 - 900mm)	2"-100" (50 - 2500mm)
Pipe connection:	1.5" or 2" BSPT or NPT male	2" BSPT or NPT male
Flow range:	4 - 99,600 USGM (0.25 - 6300 litres/sec)	6 - 780,000 USGM (0.4 - 49000 litres/sec)
Flow velocity range:	1 - 33 feet/sec (0.3 - 10 meters/sec)	
Linearity:	typically ± 1.5% with well established flow profile	
Temperature range:	-40°F - +300° F (-40° C - +150° C)	
Maximum pressure:	1160 psig (80 bar)	
Materials	316ss body and rotor shaft, PVDF rotor (PEEK rotor optional)	

Pulse Outputs

Reed switch:	30Vdc x 200mA (max.), Nom. 0 - 80hz
Hall effect:	3 wire NPN, 5 - 24 Vdc, 20mA (max.) Nom. 0 - 240hz
Voltage Pulse	Self generated voltage. Nom. 0 - 240hz
Non magnetic sensor:	3 wire NPN, 5-24Vdc max., 20mA max. Nom. 0 - 240hz
Optional outputs:	4-20mA, scaled pulse, quadrature pulse, flow alarms or two stage batch control
Protection class:	IP68 (NEMA6), integral ancillaries can be supplied I.S. (intrinsically safe)

* Reed Switch resolution is 1/3 that of the NPN Hall Effect or Voltage pulse outputs.





Overall Dimensions

CONFIGURATION	DP490	DP525			
A	1.5" BSP/NPT	2" BSP/NPT	All dimensions are inches ± .08 (millimeters ±2mm)		
B	7.79 (198)	17.48 (444)			
C	1.5 (38)	2.28 (58)			
A/F	2.38 (60)	2.5 (64)			
	DP490	DP525	DP490 / DP525		
CONFIGURATION	D	D	E	F	G
Terminal Head	15.16 (385)	34.21 (869)	--	--	--
BT Register	15.51 (394)	34.65 (880)	3.35 (85)	2.09 (53)	--
RT40 Register	14.96 (380)	34.06 (865)	4.45 (113)	2.48 (63)	1.89 (48)
RT12/EB Register	16.34 (415)	35.43 (900)	4.80 (122)	2.40 (61)	--
Flying Lead	9.33 (237)	16.69 (424)	--	--	--
BT / RT12/EB Register	--	--	--	--	1.57 (40)
*GG510-DB, GX510-DB	17.54 (445-5)	36.63 (930.4)	4.2 (106.7)	2.50 (63.5)	1.7 (43.2)

*Display Sold Separately

Service & Warranty: For technical assistance, warranty replacement or repair contact your Flomec distributor or GPI:

In North or South America: **888-996-3837 / GPI.net**

Outside North or South America: **+61 2 9540 4433 / flomec.com.au**