

# Secur™

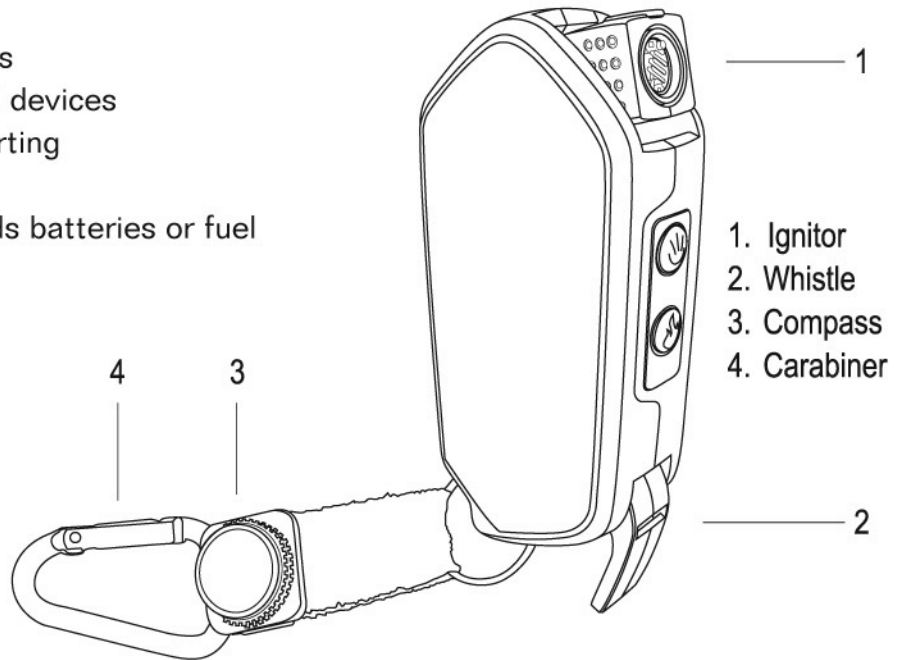
## LED Flashlight & Fire Starter

### Model SP-1000

**General Description:** Start a fire anywhere, anytime with this dynamo powered igniter. Includes a flashlight, emergency cell phone charger, compass and emergency whistle – all without batteries or fuel.

#### Product Features and Functions:

- Flashlight with two high power LEDs
- Charges cell phones or other digital devices
- Ignites under any conditions for starting fires or igniting other items
- Built-in dynamo power – never needs batteries or fuel
- Rainproof and windproof
- Magnetic Compass
- Emergency whistle
- Carabiner hanging ring



#### Technical Specifications:

##### Main Technical Parameters

###### 1) Electric Performance Parameters:

Max. Luminous flux	≥6 Lm
Lighting time after cranking for 1 minute	≥20 Minutes
Ignition times after being charged fully	10 Times
Lighting time after being charged fully	≥3 Hours
Charging time via 5±0.2V external power source	5-6 Hours
Cell Phone talking time after 3 minutes charging	≥3.5 Minutes

###### 2) Parameters Of External Power Source:

Specification of charging plugs	DC plug $\Phi 3.5 \times \Phi 1.1$
Input voltage	5±0.2V

###### 5) Others:

Specification of built-in battery	Chargeable lithium battery, 120mAh, 3.6 V
Motor	Brushless 300

###### 3) Main Parts Life-span:

LED light	≥50000 Hours
Switch	≥10000 Times
The whole unit	≥5 Years
The plastic part	≥5 Years

###### 4) Size And Weight:

Product size	4.25" X 2.15" X 1.4"
Product weight	4.5 Ounces

## **Operating Instructions:**

**Charging the Battery Using the Hand Crank:** Unlock the handle and crank clockwise at about 3 revolutions per second for 1 minute or more. Continue cranking for additional charging.

**Charging the Battery Using an External USB Power Source:** Use the USB cord with the male USB plug. Open the protective rubber cover on the side of the flashlight and plug the round pin into the DC port. Plug the male USB plug into any USB power source and the battery will start charging. The red charging light will glow when charging. Charge for approximately 5 hours for a full charge. (Charging time varies according to USB power source)

**Lighting Fires:** First fold out the igniter which is on the top of the flashlight on the opposite side of the LED lights. Hold down the lower button on the side of the flashlight. The fine metal strip in the head of the igniter will glow red hot. Touch a flammable material to the glowing metal strip such as paper or light wood kindling and it will ignite to start a fire. If you hold the igniter button down for more than 10 seconds it will automatically shut off to preserve the battery. Close the igniter and wait 3 seconds to ignite again.

**Flashlight:** To turn on the LED flashlight, press once on the upper button on the side of the flashlight. Press again to turn it off.

**Charging Digital Devices:** To charge cell phones, iPods or other digital devices, use the USB cord with the female USB plug. Open the rubber protective cover on the side of the flashlight and plug the round DC charging pin into the DC charging port on the side of the flashlight. Using the USB charging cable that came with your digital device, plug your male USB plug into the female USB plug that is included with the flashlight. Crank the dynamo generator handle clockwise at about 3 revolutions per second. Charging will continue for as long as you continue cranking. This is meant primarily for emergency charging and is not intended to fully charge your digital device batteries.

**Whistle:** On the bottom of the flashlight near the hanging strap is a whistle. Fold open the whistle and blow hard to use whistle.

**Compass:** A magnetic compass is built in to the hanging strap. Hold the compass parallel to the ground so that it is horizontal to read the compass. Make sure there are no large metal objects or electric items that may interfere with the compass reading.

## **Precautions:**

- To avoid injury, never shine the light directly into the eyes.
- Crank as evenly as possible and keep rotating steadily. Cranking too slowly will increase the charging time, cranking too quickly can damage the power generator.
- Be careful when cranking too avoid injury to fingers and fingernails
- To increase the lifespan of the battery, do not crank continuously for more than 3 minutes when the flashlight can light normally – and do not crank more than 10 minutes continuously when it can't light.
- Cranking the handle at least 1 minute once a month will prolong the life of battery.
- When charging via the USB port make sure to only use standard 5volt USB devices.
- Turn off the light when charging
- Never place the unit in very high heat or humidity

## **Standard Product Accessories:**

- Female USB plug with round DC charging pin
- Male USB plug with round charging pin
- Hanging strap with compass



HOUSEHOLD EMERGENCY PRODUCTS

## **Secur Products**

A Division of Maverick Industries  
94 Mayfield Avenue  
Edison, NJ 08837

[www.securproducts.com](http://www.securproducts.com)

07.2013

CE ♻️ Ⓢ ⓧ MADE IN CHINA