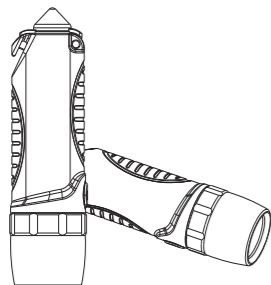


Secur

Waterproof rating: IPX8
Can be used up to nine feet under water

SP-4004: Emergency Flashlight & Powerbank 5000

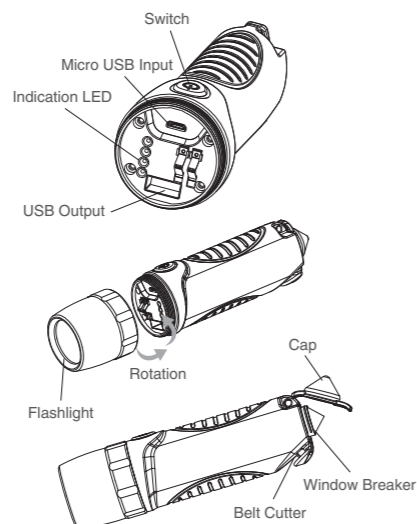
Thank you for purchasing the SP-4004 Emergency Flashlight & Powerbank 5000 from Secur Products. Before attempting to connect, charge or use the product, please read these instructions carefully to learn about the product features and functions and how you can get the most out of it.



USER MANUAL



Product:



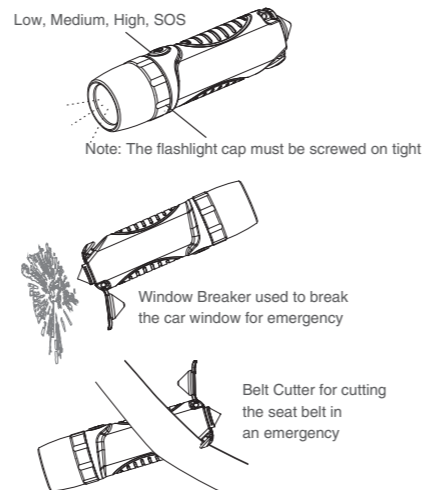
Accessories:



.1.

How to use the flashlight:

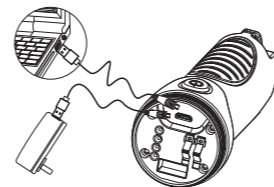
Press the on/off switch for 2 seconds to turn on the light. There are three light levels: Low, Medium, High – each press of the switch increases the level. Press the on/off switch twice continuously for the SOS blinking light and press it twice again to turn the SOS light off.



.2.

How to charge the Portable Charger:

Twist off the flashlight cap, plug the small micro USB plug into the flashlight and plug the larger USB plug into any USB power source. When fully charged four indication LEDs will be lit.



How to charge Mobile Devices:

Twist off the Flashlight Cap; plug the small micro USB plug into the mobile device, plug the larger USB plug into the larger USB port in the flashlight. If you are using an iPhone or iPad, please use your original USB cable that was provided with your device. Charging will start automatically.



*Four indication LEDs show the battery power level.

.3.

Product Specifications:

Battery type: lithium ion battery
Capacity: 3.7V/5,200mAh
USB output: 5V/1A
Micro USB input: 5V/1A
Charging time: about 12 hours (by laptop)
about 6.5 hours (by 5V/1A travel charger)
LED power: 3 watts – 225 Lumens
On/Off button: press the button for lighting
Power display: 4 indication LED lights show power level
Water proof rating: IPX8
Size: 6.3 inches x 1.8 inches x 1.8 inches
Weight: 7.4 ounces

Precautions:

- Do not puncture, throw, drop, bend or modify in any way
- Do not throw the battery into a fire
- Do not expose the battery to fire or excessive heat
- Do not short circuit the battery with lead or any metal objects
- Do not transport or store the battery next to a metal object such as nail clippers
- Avoid static electricity, strong magnetic fields & radiation
- Do not disassemble the battery pack or change its structure
- Stop using the battery when it generates unusual smell, heating, distortion or any other abnormalities
- Do not allow children to play with flashlight & charger
- Recycle according to local recycling and environmental regulations

.4.

LIMITED 1 YEAR WARRANTY

Maverick Industries Inc. warrants this product to be free of defects in parts, materials and workmanship for a period of 1 year from date of purchase. Should any repairs or servicing under this warranty be required, contact Maverick Customer Service by mail or phone for instructions on how to pack and ship the product to:

Maverick Customer Service
94 Mayfield Ave.
Edison NJ 08837

Do not send any parts or product to Maverick without calling and obtaining instructions and a Return Authorization Number. This warranty is VOID in the case of damage incurred accidentally or while failing to follow instructions, damage incurred during commercial use, damage incurred while in transit, or if the product has been tampered with. This warranty gives you specific legal rights. Additional rights may vary depending on the state you live in.

Secur

A Division of Maverick Industries Inc.,
94 Mayfield Avenue, Edison, NJ 08837

.5.