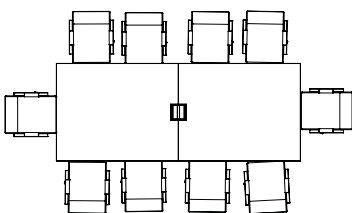


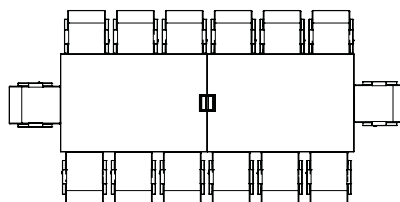
# ThinkTank Conference

Planning and Teamwork Strategies

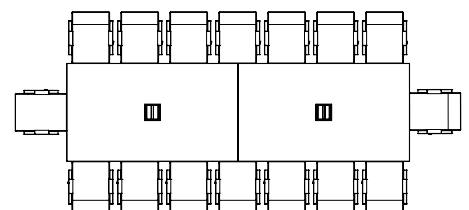
# scale<sup>1:1</sup>



10ft



12ft



14ft



Proudly designed and fabricated in California.

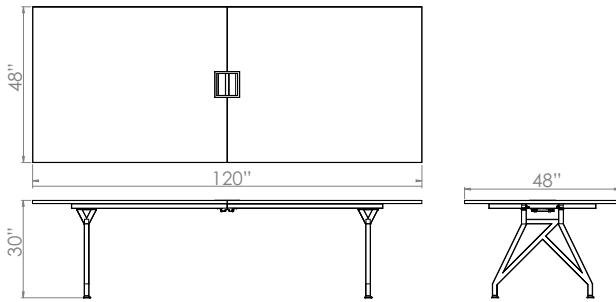


# ThinkTank Conference

Planning and Teamwork Strategies

scale<sup>1:1</sup>

10ft



**ThinkTank Conference:**

Laminate surface, optional with one or two power center ports. Custom sizes available.

**Desktop:**

Durable laminate work surface with tough 2mm PVC edge banding for long lasting quality and protection against bumps and dents.

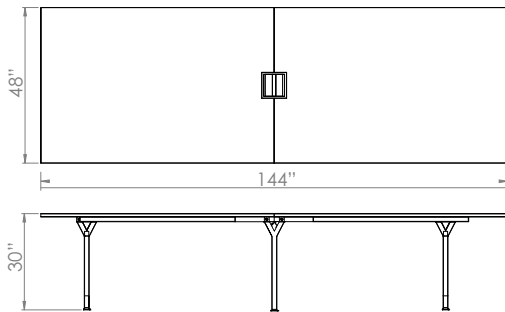
**Base & Legs:**

Built to last powder coated steel legs and frame with adjustable height levelers.

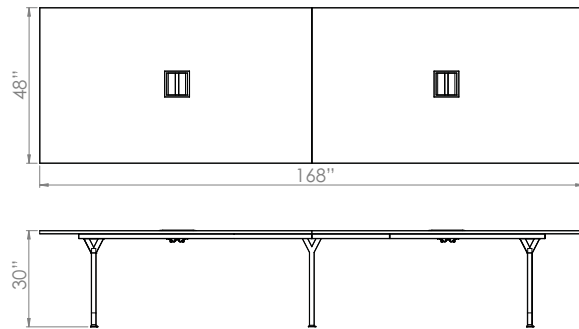
**Power/Data Modules:**

See electrical power and data for details. Custom ports configurations available.

12ft



14ft



**Power Options**



Pop-Up Power Unit  
SKU: CTPU-M2X



Flip-top Power Unit  
SKU: CTPU-E2X



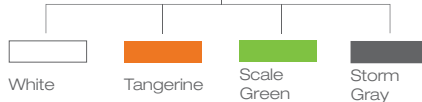
Konduit wire spine

**desktop finish & edge banding options**

Laminate options:



Edge Banding options:



**ordering**

ThinkTank Conference

TK CT

**Size**

- 8: 8Ft
- 10: 10Ft
- 12: 12Ft
- 14: 14Ft

**Laminate**

- WM: White Matte
- WG: White Gloss
- MP: Maple
- BW: Brasil Wood
- SC: Sandcastle

**Edge Banding**

- W: White
- TN: Tangerine
- SG: Scale Green
- SY: Storm Gray
- MP: Maple
- BW: Brasil Wood
- SC: Sandcastle

