

Lifting Beams



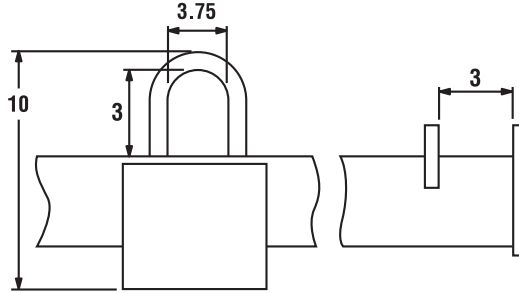
Model 27SL - Bulk Container Lifting Beams

PRODUCT FEATURES:

- Constructed of tubing for smooth surface with no sharp edges.
- Low headroom design.
- Easily attach to load with open lifting lugs.
- Lug spacing will hold up to a 3" wide loop.
- Oversized lifting eye to accept a wide range of hooks.
- Complies with ASME standards.



QUICKSHIP PROGRAM



NOTE: All dimensions shown in inches.



SPECIFICATIONS

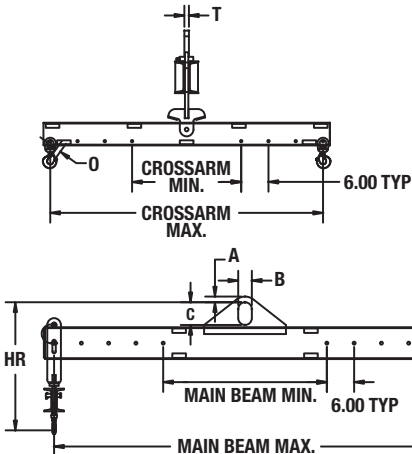
Model Number	Capacity (lbs.)	Span (in.)	Weight (lbs.)
27SL-1-36	2200	36	150
27SL-1-48	2200	48	185
27SL-2-36	4400	36	155
27SL-2-48	4400	48	190

Other sizes available, please consult factory.

Model 27SD - Standard Adjustable Four Point Lifting Beam

PRODUCT FEATURES:

- Low headroom design.
- Swivel hooks with latches standard.
- Adjustable spreads on 1' increments.
- Faspins for easy crossarm adjustment.
- Complies with ASME standards.



SPECIFICATIONS

Model Number	Capacity (tons)	Dimensions (inches)								Weight (lbs.)
		Main Beam Min./Max.	Crossarms Min./Max.	HR	Bail				O	
					A	B	C	T		
27SD-3-84/60	3	36/84	24/60	28.2	1.25	3	5	1	0.97	375
27SD-5-120/96	5	48/120	36/96	32.7	2	4	7	1.25	1.06	760
27SD-10-144/96	10	72/144	36/96	42.0	2	4	7	1.25	1.41	1530

Custom sizes and capacities available. Please fill out the Lifting Beam Application Evaluation on page A.21.