

Coil Lifters and Upenders



The Caldwell Group • 800-628-4263 • www.caldwellinc.com

Strong-Bac® Section
2011-2013 Master Catalog

Model 82LA - Slit Coil C-Hook

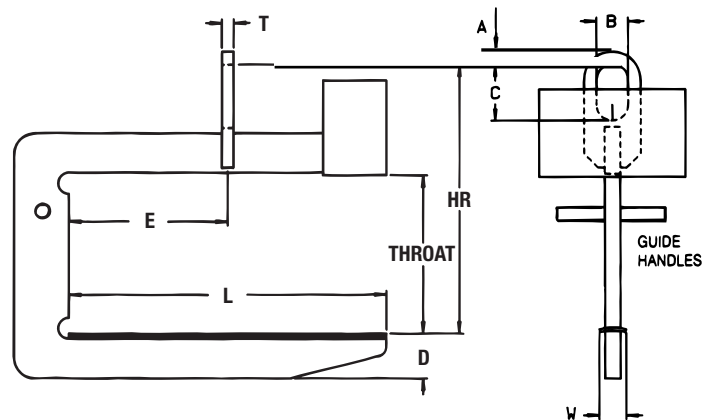
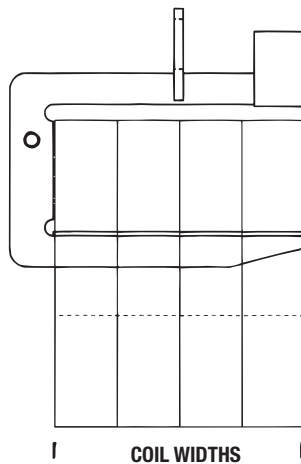


PRODUCT FEATURES:

- Designed for heavy duty applications.
- Handles multiple slit coils which maximizes handling efficiency.
- Recessed counterweight minimizes interference with equipment or other obstacles.
- High tensile alloy steel plate reduces physical size and weight.
- Counter balanced to hang level when empty.
- Inside radius on hooks avoid coil edge contact.
- Curved coil saddle is standard.
- Guide handles for ease of hook positioning.
- Available with optional padding for additional coil protection.
- Complies with ASME standards.



WARNING
Center of the hoist and bail must be in-line with the load's center of gravity.



NOTE: $E = L \div 2$

SPECIFICATIONS

Model Number	Capacity (tons)	Dimensions (inches)										Weight (lbs.)
		Coil Width Max.	Throat	Lifting Arm				Bail Dimensions			Thk. T	
				Length L	Depth D	Width W	HR Headroom	Opening				
A	B	C										
82LA-5-36	5	36	24	36	5-5/16	4	37-1/4	1-1/2	4	7	1-1/4	450
82LA-5-48		48	24	48	6-1/8	4	38	1-1/2	4	7	1-1/4	555
82LA-5-60		60	24	60	6-9/16	4	38-9/16	1-1/2	4	7	1-1/4	649
82LA-7 1/2-36	7-1/2	36	24	36	5-5/8	4	37-5/8	1-1/2	4	7	1-1/2	496
82LA-7 1/2-48		48	24	48	6-5/16	4	38-5/16	1-1/2	4	7	1-1/2	731
82LA-7 1/2-60		60	24	60	7-1/8	4	38-7/8	1-1/2	4	7	1-1/2	898
82LA-10-48	10	48	24	48	7-3/16	4	41-1/8	2	5	9	1-3/4	932
82LA-10-60		60	24	60	7-5/16	4	41-1/8	2	5	9	1-3/4	1281
82LA-10-72		72	24	72	7-1/4	4	41-1/8	2	5	9	1-3/4	1570
82LA-15-48	15	48	30	48	7-1/4	4	47-7/8	2	5	9	1-3/4	1510
82LA-15-60		60	30	60	8	4	48	2	5	9	1-3/4	1789
82LA-15-72		72	30	72	8-7/8	4	48-3/4	2	5	9	1-3/4	2120
82LA-20-60	20	60	30	60	9-1/8	4	52-1/8	2-3/4	6	12	2	2125
82LA-20-72		72	30	72	9-15/16	4	52-15/16	2-3/4	6	12	2	2485
82LA-25-60	25	60	34	60	9-1/8	4	57-3/4	3-1/4	6	14	2-1/2	2840
82LA-25-72		72	34	72	9-3/4	4	58-1/2	3-3/4	6	14	2-1/2	3350

Other sizes available, consult factory.