

Fork Beams

Models 5, 10 & 15 - Fork Lift Beams

Caldwell Fork Lift Beams are specifically designed to make fork lifts more versatile by providing positive handling of loads otherwise impractical for fork lifts.



PRODUCT FEATURES:

- Easy attachment, no special wrenches or tools needed.
- Strong, sturdy, all welded construction.
- Easy to see, highly visible yellow paint.
- Custom designs available.

IN-STOCK PROGRAM

QUICKSHIP PROGRAM

WARNING
Capacity of lift truck and attachment combination may be less than capacity shown on attachment. Consult lift truck manufacturer.

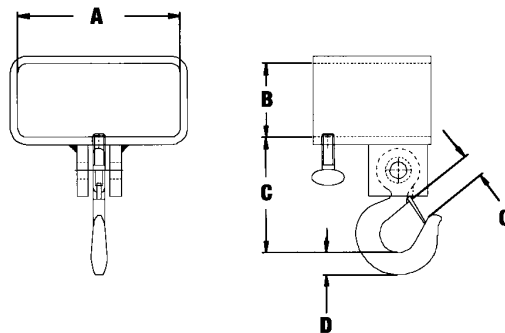
Model 5 - Single Fork Hook - Fixed or Swivel



(Fixed hook shown)



(Swivel hook shown)



SPECIFICATIONS

Model Number	Model Number	Rated Capacity (lbs.)	Dimensions (in.)						Weight (lbs.)
			A	B	C	C	D	O	
5-1 1/2-4	5S-1 1/2-4	3000	4-1/2	2-1/2	4-11/16	6-9/16	1	1	7
5-1 1/2-5	5S-1 1/2-5	3000	5-1/2	2-1/2	4-11/16	6-9/16	1	1	8
5-1 1/2-6	5S-1 1/2-6	3000	6-1/2	2-1/2	4-11/16	6-9/16	1	1	9



The Caldwell Group • 800-628-4263 • www.caldwellinc.com

Lif-Truc™ Section
2011-2013 Master Catalog