

Pipe & Manhole Handling



The Caldwell Group • 800-628-4263 • www.caldwellinc.com

Model CPP - Pipe Pick™

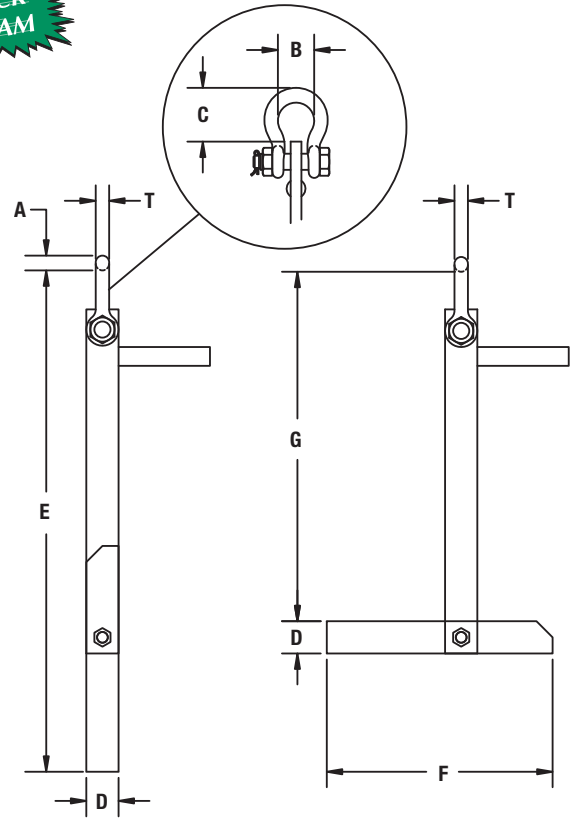
The patented concrete Pipe Pick™ is a quicker, safer, and cleaner way of handling precast concrete pipe.

PRODUCT FEATURES:

- Simple and fast.
- No need to reach inside the pipe.
- Worker remains above the pipe at all times.



IN-STOCK PROGRAM



Patent No. 5,820,186

The bigger the job, the more you'll like the Pipe Pick™.



WARNING
Use only for vertical lifting.

SPECIFICATIONS

Model Number	Capacity (tons)	Dimensions (in.)					Bail Dimensions (in.)				Weight (lbs.)
		Minimum Pipe I.D.	D	E	F	G	A	B	C	T	
CPP-1.5	1-1/2	12	1.5	23.5	10.25	17.75	0.69	1.69	1.81	0.63	10
CPP-3	3	14	2	28.5	12.00	22.50	0.81	2.00	2.19	0.75	18
CPP-5	5	16	2.75	43.75	13.0	38.75	1.06	2.69	2.75	1.00	46

Pipe & Manhole Handling



The Caldwell Group • 800-628-4263 • www.caldwellinc.com

Model CPP - Pipe Pick™

Simply insert the **Pipe Pick™** into the lifting hole in the pipe — tilt — to engage the beveled edge — and lift up! You can now lift and set the pipe.



Insert



Tilt



Lift

To remove the **Pipe Pick™** once the pipe is set, lower the **Pipe Pick™**; the counter weighted lift arm automatically falls straight and the **Pipe Pick™** can be removed from the pipe.



Lower



Tilt



Remove