

Special Applications

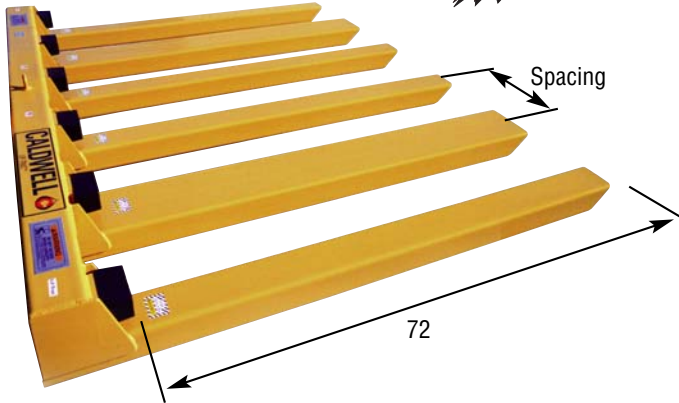


The Caldwell Group • 800-628-4263 • www.caldwellinc.com

Lif-Truc™ Section
2011-2013 Master Catalog

Model MFL - Multiple Pipe Lifter

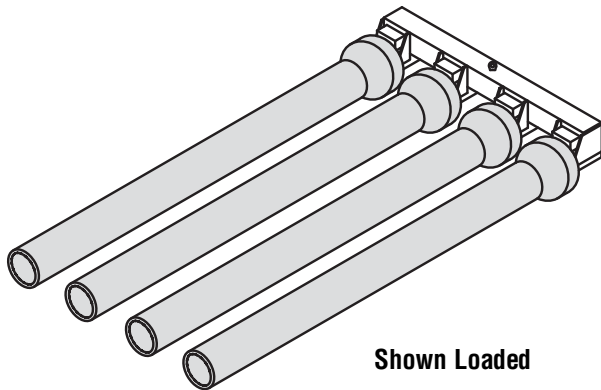
Can help you move your concrete pipe up to 3 times faster than with a standard fork truck. Quickly and easily loads up to 6 pipes at a time* onto a flat bed truck. Increased efficiency saves both time and money moving and loading concrete pipe.



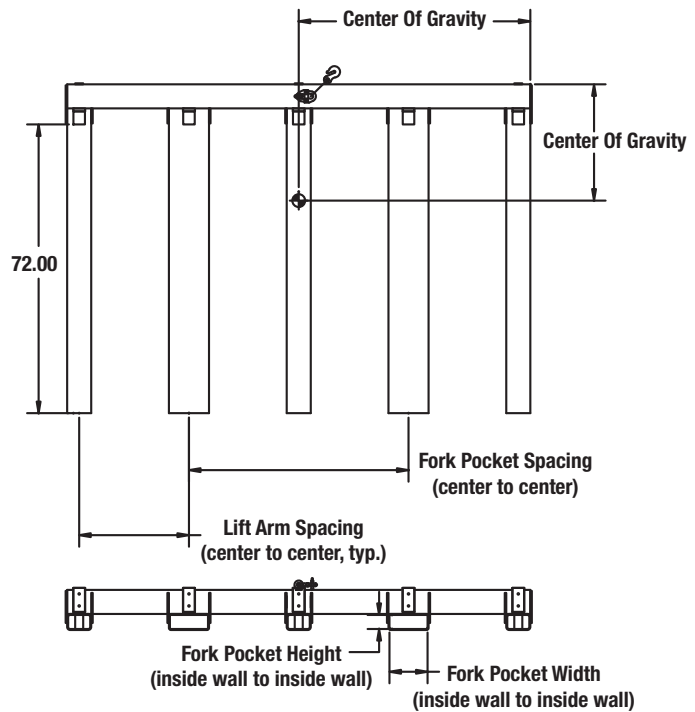
NOTE: Dimensions shown in inches.

PRODUCT FEATURES:

- Lifter can pick up 4, 5, or 6 pipes at a time.*
- Save time and money moving and loading concrete pipe.
- Rubber bumpers help protect pipe from damage.
- Heavy duty design.
- Pockets are open for easy cleaning and water drainage.
- Restraining chain with grab hook standard.
- Complies with OSHA requirements.



Shown Loaded



SPECIFICATIONS

Model Number	Pipe Size I.D. (in.)	Lifting Arms		Fork Pockets (in.)		Max. Load Per Fork (lbs.)	Max. Lifter Capacity (lbs.)	Center of Gravity From Bumper (in.)	Unit Weight (lbs.)
		Qty.	Spacing (in.)	Width x Height	Centers				
MFL-12-4	12	4	20	7.5 x 3.5	20	1200	4800	30.50	650
MFL-12-6	12	6	20	9.5 x 3.5	60	1200	7200	31.00	980
MFL-15-5	15	5	24	9.5 x 3.5	48	1500	7500	30.50	860
MFL-18-5	18	5	27	9.5 x 3.5	54	2000	10000	29.00	860
MFL-21-5	21	5	30	9.5 x 3.5	60	2300	11500	29.00	910

NOTE: Pipe lifter is designed for ASTM C76 bell and spigot pipes with A or B wall thickness.

Other sizes are available, please consult factory.

Capacity/load information based off of model's center of gravity from bumper.

* Quantity of lifting arms is the maximum number of pipes that can be handled in a single lift.

WARNING

Capacity of lift truck and attachment combination may be less than capacity shown on attachment. Consult lift truck manufacturer.