

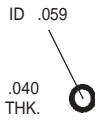
**REFERENCE**

**WALKER CARBURETOR  
KIT #15576B**

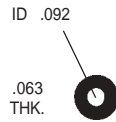
**ZENITH-STROMBERG**

**"APPLICATION"**

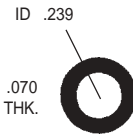
**CRICKET / TRIUMPH  
MG / VOLVO**



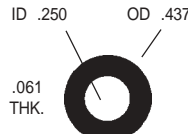
**715F  
WATER CHOKE  
O-RING**



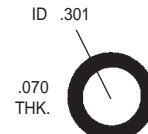
**705F  
IDLE NEEDLE  
SEAL O-RING**



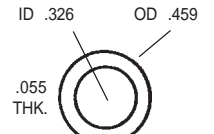
**G272  
FUEL INLET  
O-RING**



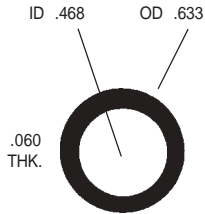
**953F  
TEMPERATURE  
WASHER**



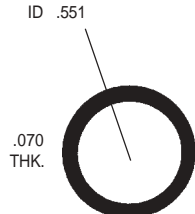
**G278  
FUEL VALVE  
SEAT O-RING**



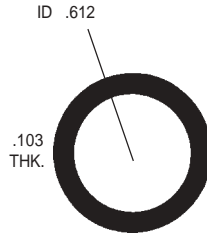
**21F  
FUEL INLET  
FITTING WASHER**



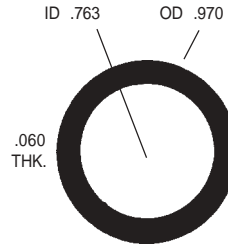
**952F  
TEMPERATURE  
WASHER**



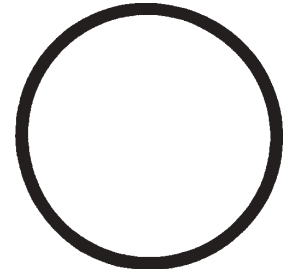
**707F  
DAMPER O-RING**



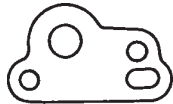
**687F  
FLOAT CHAMBER  
PLUG O-RING**



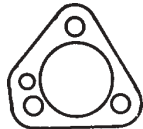
**626F  
MAIN BODY  
SEAL WASHER**



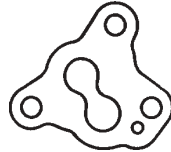
**714F  
WATER CHOKE  
HOUSING O-RING**



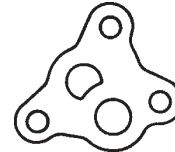
**384F  
IDLE AIR  
REGULATOR GASKET**



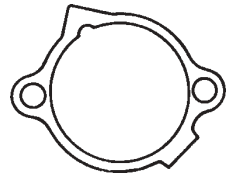
**385F  
VACUUM BREAK  
COVER GASKET**



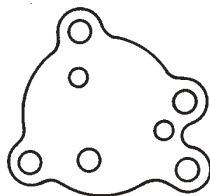
**355F  
THROTTLE BYPASS  
GASKET**



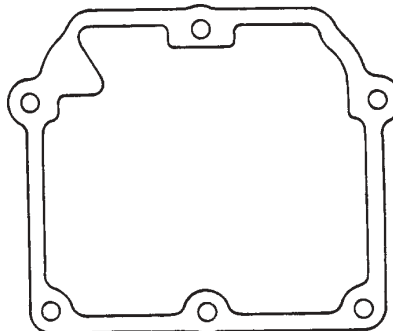
**413F  
THROTTLE BYPASS  
VALVE GASKET**



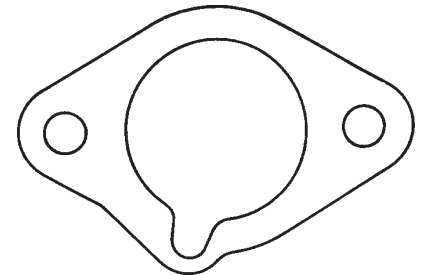
**356F  
STARTER COVER  
GASKET**



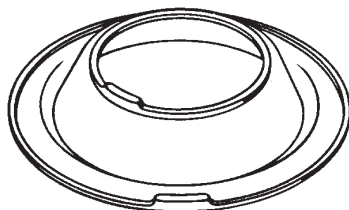
**383F  
CHOKE MOUNTING GASKET**



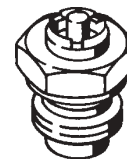
**872F  
BOWL COVER GASKET**



**495F  
FLANGE GASKET**



**561F  
AIR VALVE  
DIAPHRAGM**



**31-591  
NEEDLE & SEAT  
ASSEMBLY**

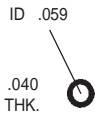
**REFERENCE**

**WALKER CARBURETOR  
KIT #15577B**

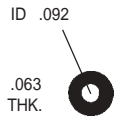
# ZENITH-STROMBERG

**"APPLICATION"**

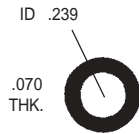
**AUSTIN/MG/TRIUMPH/JETSEN  
ROVER/TVR/LOTUS/SAAB/VOLVO**



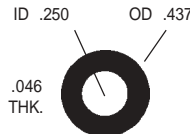
**715F  
WATER CHOKE  
O-RING**



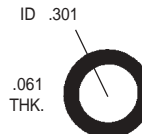
**705F  
IDLE NEEDLE  
SEAL O-RING**



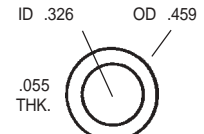
**G272  
FUEL INLET  
O-RING**



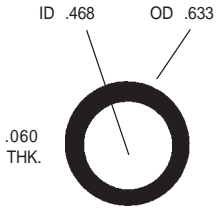
**953F  
TEMPERATURE  
WASHER**



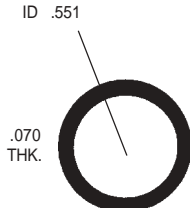
**G278  
FUEL VALVE  
SEAT O-RING**



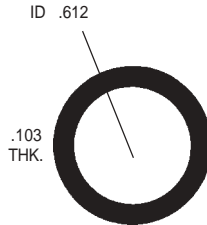
**21F  
FUEL INLET  
FITTING WASHER**



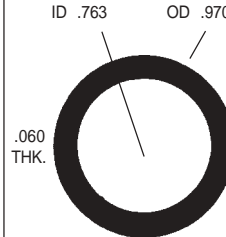
**952F  
TEMPERATURE  
WASHER**



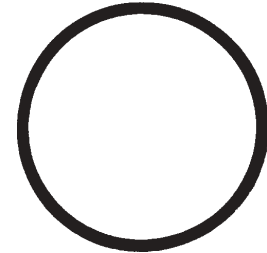
**707F  
DAMPER O-RING**



**687F  
FLOAT CHAMBER  
PLUG O-RING**



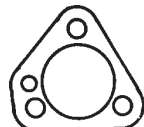
**626F  
MAIN BODY  
SEAL WASHER**



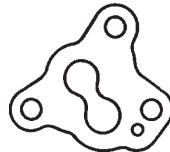
**714F  
WATER CHOKE  
HOUSING O-RING**



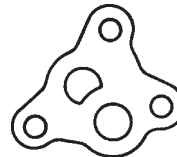
**384F  
IDLE AIR  
REGULATOR GASKET**



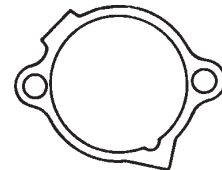
**385F  
VACUUM BREAK  
COVER GASKET**



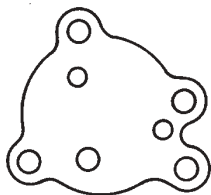
**355F  
THROTTLE BYPASS  
GASKET**



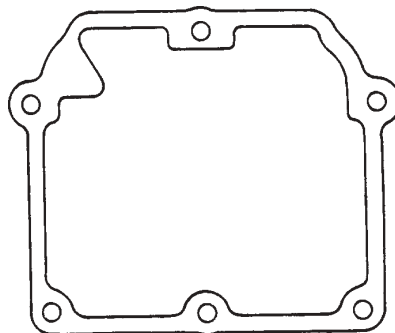
**413F  
THROTTLE BYPASS  
VALVE GASKET**



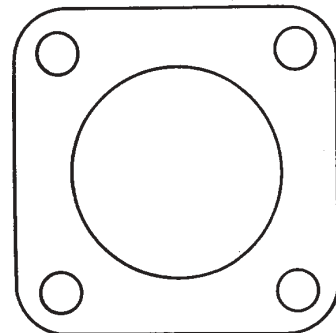
**356F  
STARTER COVER  
GASKET**



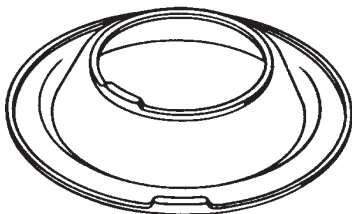
**383F  
CHOKE MOUNTING GASKET**



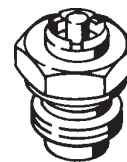
**872F  
BOWL COVER GASKET**



**231F  
FLANGE GASKET**



**833F  
AIR VALVE  
DIAPHRAGM**



**31-591  
NEEDLE & SEAT  
ASSEMBLY**

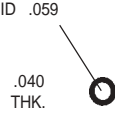
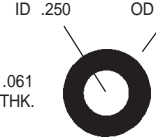
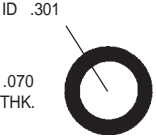
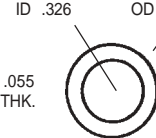
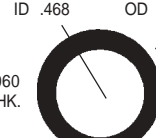
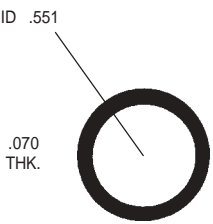
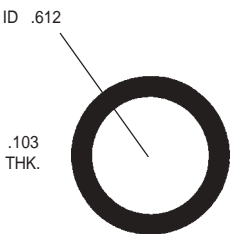
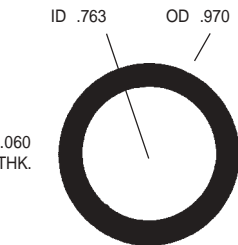
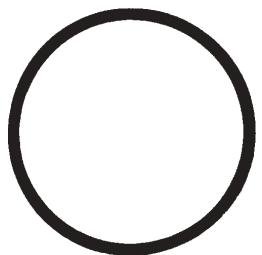
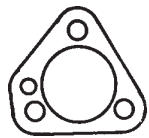

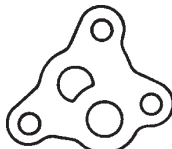
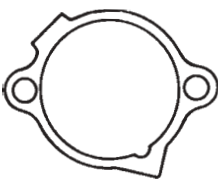
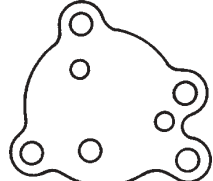
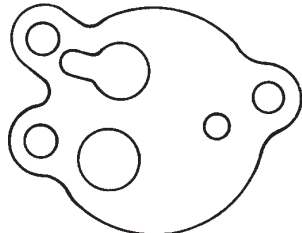
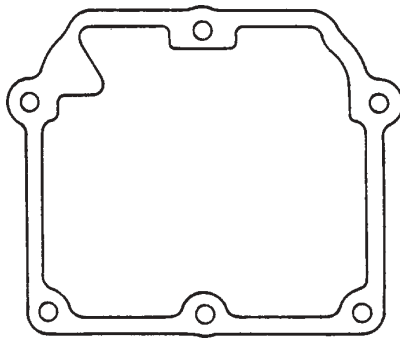
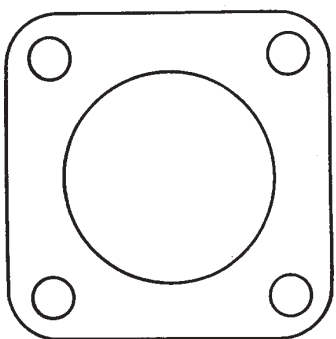
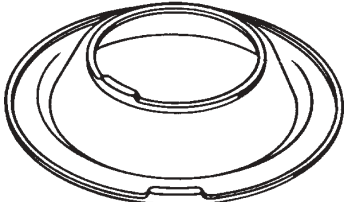
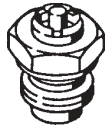
**REFERENCE**

**WALKER CARBURETOR  
KIT #15645A**

**ZENITH-STROMBERG**

**"APPLICATION"**

**JAGUAR (6 cyl).....1977-67  
JAGUAR (12 cyl).....1975-71**

 <p><b>715F WATER CHOKE O-RING</b></p>	 <p><b>953F TEMPERATURE WASHER</b></p>	 <p><b>G278 FUEL VALVE SEAT O-RING</b></p>	 <p><b>21F FUEL INLET FITTING WASHER</b></p>	 <p><b>952F TEMPERATURE WASHER</b></p>
 <p><b>707F DAMPER O-RING</b></p>	 <p><b>687F FLOAT CHAMBER PLUG O-RING</b></p>	 <p><b>626F MAIN BODY SEAL WASHER</b></p>	 <p><b>714F WATER CHOKE HOUSING O-RING</b></p>	
 <p><b>385F VACUUM BREAK COVER GASKET</b></p>	 <p><b>355F THROTTLE BYPASS GASKET</b></p>	 <p><b>413F THROTTLE BYPASS VALVE GASKET</b></p>	 <p><b>356F STARTER COVER GASKET</b></p>	 <p><b>383F CHOKE MOUNTING GASKET</b></p>
 <p><b>661F STARTER HOUSING GASKET</b></p>		 <p><b>872F BOWL COVER GASKET</b></p>	 <p><b>231F FLANGE GASKET</b></p>	
 <p><b>833F AIR VALVE DIAPHRAGM</b></p>			 <p><b>31-660 NEEDLE &amp; SEAT ASSEMBLY</b></p>	