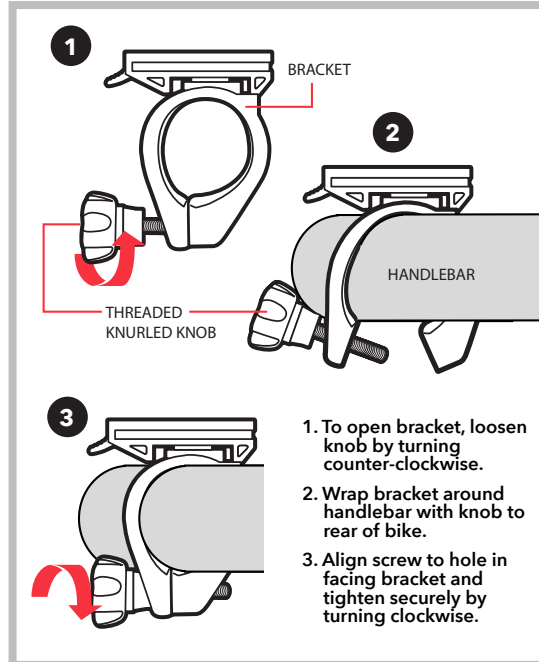


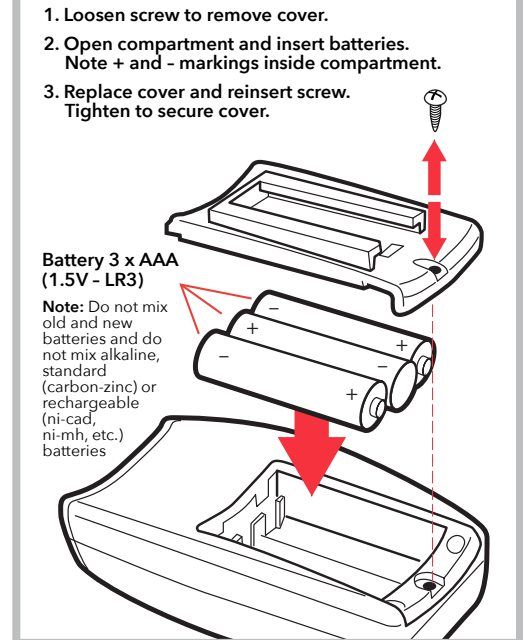
## Manta Front Light Usage Instructions

- The Zéfal MANTA headlight is water-resistant. Although the housing is water-resistant (under normal weather conditions of rain, etc.) never intentionally submerge it under water.
- If the housing or parts become dirty or have been exposed to any contaminants or dirt, gently clean with soft towel using mild soap and water only. Lubricate and maintain the light body with silicon based grease on the O-rings. Never use harsh chemicals to clean the lighting system as damage to the housing and lens will occur.
- Safely and properly dispose of the old batteries according to your local regulations.
- Never place this lighting system within a child's reach.
- For ultimate safety, the Zéfal MANTA Headlight should be used in conjunction with a rear safety LED, reflectors, and possible additional front lighting deemed necessary.
- Always wear an approved bicycle helmet, when riding.
- Riding a bicycle at night is dangerous and could result in injury or possible death.
- In addition to its brightness, the beam is widely diffused. In case you need to use this light on public roads, be sure to adjust the angle downward so as not to blind oncoming traffic.

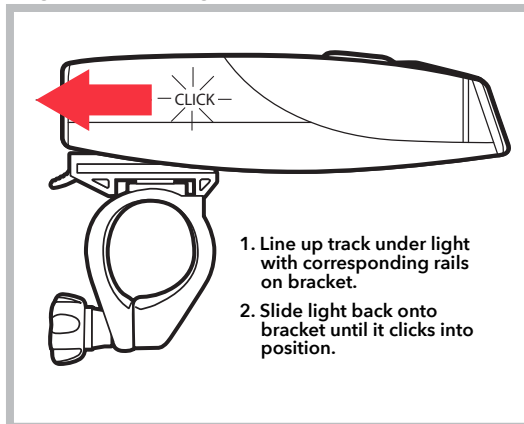
## Handlebar Bracket Installation



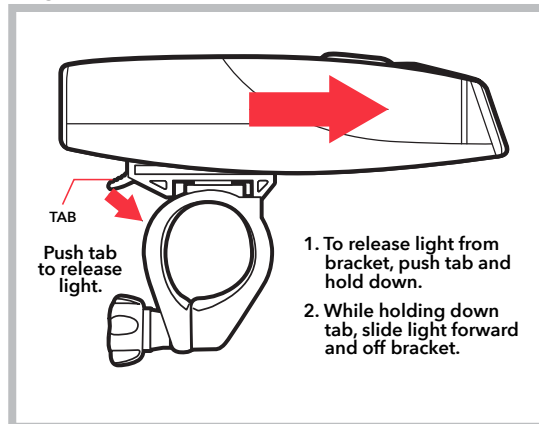
## Battery Installation



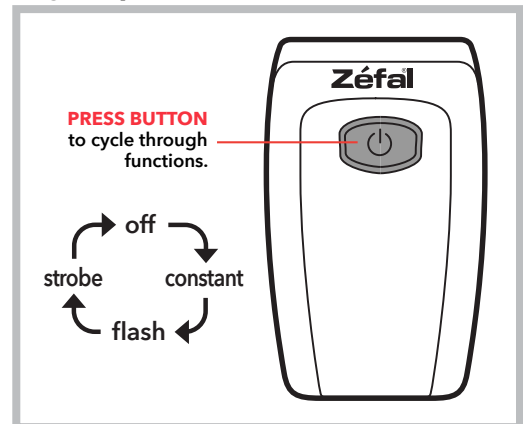
## Light Mounting



## Light Removal



## Light Operation



For maximum run times, please use premium brand batteries.

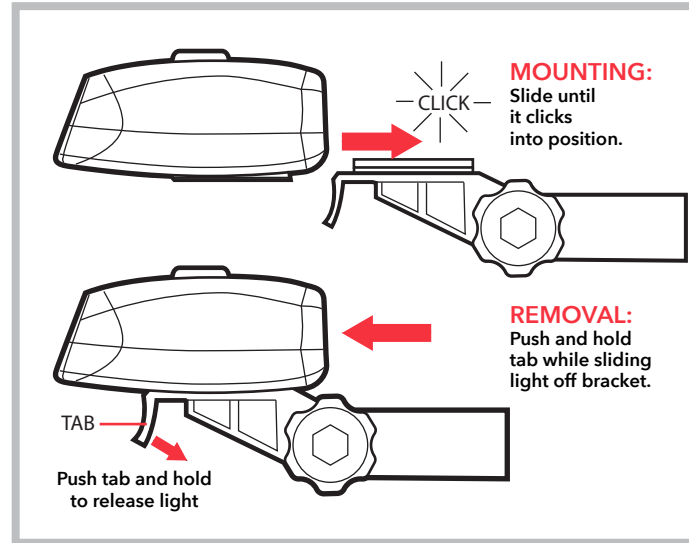
**Note:** Do not mix old and new batteries and do not mix alkaline, standard (carbon-zinc) or rechargeable (ni-cad, ni-mh, etc.) batteries

For customer assistance call  
**800-278-2565**

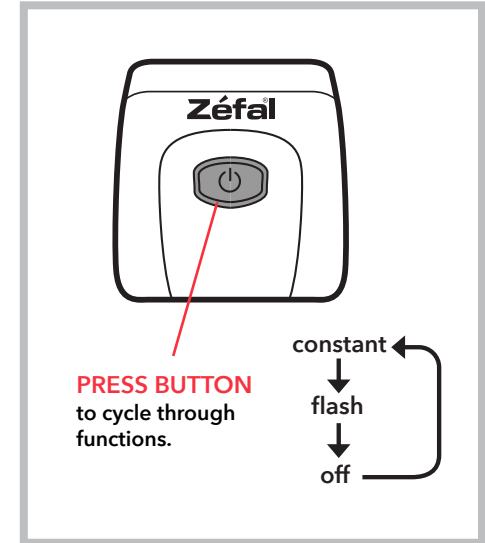
### Manta Rear Tail Light Usage Instructions

- The Zéfal MANTA tail light is water-resistant. Although the housing is water-resistant (under normal weather conditions of rain, etc.) never intentionally submerge it under water.
- If the housing or parts become dirty or have been exposed to any contaminants or dirt, gently clean with soft towel using mild soap and water only. Never use harsh chemicals to clean the lighting system as damage to the housing and lens will occur.
- Safely and properly dispose of the old batteries according to your local regulations.
- Never place this lighting system within a child's reach.
- For ultimate safety, the Zéfal MANTA Tail Light should be used in conjunction with reflectors, and possible additional front lighting deemed necessary.
- Always wear an approved bicycle helmet, when riding.
- Riding a bicycle at night is dangerous and could result in injury or possible death. Lights do not prevent accidents. Use caution.

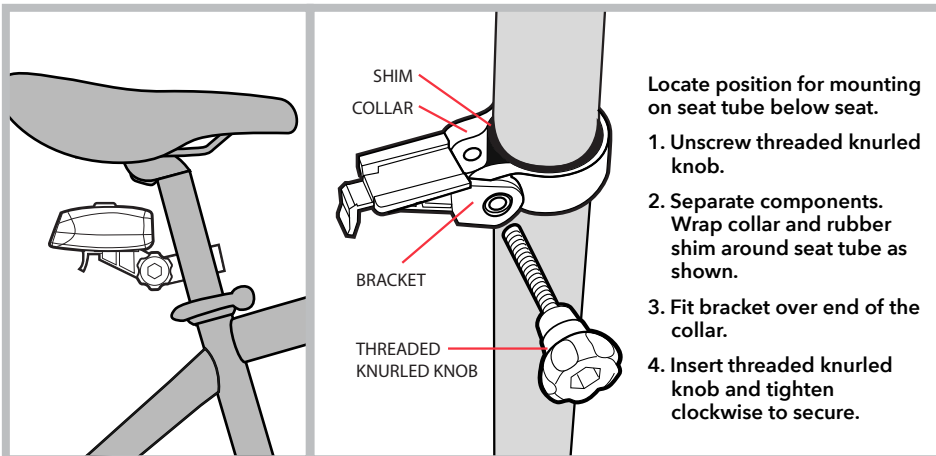
### Light Mounting & Removal



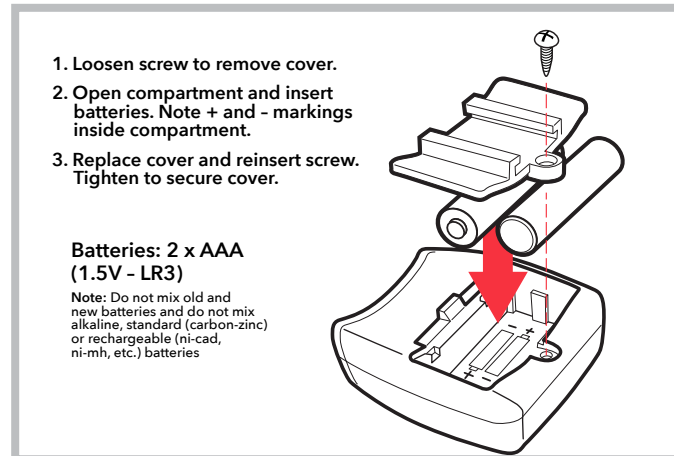
### Light Operation



### Seat Post Installation Mounting Instructions



### Battery Installation



**For maximum run times, please use premium brand batteries.**

Note: Do not mix old and new batteries and do not mix alkaline, standard (carbon-zinc) or rechargeable (ni-cad, ni-mh, etc.) batteries