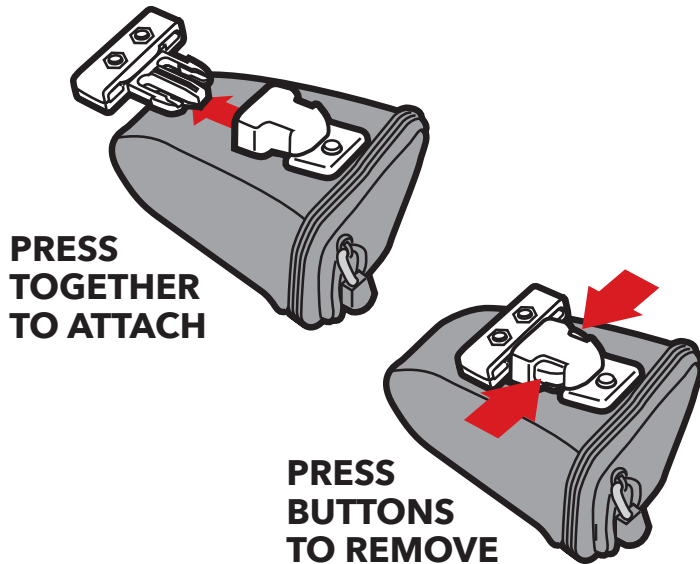
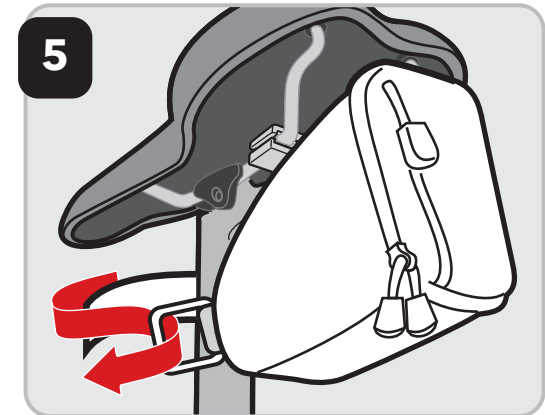
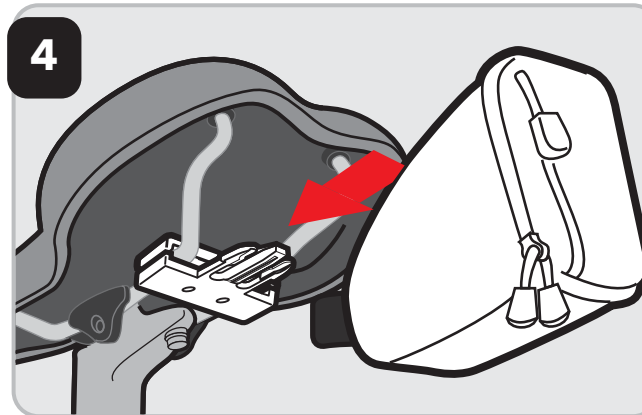
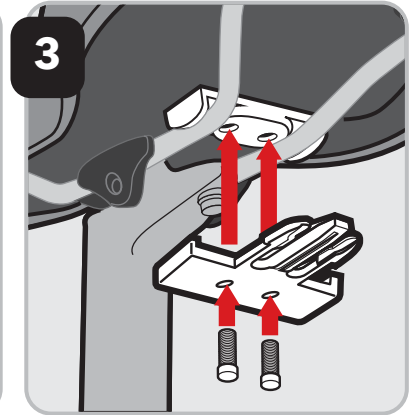
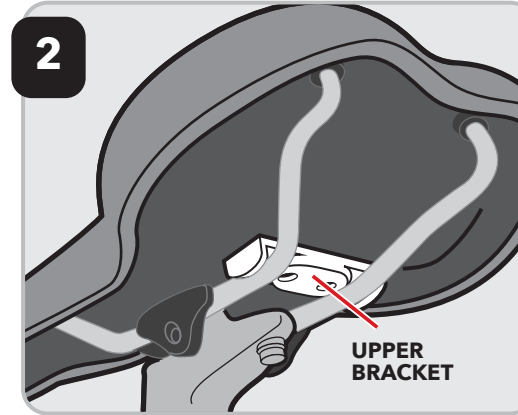
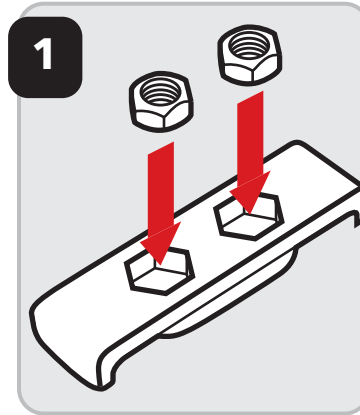


TO ATTACH AND REMOVE

- 1) Insert nuts into top bracket.
- 2) Place upper bracket above seat rails.
- 3) Use 5mm Allen wrench to attach lower bracket to upper bracket with screws. Tighten securely.
- 4) Line up bracket on top of bag with seat bracket. To connect - Push together until fully inserted. Press buttons and pull to remove.
- 5) Wrap Velcro™ strap around seat post. Thread thru buckle and secure.



Requires 5 mm Allen Wrench

For customer assistance call
800-278-2565