

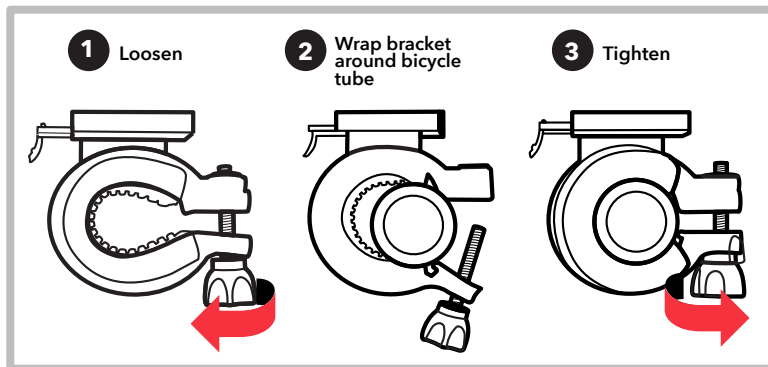
Head Light Usage Instructions

1. The Zéfal LED Head Light is water-resistant. Although the light body is water-resistant (under normal weather conditions of rain, etc.) never intentionally submerge it under water.
2. If the light body or parts become dirty or have been exposed to any contaminants or dirt, gently clean with soft towel using mild soap and water only. Lubricate and maintain the light body with silicon based grease on the O-rings. Never use harsh chemicals to clean the lighting system as damage to the housing and lens will occur.
3. Safely and properly dispose of the old batteries according to your local regulations.
4. Never place this lighting system within a child's reach.
5. For increased safety, the Zéfal LED Head Light should be used in conjunction with a rear safety LED, reflectors, and possible additional front lighting deemed necessary.
6. Always wear an approved bicycle helmet, when riding.
7. Riding a bicycle at night is dangerous and could result in injury or possible death.
8. In addition to its brightness, the beam is widely diffused. In case you need to use this light on public roads, be sure to adjust the angle downward so as not to blind oncoming traffic.

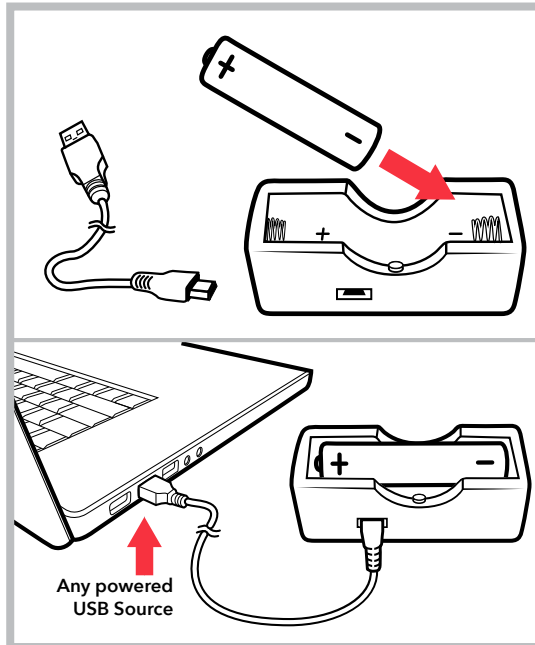
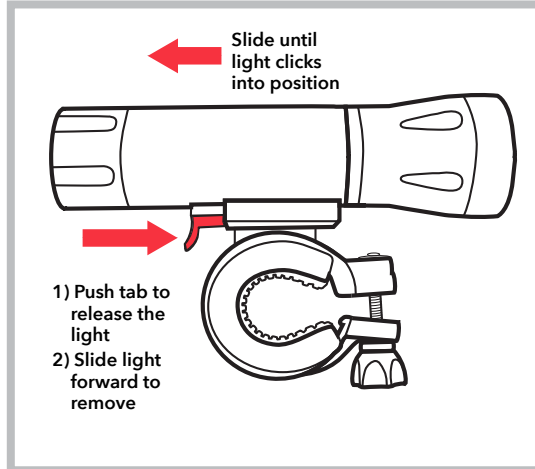
For maximum run times, please use premium brand batteries.

Note: Do not mix old and new batteries and do not mix alkaline, standard (carbon-zinc) or rechargeable (ni-cad, ni-mh, etc.) batteries

Bracket Installation



Light Mounting and Removal



Basic Charging

- Insert the battery into the charger, negative (-) end of the battery first.
- Connect the power cord to the battery charger.
- Then plug the standard USB plug into a power USB port.
- The charger LED will illuminate red in color to indicate the battery is charging.
- When fully charged the charger LED will change to green.
- Disconnect the charger USB cord from the powered USB port.
- Remove the battery from the charger

NOTE: Do not leave the charger plugged in when powering up a computer or while the computer is off.

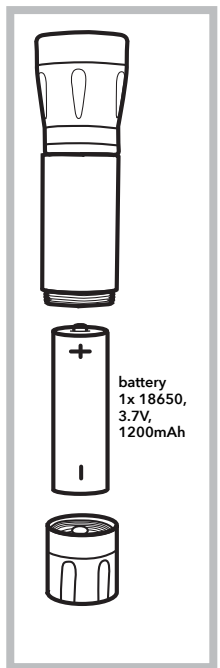
NOTE: Before use, fully charge the batteries.

NOTE: It is normal a new battery to take a few charging cycles to reach maximum battery capacity.

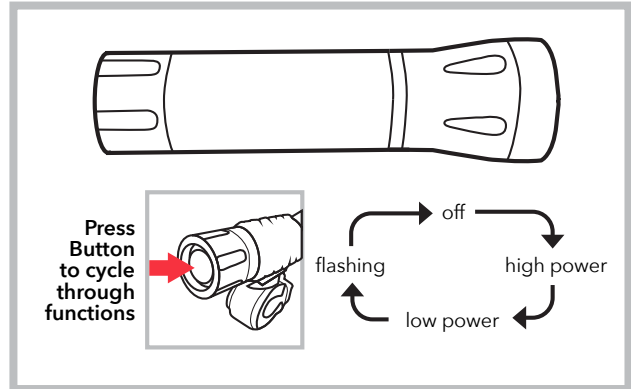
NOTE: When light is not being used for a prolonged period time it is recommended to recharge the battery once every 3 months to help maintain the rechargeable battery.

NOTE: Do not let the battery fully (100%) discharge as it may cause damage to the battery and result in the battery not being able to be recharged.

Battery Replacement



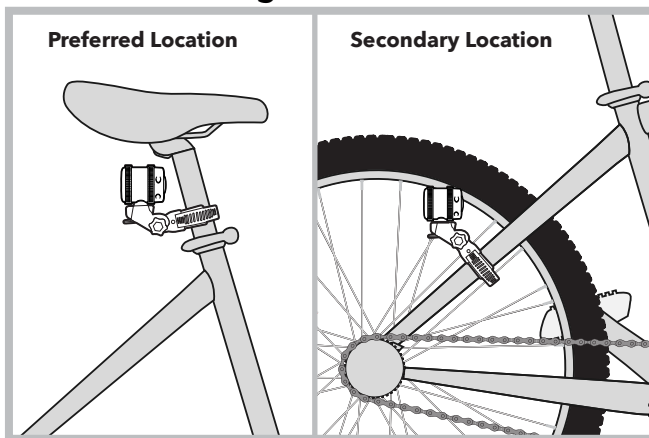
Light Operation



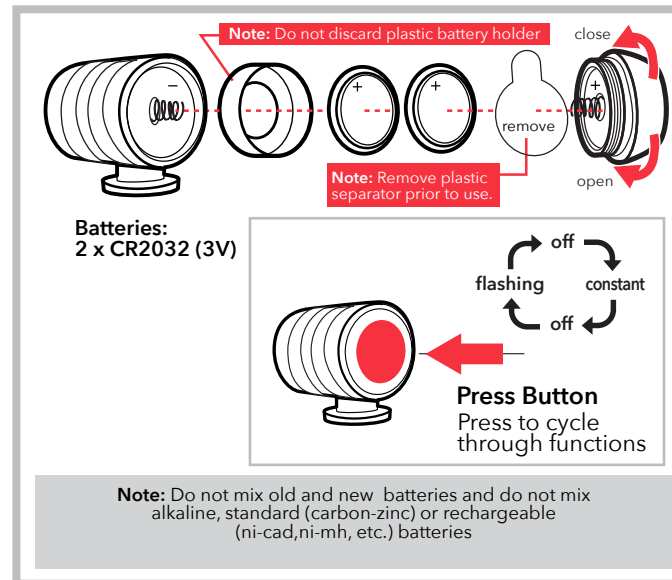
Led Tail Light Usage Instructions

1. The Deluxe Tail Light is water-resistant. Although the light body is water-resistant (under normal weather conditions of rain, etc.) never intentionally submerge it under water.
2. If the light body or parts become dirty or have been exposed to any contaminants or dirt, gently clean with soft towel using mild soap and water only. Never use harsh chemicals to clean the lighting system as damage to the housing and lens will occur.
3. Safely and properly dispose of the old batteries according to your local regulations.
4. Never place this lighting system within a child's reach.
5. For ultimate safety, the Deluxe Tail Light should be used in conjunction with reflectors, and possible additional front lighting deemed necessary.
6. Always wear an approved bicycle helmet, when riding.
7. Riding a bicycle at night is dangerous and could result in injury or possible death.

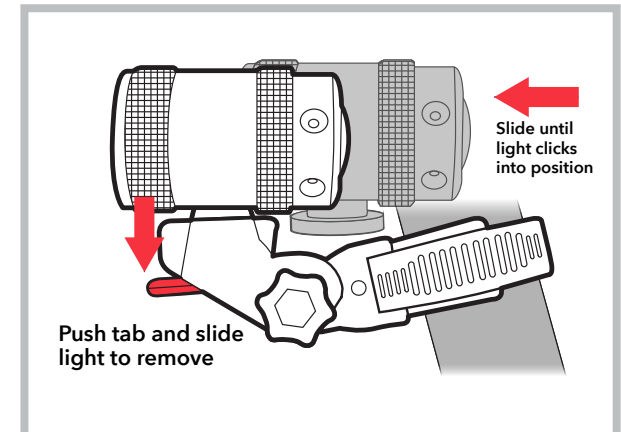
Possible Mounting Locations



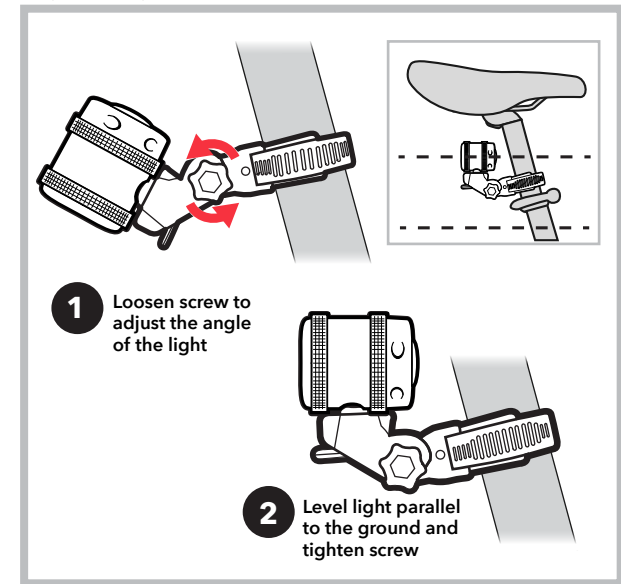
Operation



Light Mounting & Removal



Light Adjustments



Bracket Installation

