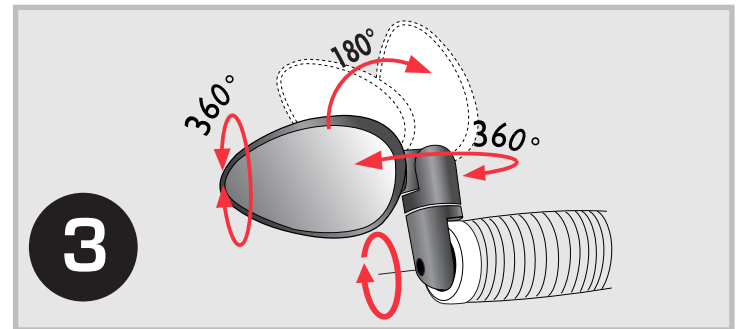
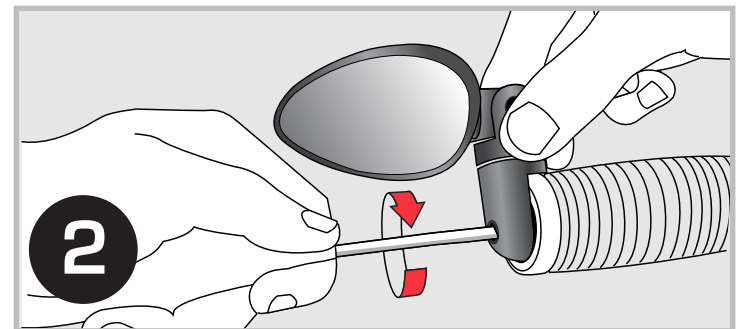
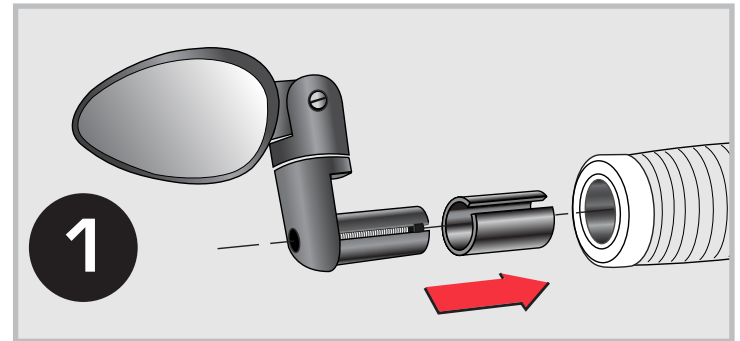
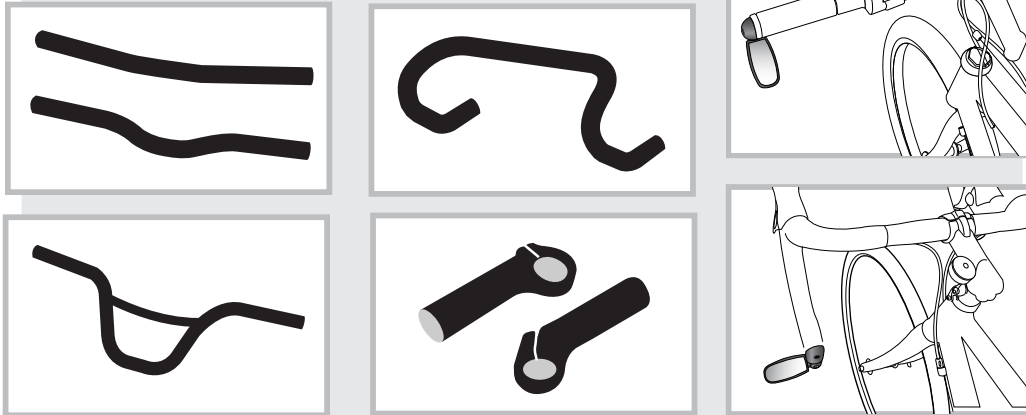
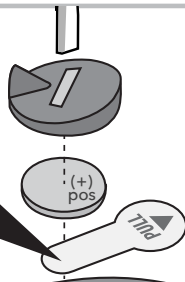


UNIVERSAL MOUNTING



NOTE:
REMOVE PLASTIC
SEPARATOR
PRIOR TO USE



Battery Replacement

- 1) Use screwdriver or coin to open battery compartment
- 2) Insert battery positive (+) side up
- 3) Replace cap and tighten

Battery = 1 x CR2032 (3V) (included)

Note: Do not mix old and new batteries.
Do not mix alkaline, standard (carbon-zinc) or rechargeable (ni-cad, ni-mh, etc.) batteries.

This device complies with Part 15 of the FCC Rules. Operation is subject to the following two conditions: (1) This device may not cause harmful interference, and (2) this device must accept any interference received, including interference that may cause undesired operation.