

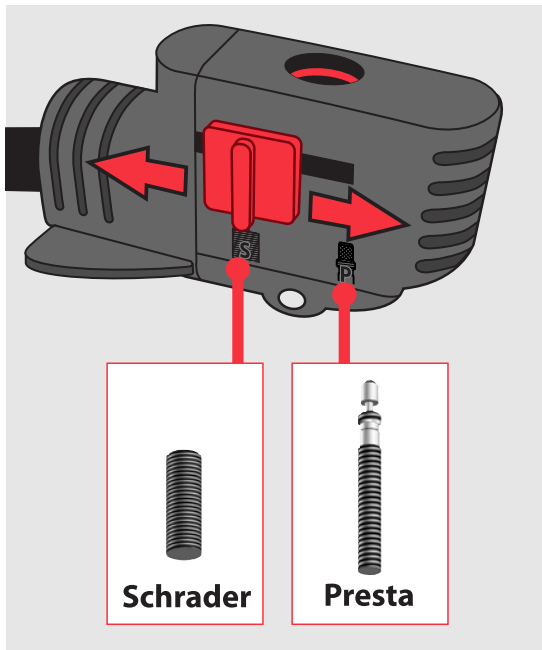
Zéfal[®]

INSTRUCTIONS

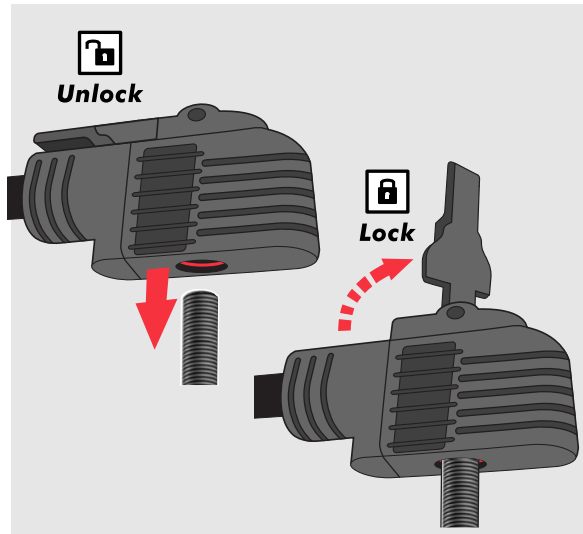
5600

Airmax Floor Pump

The patented Z-Switch System developed by Zéfal allows the user to convert from Presta to Schrader valve with the simple flick of a thumb.

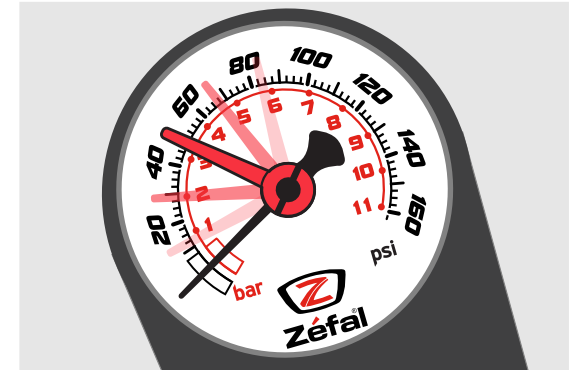


Slide red switch to select desired valve type.



TO INFLATE:

- Slide pump head onto valve stem.
- Lift thumb lever to lock head onto valve stem, then pump to inflate to desired pressure.
- Lower thumb lever to unlock the pump head from valve stem then slide pump head off of valve stem.



TO SET PRESSURE:

- Rotate the red knob located at the center of the gauge to the desired PSI prior to inflating.
- During inflation the black PSI needle will move.
- When the black needle reaches the red needle you have reached your desired pressure.



Periodically lubricate the pump barrel with a couple of drops of oil.

For customer assistance call
800-278-2565

PRODUCT INFORMATION • INSTRUCTIONS • CUSTOMER SERVICE

Distributed by Todson, Inc., 4 Cocasset Street, Foxboro, MA 02035. Manufactured under EU, US, and international patents. The distinctive shapes, style, packaging, configurations and overall appearances of all Zéfal products are trademarks of Zéfal. Zéfal is a registered trademark and exclusively licensed to Todson, Inc.

usa.zefal.com