



1-3 Commercial Rd, Notting Hill VIC 3168
1300 CLADDING ABN: 13141735686
Ph: 03 95610896 Fax: 03 9560 6903
Email: info@archclad.com.au
Web: www.archclad.com.au

ARCHCLAD EXPRESS™

Scale:

1:5

Rev:

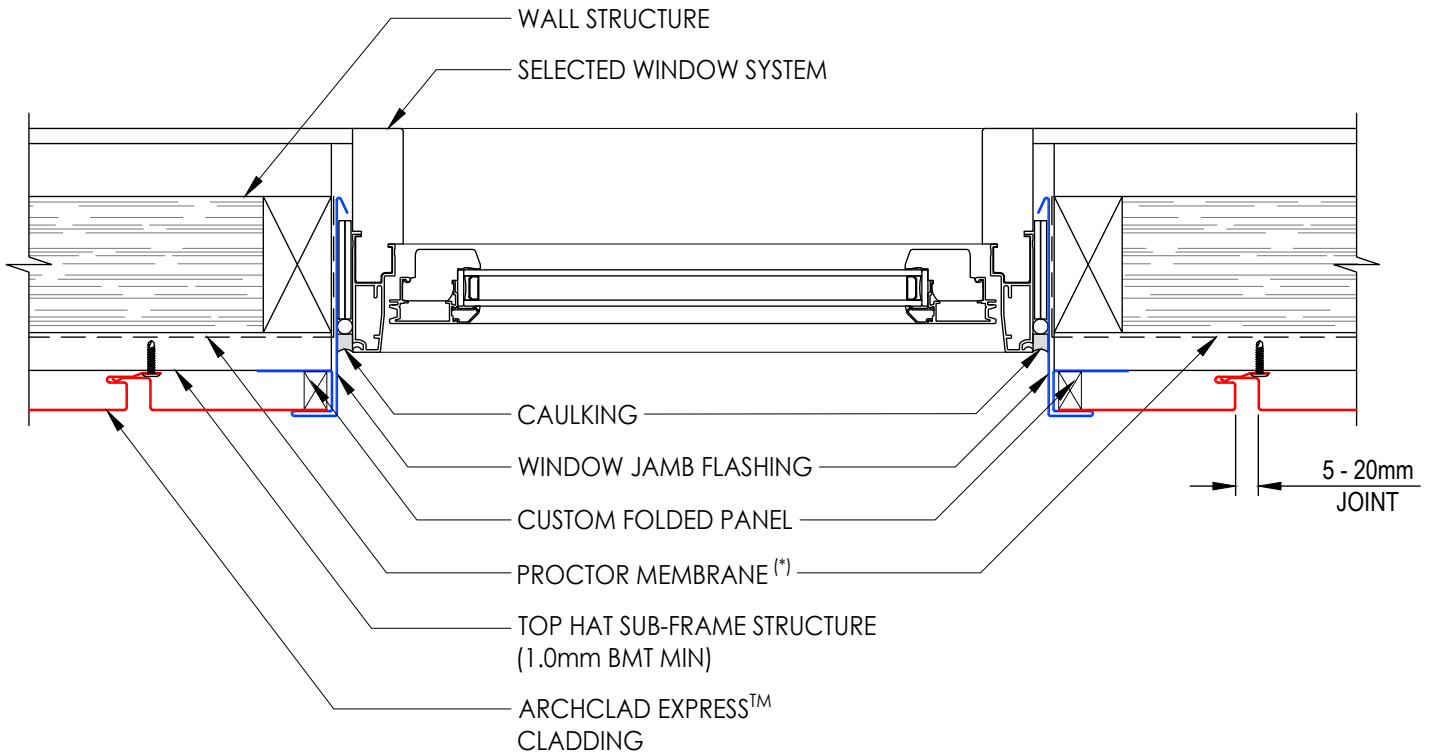
A

Title:

WINDOW JAMB FLASHING

Dwg No:

AE-DT-W1



DETAIL - W1 (WINDOW JAMB FLASHING)

(*) PROCTOR MEMBRANE CAN BE
INSTALLED BEHIND OR IN FRONT
OF TOPHAT SUB-STRUCTURE





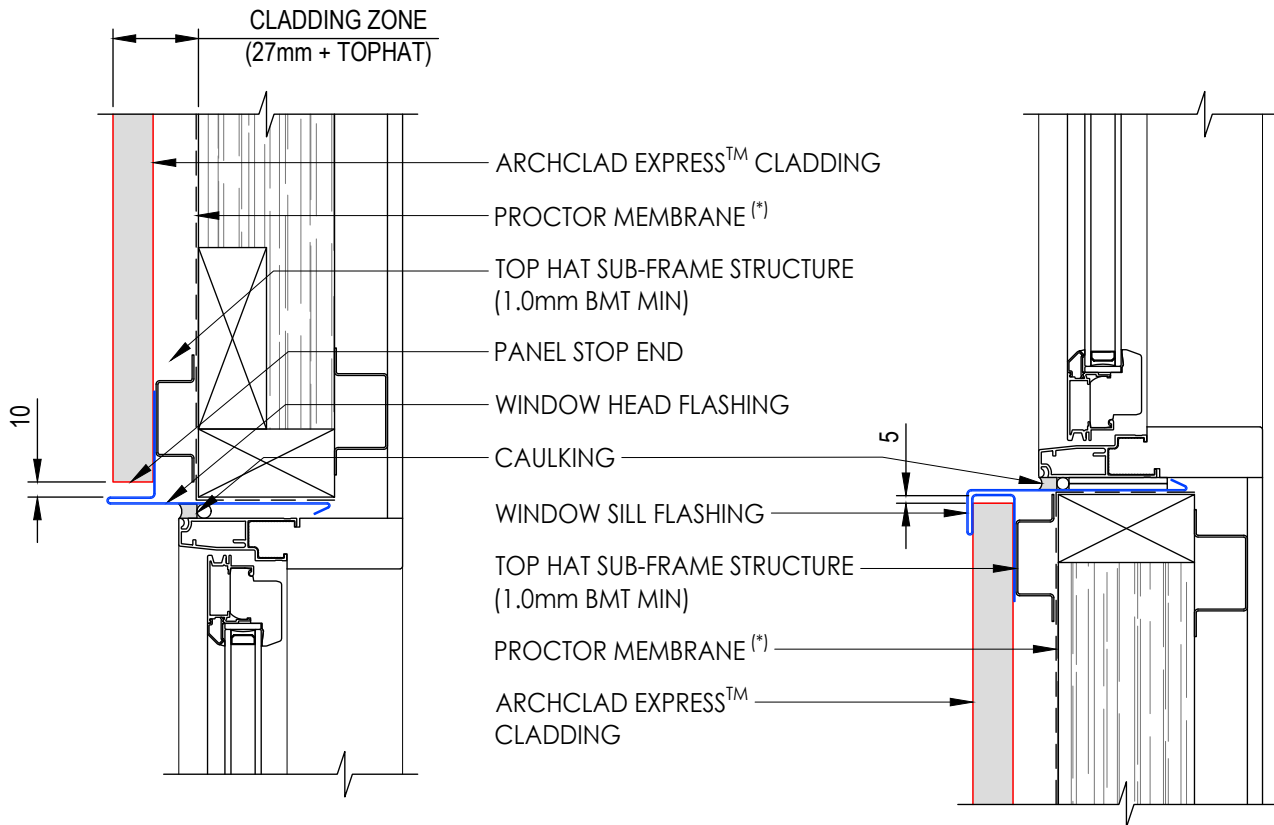
1-3 Commercial Rd, Notting Hill VIC 3168
1300 CLADDING ABN: 13141735686
Ph: 03 95610896 Fax: 03 9560 6903
Email: info@archclad.com.au
Web: www.archclad.com.au

ARCHCLAD EXPRESS™

Scale: 1:5
Rev: A

Title: WINDOW HEAD & SILL FLASHING

Dwg No: AE-DT-W2



DETAIL - W2 (WINDOW HEAD & SILL FLASHING)

(*) PROCTOR MEMBRANE CAN BE INSTALLED BEHIND OR IN FRONT OF TOPHAT SUB-STRUCTURE





1-3 Commercial Rd, Notting Hill VIC 3168
1300 CLADDING ABN: 13141735686
Ph: 03 95610896 Fax: 03 9560 6903
Email: info@archclad.com.au
Web: www.archclad.com.au

ARCHCLAD EXPRESS™

Scale:

1:5

Rev:

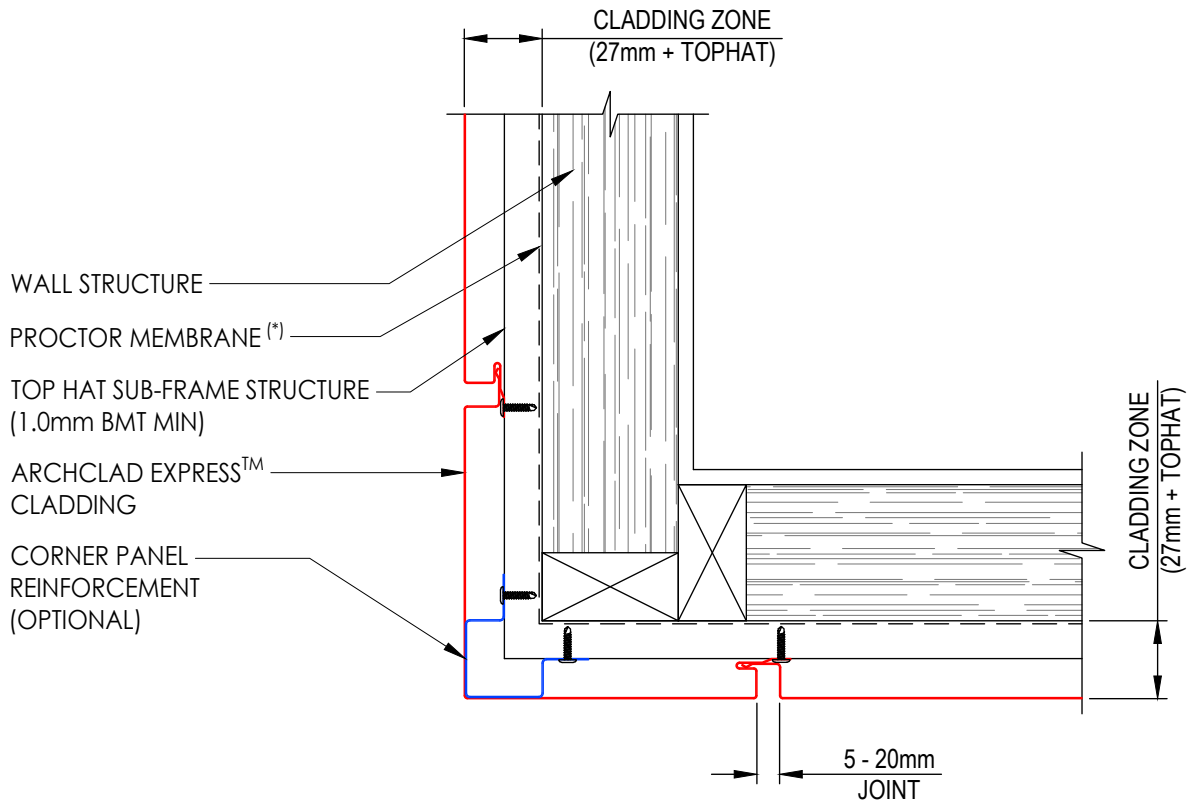
A

Title:

WALL - FOLDED CORNER PANEL

Dwg No:

AE-DT-W3



DETAIL - W3
(WALL - FOLDED CORNER PANEL - PLAN)

(*) PROCTOR MEMBRANE CAN BE INSTALLED BEHIND OR IN FRONT OF TOPHAT SUB-STRUCTURE





1-3 Commercial Rd, Notting Hill VIC 3168
1300 CLADDING ABN: 13141735686
Ph: 03 95610896 Fax: 03 9560 6903
Email: info@archclad.com.au
Web: www.archclad.com.au

ARCHCLAD EXPRESS™

Scale:

1:5

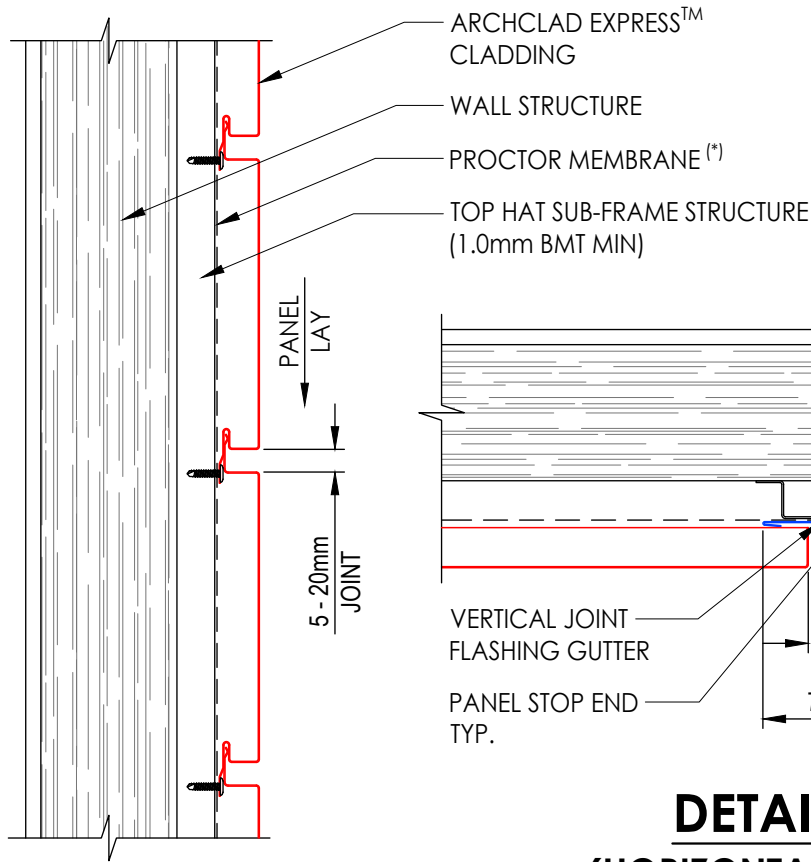
Rev:

A

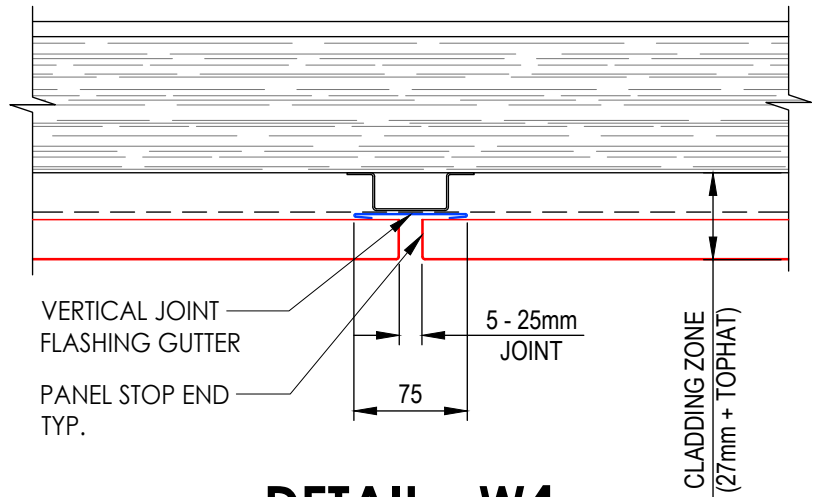
Title: **HORIZONTAL WALL PANEL
VERTICAL JOINT FLASHING**

Dwg No:

AE-DT-W4



(*) PROCTOR MEMBRANE CAN BE INSTALLED BEHIND OR IN FRONT OF TOPHAT SUB-STRUCTURE



SECTION A-A

**DETAIL - W4
(HORIZONTAL WALL PANEL
VERTICAL JOINT FLASHING - PLAN)**





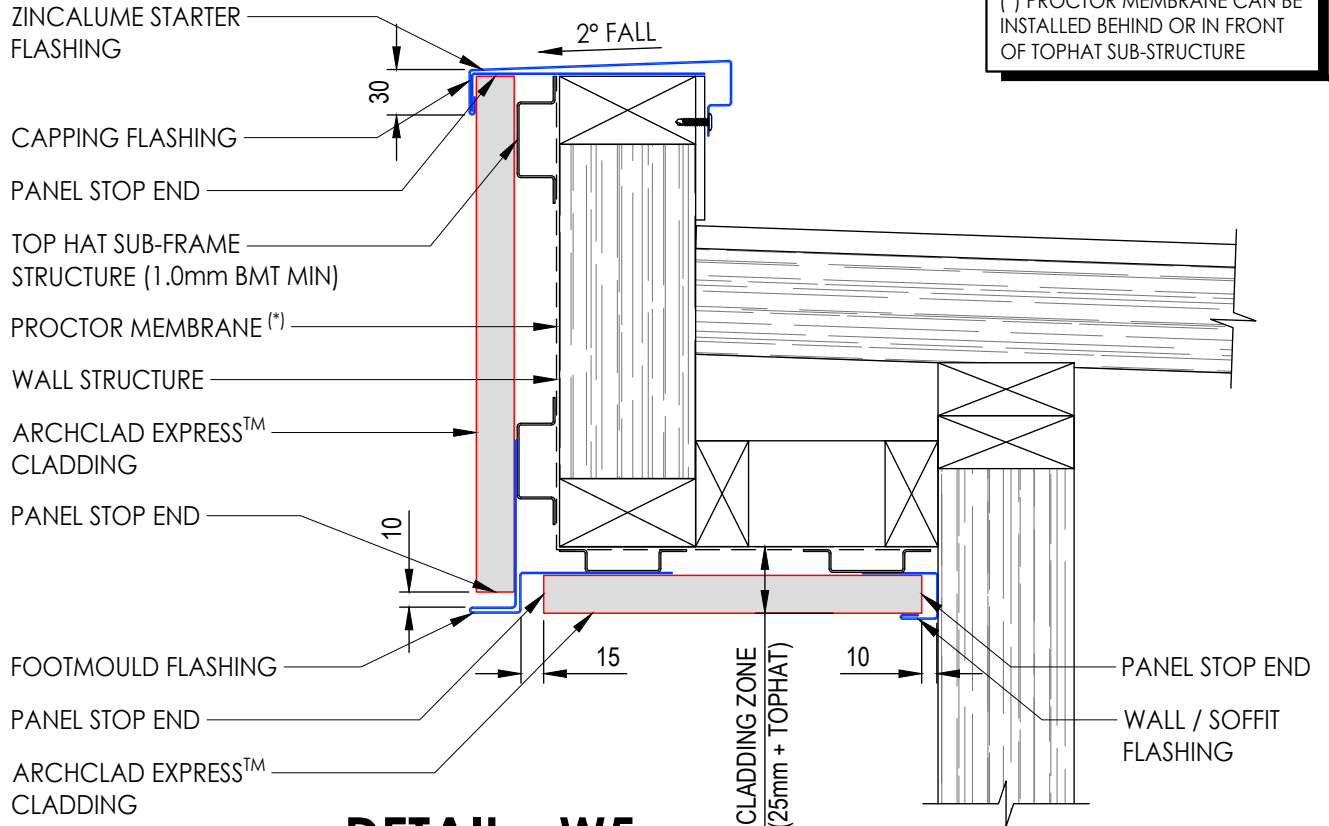
1-3 Commercial Rd, Notting Hill VIC 3168
 1300 CLADDING ABN: 13141735686
 Ph: 03 95610896 Fax: 03 9560 6903
 Email: info@archclad.com.au
 Web: www.archclad.com.au

ARCHCLAD EXPRESS™

Scale: 1:5
 Rev: A

Title: **FASCIA/SOFFIT PANEL FLASHING**

Dwg No: **AE-DT-W5**



DETAIL - W5
(FASCIA / SOFFIT PANEL FLASHING)





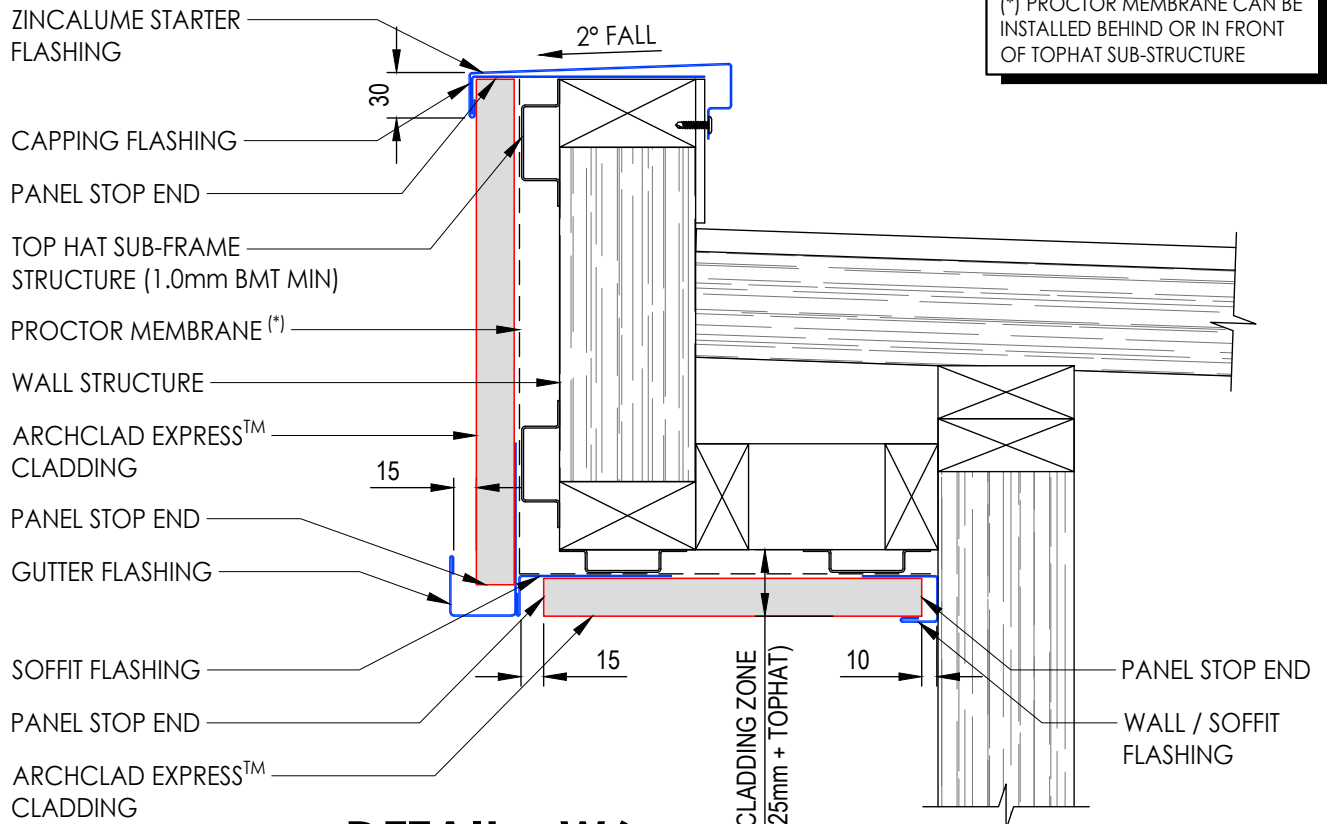
1-3 Commercial Rd, Notting Hill VIC 3168
1300 CLADDING ABN: 13141735686
Ph: 03 95610896 Fax: 03 9560 6903
Email: info@archclad.com.au
Web: www.archclad.com.au

ARCHCLAD EXPRESS™

Scale: 1:5
Rev: A

WALL BASE TRIM - GUTTER FLASHING

Dwg No: AE-DT-W6



(*) PROCTOR MEMBRANE CAN BE INSTALLED BEHIND OR IN FRONT OF TOPHAT SUB-STRUCTURE

DETAIL - W6 (WALL BASE TRIM - GUTTER FLASHING)





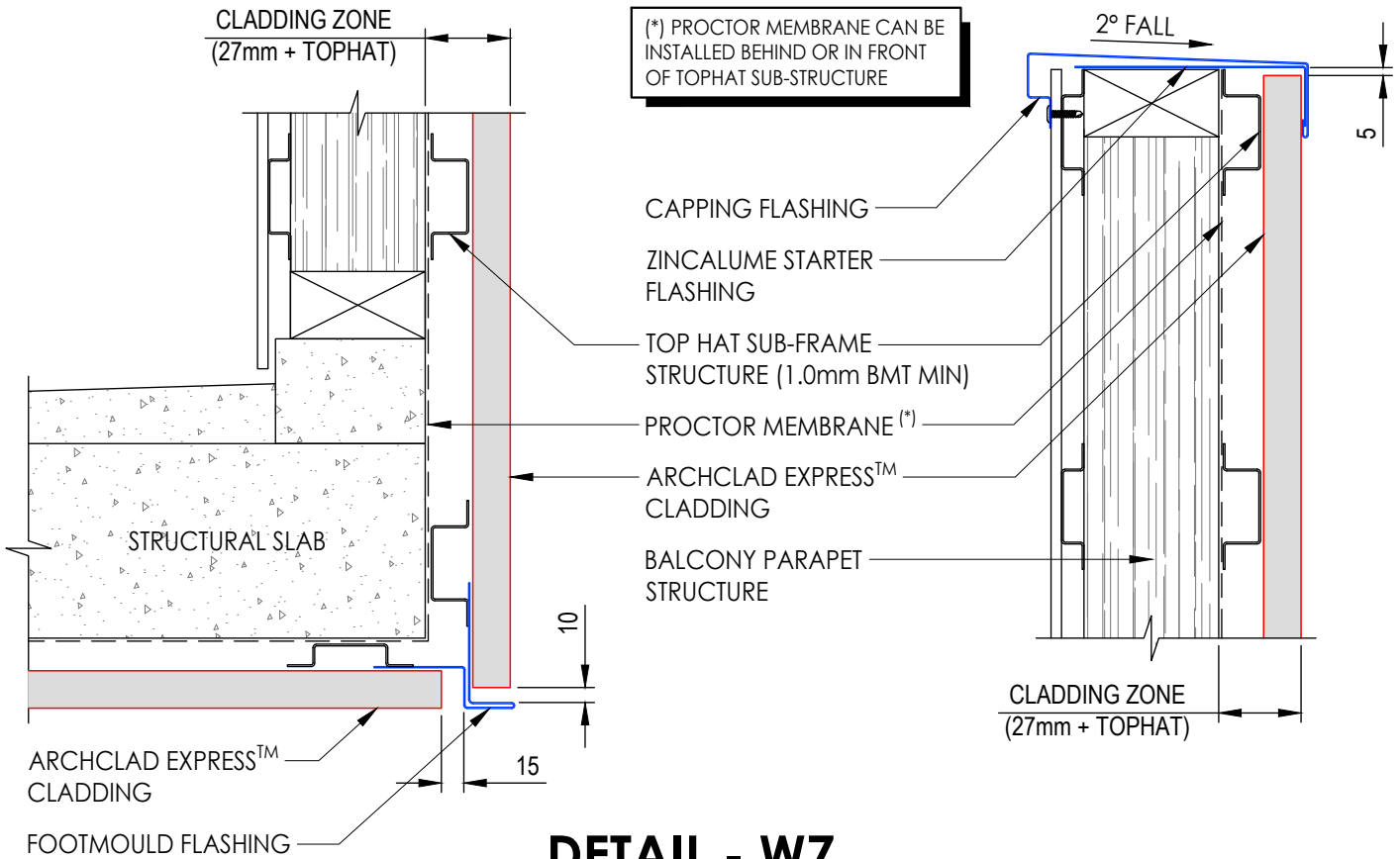
1-3 Commercial Rd, Notting Hill VIC 3168
1300 CLADDING ABN: 13141735686
Ph: 03 95610896 Fax: 03 9560 6903
Email: info@archclad.com.au
Web: www.archclad.com.au

ARCHCLAD EXPRESS™

Scale: 1:5
Rev: A

Title: BALCONY PARAPET / SOFFIT CLADDING FLASHING

Dwg No: AE-DT-W7



DETAIL - W7

(BALCONY PARAPET / SOFFIT CLADDING FLASHING)

