



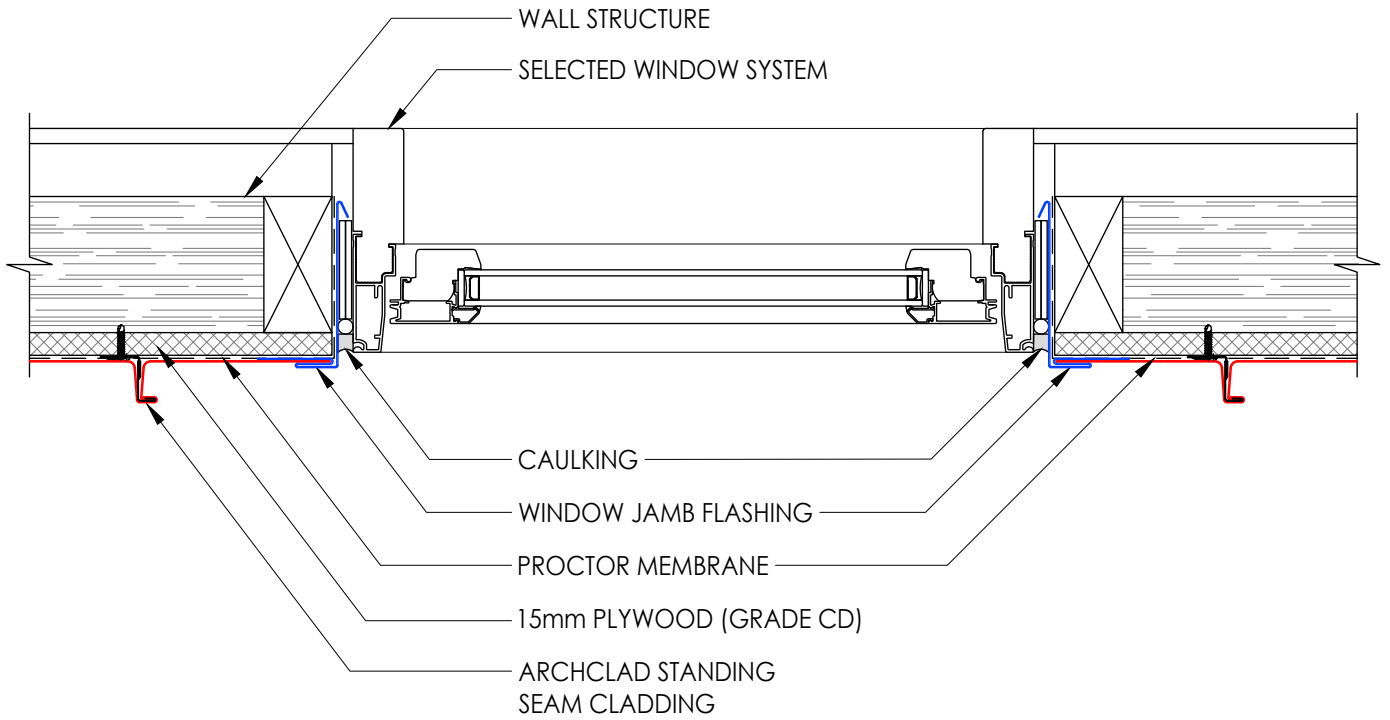
1-3 Commercial Rd, Notting Hill VIC 3168
1300 CLADDING ABN: 13141735686
Ph: 03 95610896 Fax: 03 9560 6903
Email: info@archclad.com.au
Web: www.archclad.com.au

ARCHCLAD STANDING SEAM

Scale: 1:5
Rev: A

WINDOW JAMB FLASHINGS

Dwg No: SS-DT-W1



DETAIL - W1 **(WINDOW JAMB FLASHING)**





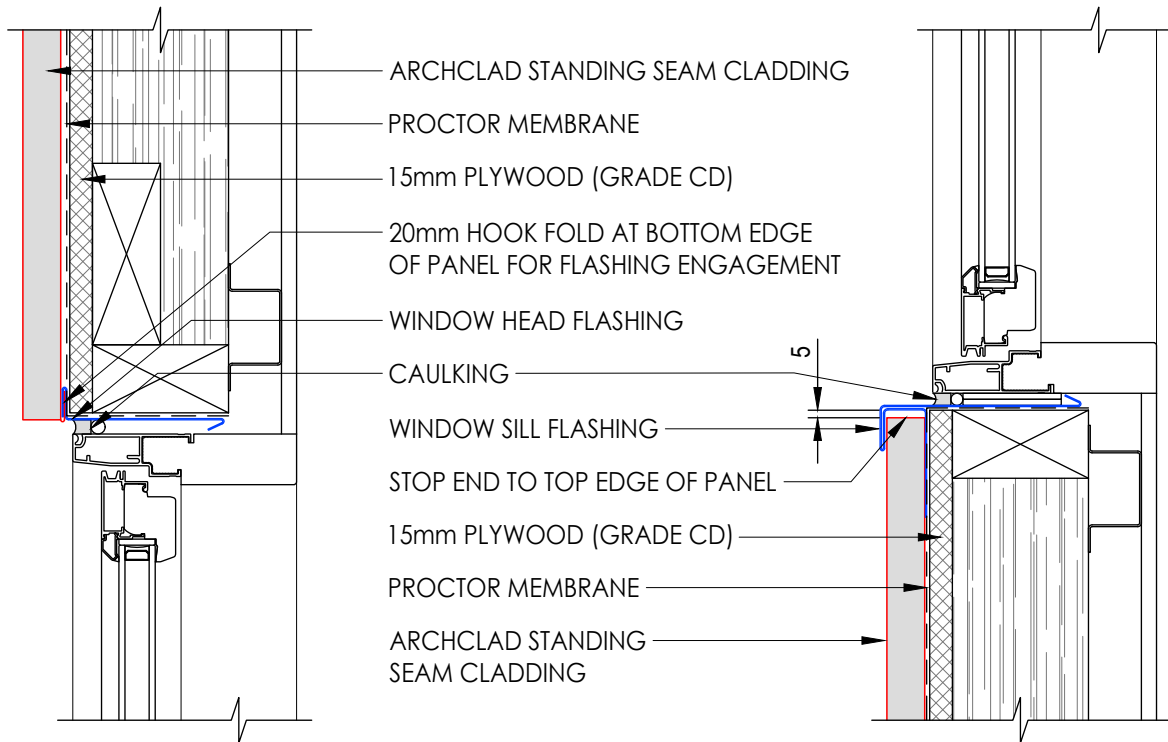
1-3 Commercial Rd, Notting Hill VIC 3168
 1300 CLADDING ABN: 13141735686
 Ph: 03 95610896 Fax: 03 9560 6903
 Email: info@archclad.com.au
 Web: www.archclad.com.au

ARCHCLAD STANDING SEAM

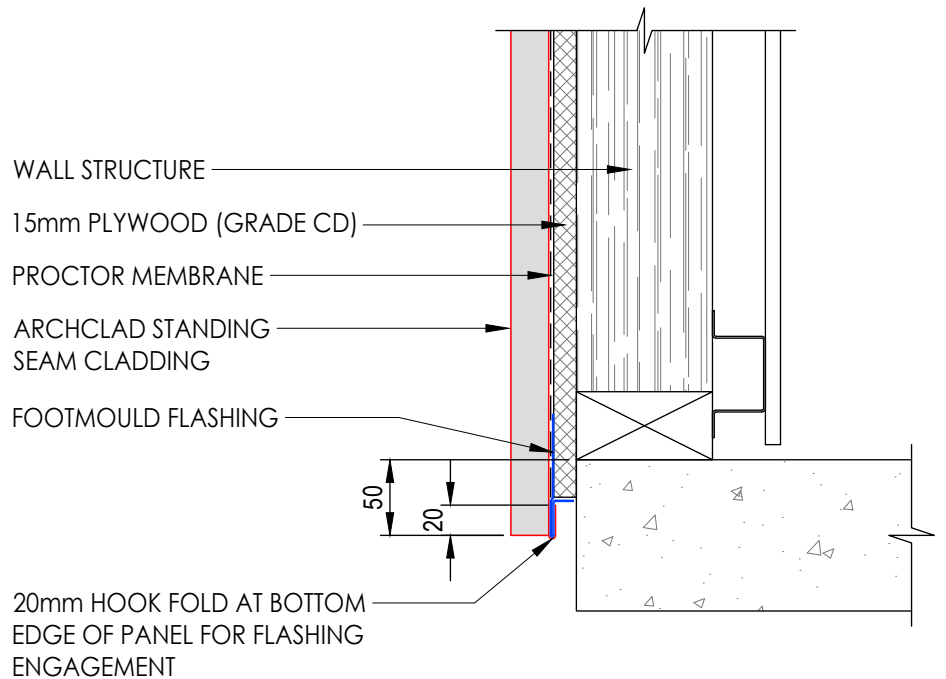
Scale: - Rev: A

Title: **WINDOW HEAD, SILL & FOOTMOULD FLASHINGS**

Dwg No: **SS-DT-W2**



**DETAIL - W2-1
 (WINDOW HEAD & SILL FLASHING)**



**DETAIL - W2-2
 (FOOTMOULD FLASHING)**



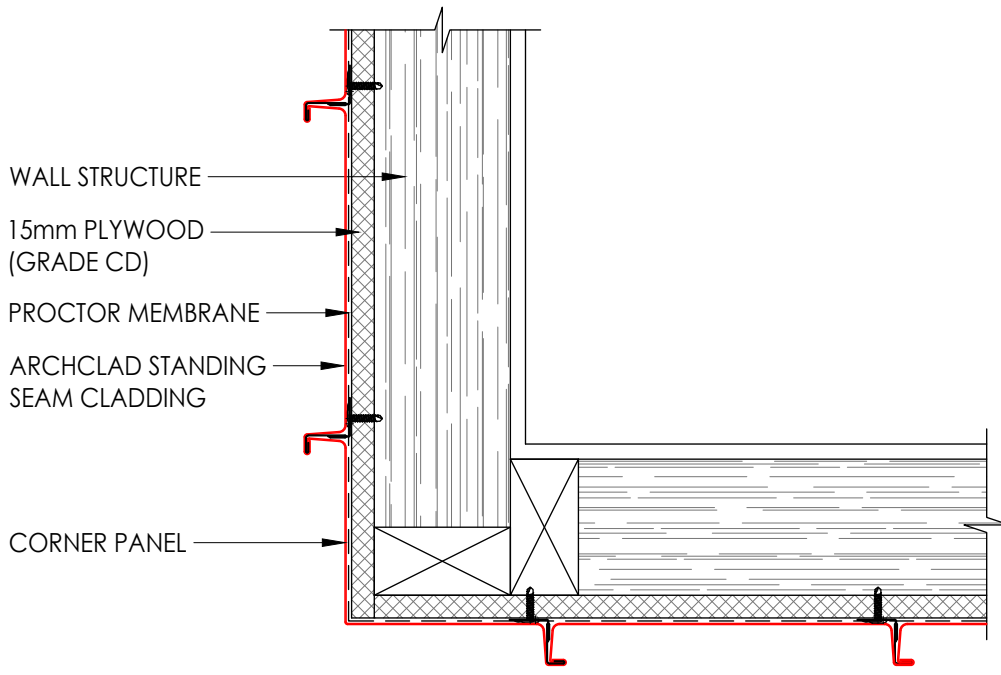
1-3 Commercial Rd, Notting Hill VIC 3168
1300 CLADDING ABN: 13141735686
Ph: 03 95610896 Fax: 03 9560 6903
Email: info@archclad.com.au
Web: www.archclad.com.au

ARCHCLAD STANDING SEAM

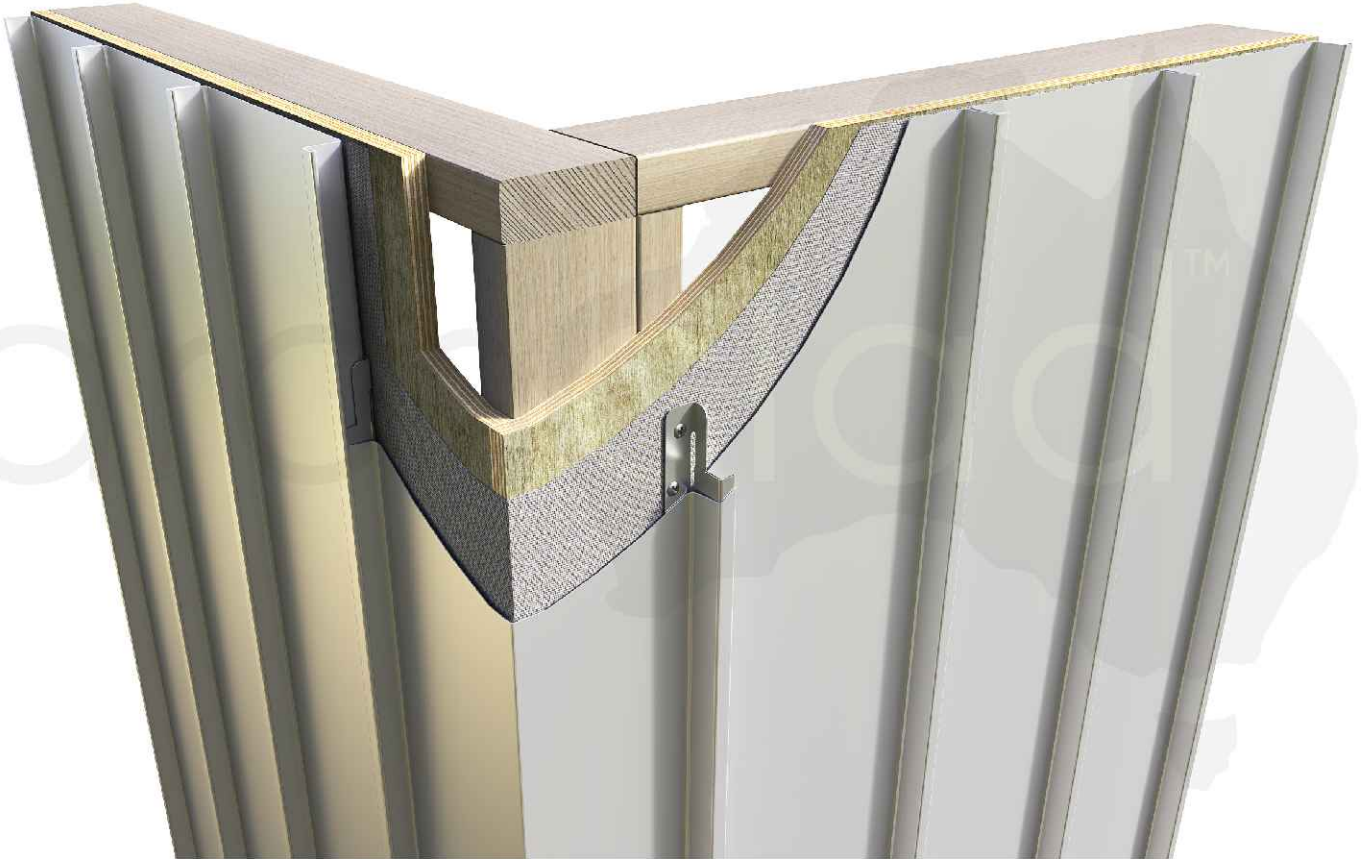
Scale: 1:5
Rev: A

Title: WALL - CORNER PANEL

Dwg No: SS-DT-W3



DETAIL - W3
(WALL - CORNER PANEL)





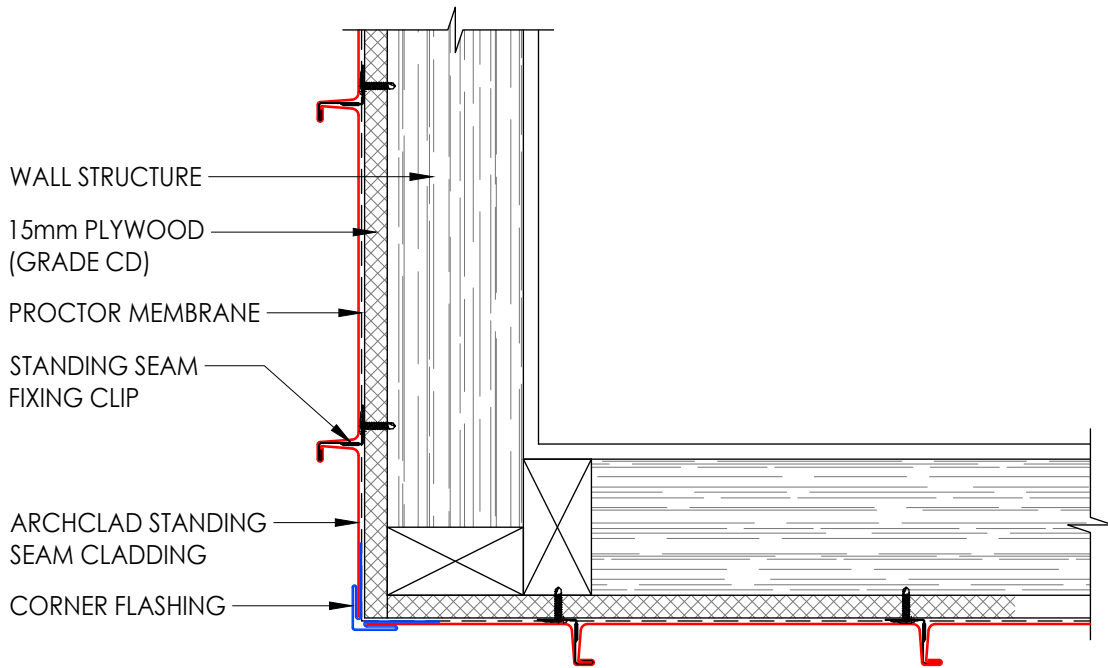
1-3 Commercial Rd, Notting Hill VIC 3168
1300 CLADDING ABN: 13141735686
Ph: 03 95610896 Fax: 03 9560 6903
Email: info@archclad.com.au
Web: www.archclad.com.au

ARCHCLAD STANDING SEAM

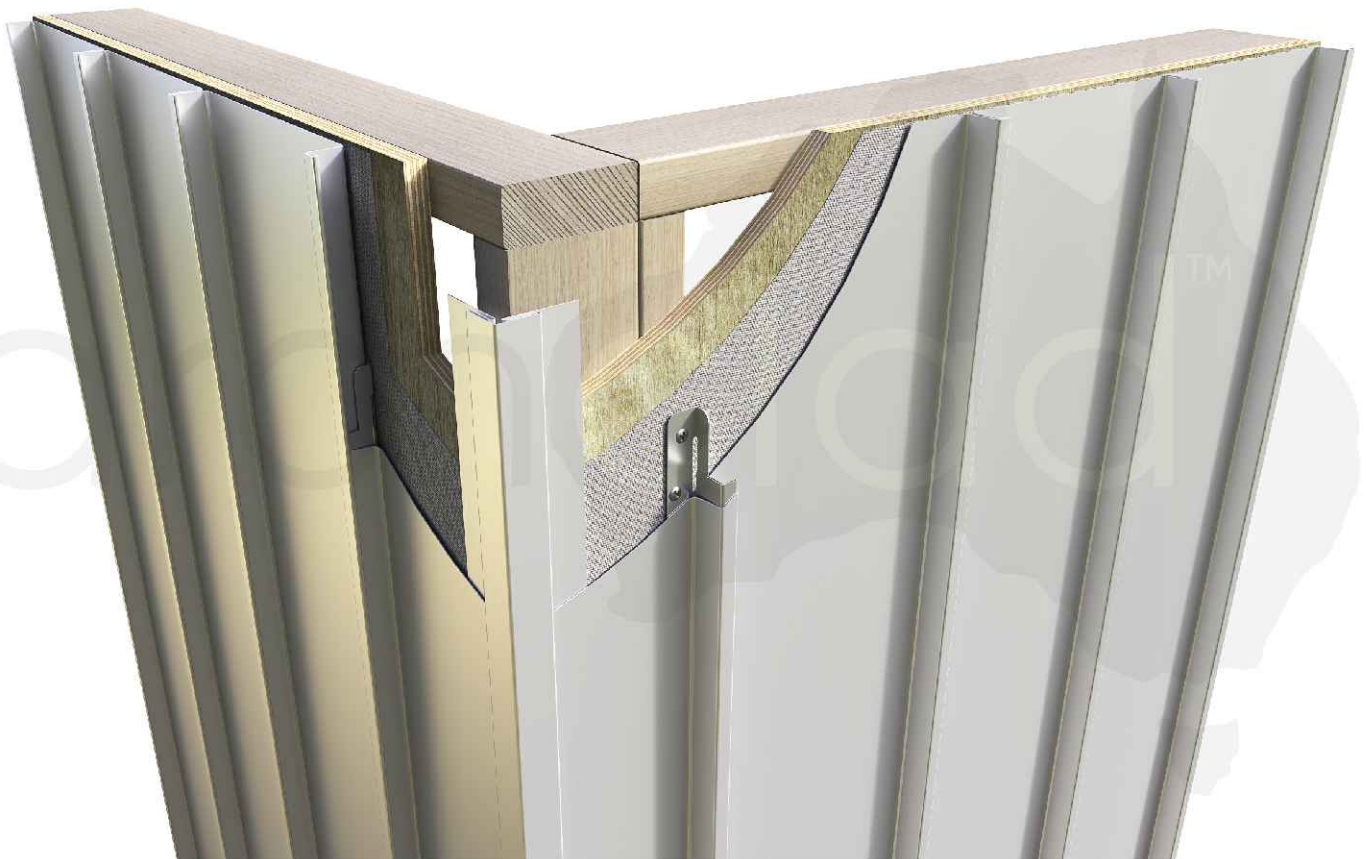
Scale: 1:5
Rev: A

WALL - CORNER FLASHING

Dwg No: SS-DT-W4



DETAIL - W4
(WALL - CORNER FLASHING)





1-3 Commercial Rd, Notting Hill VIC 3168
1300 CLADDING ABN: 13141735686
Ph: 03 95610896 Fax: 03 9560 6903
Email: info@archclad.com.au
Web: www.archclad.com.au

ARCHCLAD STANDING SEAM

Scale:

-

Rev:

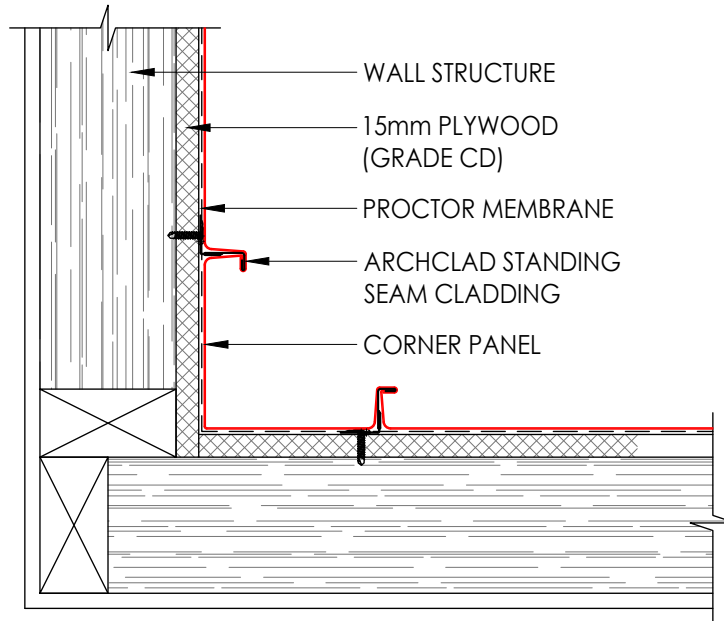
A

Title:

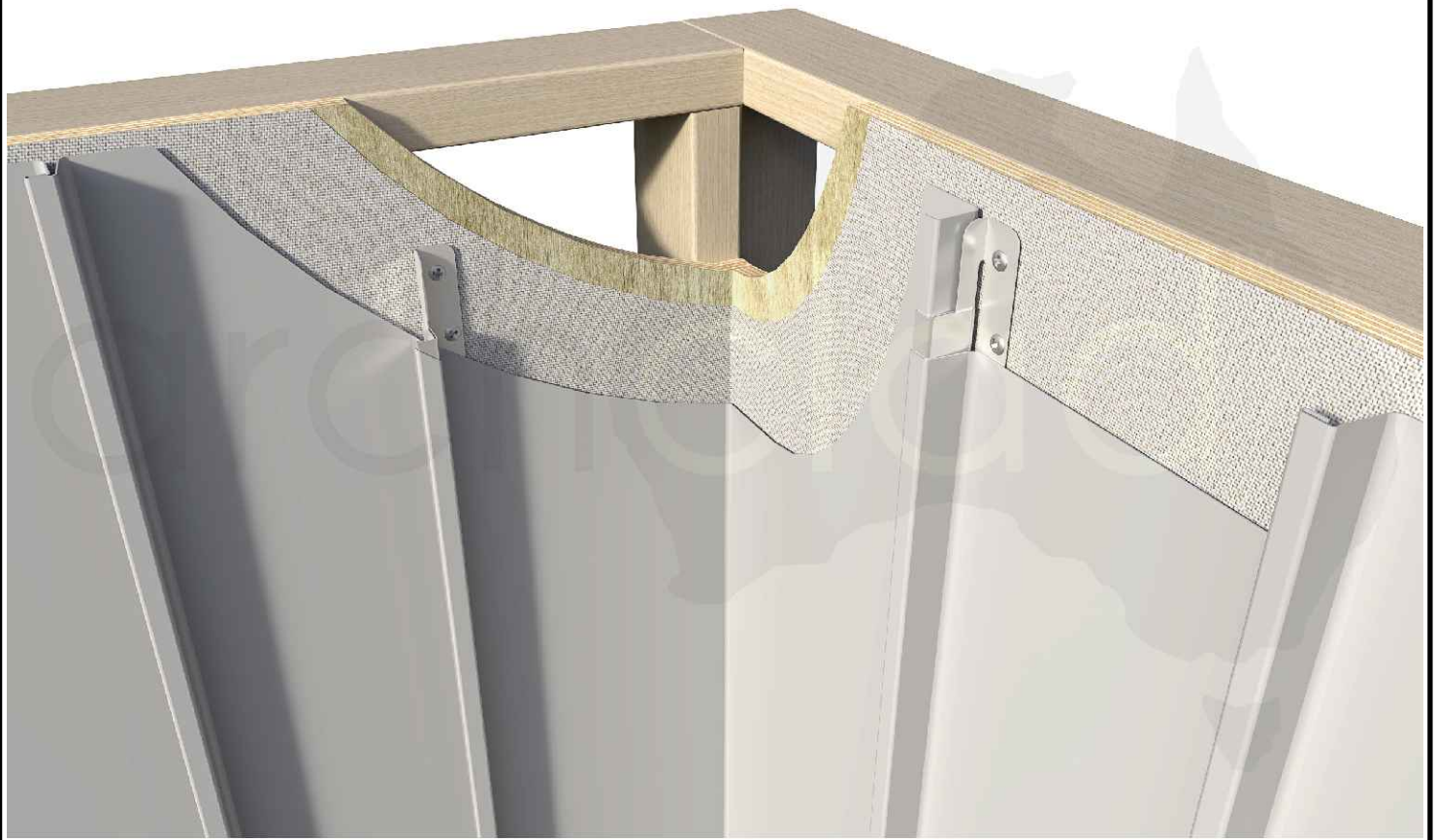
WALL - CORNER PANEL

Dwg No:

SS-DT-W5



DETAIL - W5 **(WALL - FOLDED CORNER PANEL)**





1-3 Commercial Rd, Notting Hill VIC 3168
1300 CLADDING ABN: 13141735686
Ph: 03 95610896 Fax: 03 9560 6903
Email: info@archclad.com.au
Web: www.archclad.com.au

ARCHCLAD STANDING SEAM

Scale:

1:5

Rev:

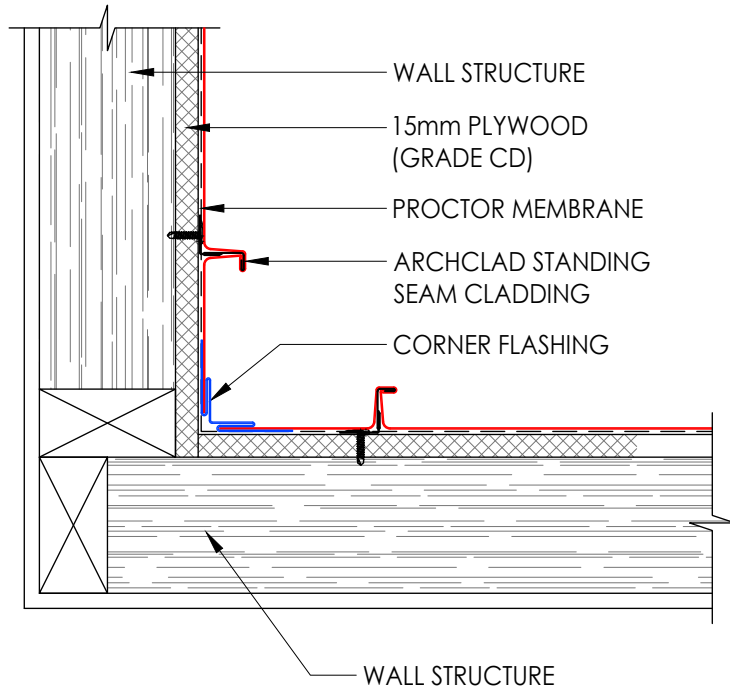
A

Title:

WALL - CORNER FLASHING

Dwg No:

SS-DT-W6



DETAIL - W6
(WALL - CORNER FLASHING)





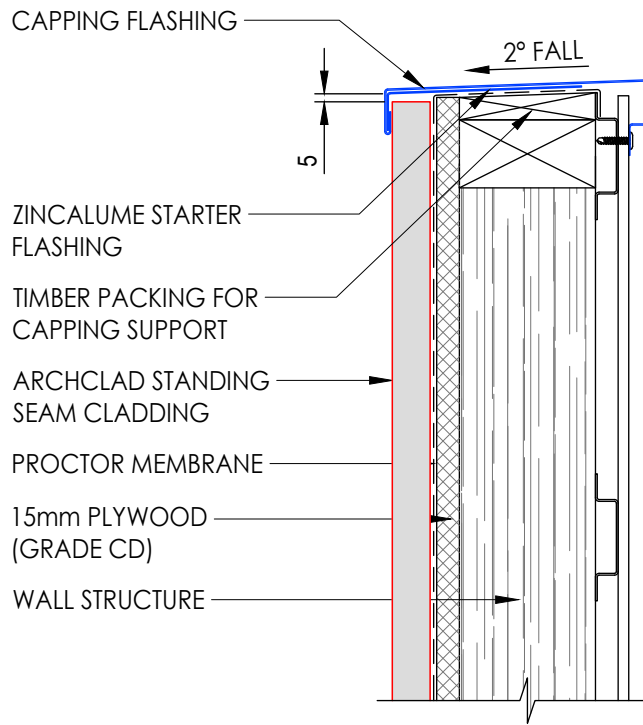
1-3 Commercial Rd, Notting Hill VIC 3168
1300 CLADDING ABN: 13141735686
Ph: 03 95610896 Fax: 03 9560 6903
Email: info@archclad.com.au
Web: www.archclad.com.au

ARCHCLAD STANDING SEAM

Scale: 1:5
Rev: A

Title: WALL - CAPPING

Dwg No: SS-DT-W7



DETAIL - W7
(WALL - CAPPING)





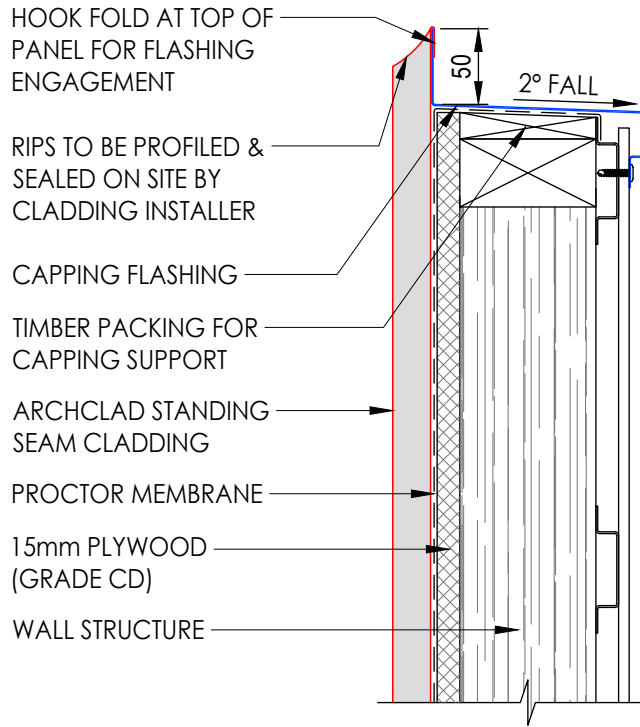
1-3 Commercial Rd, Notting Hill VIC 3168
1300 CLADDING ABN: 13141735686
Ph: 03 95610896 Fax: 03 9560 6903
Email: info@archclad.com.au
Web: www.archclad.com.au

ARCHCLAD STANDING SEAM

Scale: 1:5
Rev: A

Title: WALL - CAPPING

Dwg No: SS-DT-W8



DETAIL - W8
(WALL - CAPPING)





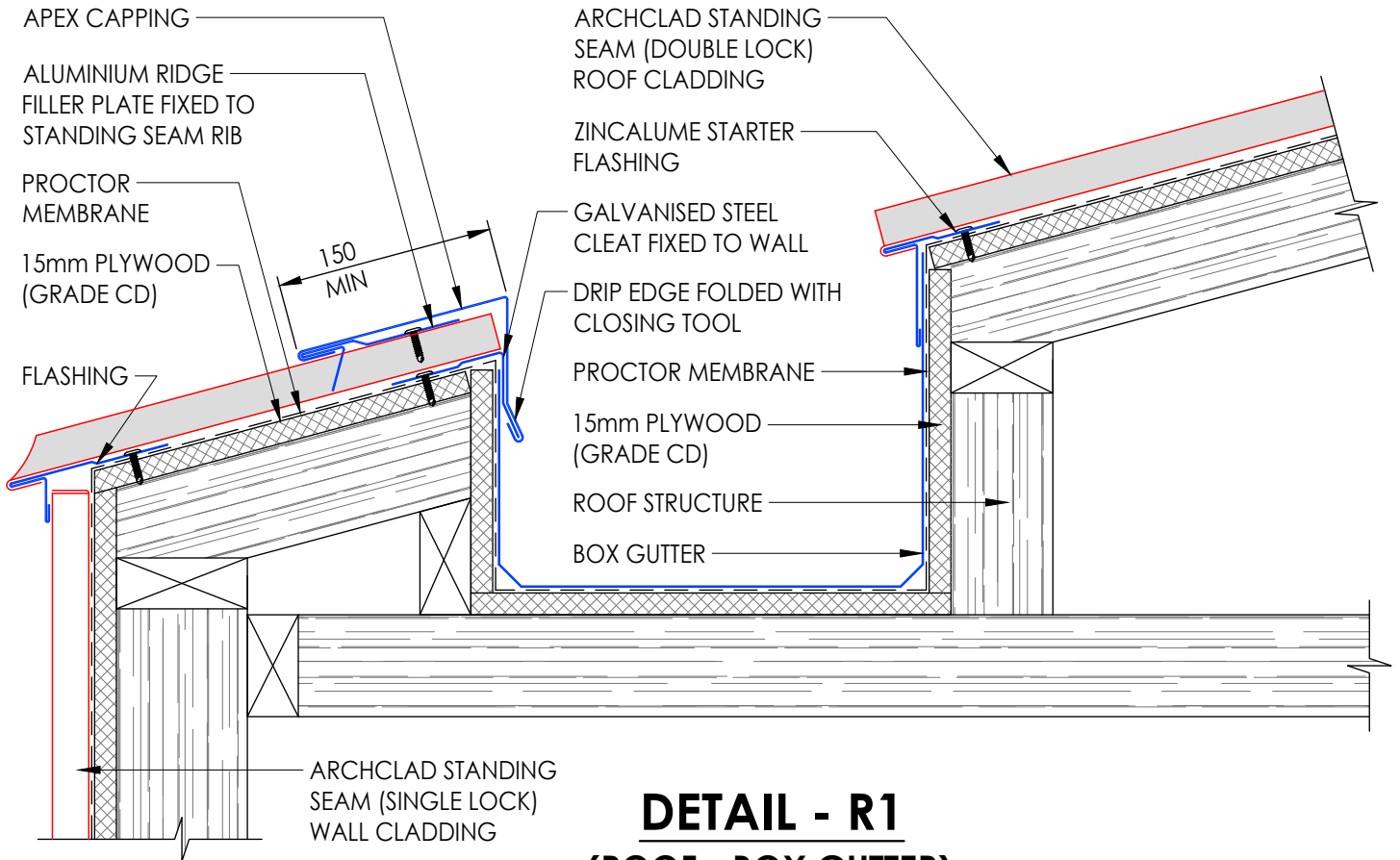
1-3 Commercial Rd, Notting Hill VIC 3168
1300 CLADDING ABN: 13141735686
Ph: 03 95610896 Fax: 03 9560 6903
Email: info@archclad.com.au
Web: www.archclad.com.au

ARCHCLAD STANDING SEAM

Scale: 1:5
Rev: A

Title: ROOF - BOX GUTTER

Dwg No: SS-DT-R1



DETAIL - R1
(ROOF - BOX GUTTER)





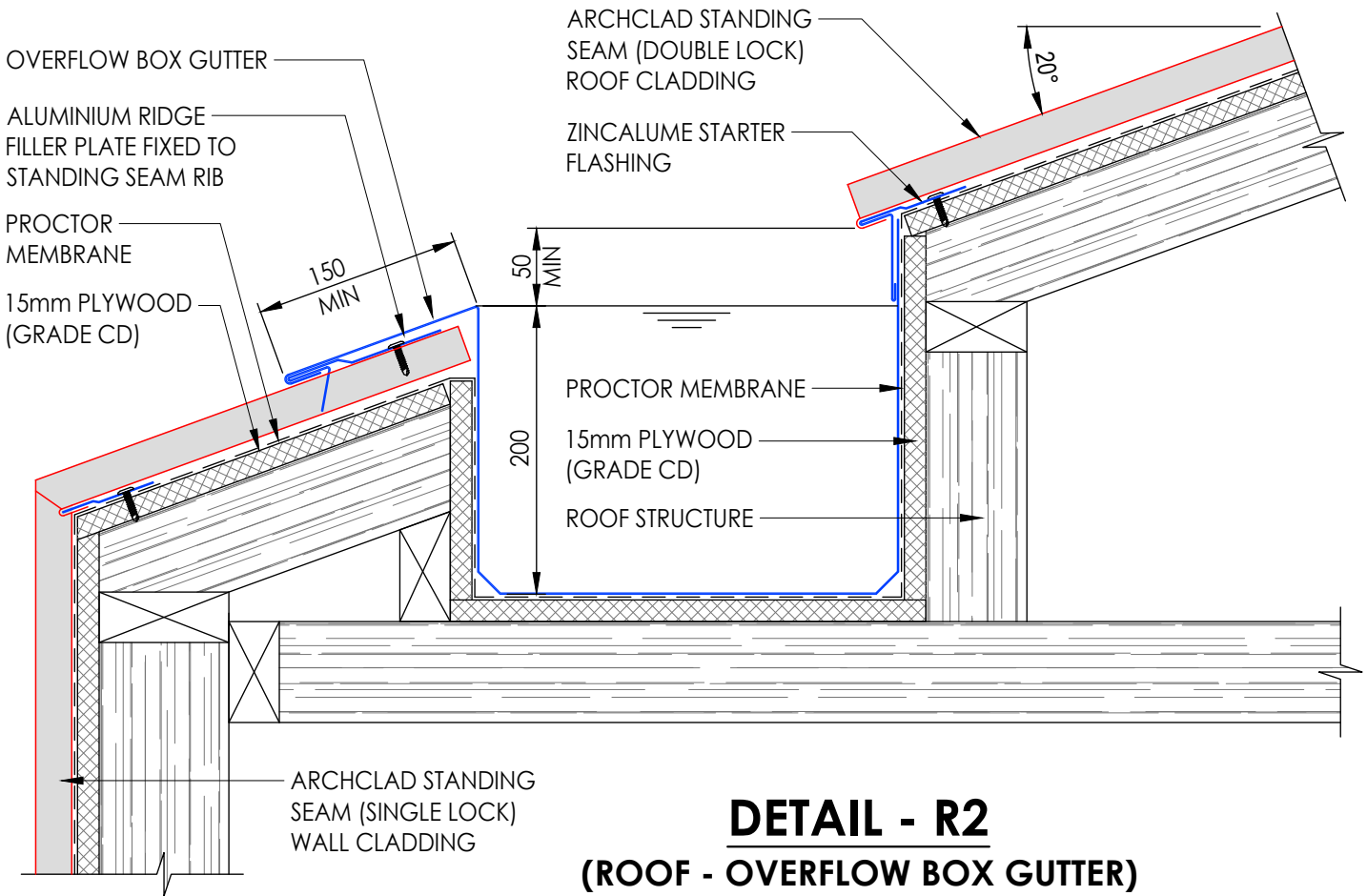
1-3 Commercial Rd, Notting Hill VIC 3168
1300 CLADDING ABN: 13141735686
Ph: 03 95610896 Fax: 03 9560 6903
Email: info@archclad.com.au
Web: www.archclad.com.au

ARCHCLAD STANDING SEAM

Scale: 1:5
Rev: A

Title: ROOF - BOX GUTTER

Dwg No: SS-DT-R2



DETAIL - R2
(ROOF - OVERFLOW BOX GUTTER)

