

DRUID Mk.IV/2013 RETROFIT



UPGRADE KIT OPTIONS & DETAILS

DRUID Mk.IV/2013 RETROFIT OVERVIEW

This kit includes everything you need to retrofit a pair of Druid Mk.I through Mk.IV/08 loudspeakers to the latest and greatest. Tools and a table to work on are not included. Kit replaces the full-range drivers, the tweeter driver, tweeter lens, high-pass tweeter filter network, internal cable assembly, backplate/binding post assembly, internal acoustic damping, and adds QuietCoat to the cabinet.

Take your old Zu Druid loudspeakers [original Mk.I through Mk.IV/08 (2001—2008)] from a neoclassic to modern hotness, and with minimal effort and no engineering or fitment issues on your end. All kits are purchased direct from Zu Audio Ogden, Utah—U.S.A. Kits are designed and priced to be done as a matched pair (left and right). Shipping not included.

We worked on the new Druid Mk.V for over four years and during that time we have learned a ton of new tricks—just look at Dominance and our new Definition Mk.IV loudspeakers. This kit is all about giving you as much of what's hot in the new Druid Mk.V as possible and in a user doable upgrade retrofit kit that keeps your hassle low, investment paying and satisfaction high.

Druid is our most important and iconic loudspeaker, representing our vision of fidelity, architectural style and art. And with well over a thousand happy Druid customers, and a desire to make them even happier we present ***The Druid Mk.IV/2013 Retrofit Upgrade Kit.***



The last four years have been particularly dynamic at Zu: technologically, productivity, financially, organizationally, with lots of rich stories. Through it we have fully realized the fundamental “why” we do what we do and Druid stands as a beacon; to all of us at Zu and the thousands of users and customers, our glorious and extraordinary Zu customers, thank you.

DRUID Mk.IV/2013 RETROFIT

UPGRADE DETAILS

OVERVIEW

There are two stages of upgrades available for the Druid Mk.IV and earlier platform. Factory service is available for \$300 for those that would prefer to have it done at Zu.

Stage-1

Full-range driver upgrade to the new high-output nanotech Zu103ND/G1-16 drivers. Refund for safe return of the original drivers is \$200.

Stage-2

Cabinet adds/ Radian tweeter / acoustics kit / cable / backplate / connections upgrade.

REFUNDS

Refund for the safe return of your good condition original full-range drivers.	(\$200)
Refund for the safe return of your good condition original tweeter assemblies.	(\$100)
50% refund on undamaged tools.	(50%)

D.I.Y. WARRANTY

Limited two year warranty on parts only. No warranty for your workmanship. Zu will cover shipping on warranty parts, but D.I.Y. service is expected.

FACTORY WARRANTY

Limited two year* warranty on parts and workmanship, cabinet areas that are not modified are not covered. Zu will cover shipping on warranty parts, but D.I.Y. service is expected.

*Limited five year warranty if extended warranty and factory service are purchased/performed. Covers all parts and labor including the whole of the cabinet. If warranty is needed complete loudspeaker shipping is not covered. Zu will cover shipping on parts and D.I.Y. service is expected.

DRUID Mk.IV/2013 RETROFIT KIT DETAILS & PRICES

STAGE-1 FULL-RANGE DRIVER

Note: the only identification for this upgrade is the machined model number in the full-range driver.
Difficulty: easy. Time: 30 minutes.

1x Matched pair high-output nanotech (Zu103ND/G1-16) drivers w/ 600 hours burn-in.

16x #9 Torx T-25 stainless FRD mounting screws.

Refunds: \$200 refund upon the safe return of the original drivers in good condition.

TOOLS REQUIRED FOR STAGE-1

- Clean workspace; a blanket over coffee table is perfect.
- #1 square drive, for removal of your old Druid drivers (not included).
- T-25 screwdriver, used to install the new T-25 FRD fastening screws (not included).



DRUID Mk.IV/2013 RETROFIT

KIT DETAILS & PRICES

STAGE-2 RADIAN TWEETER ASS'Y + ACOUSTICS KIT + CABLE/BACKPLATE ASS'Y

Note: identification for these upgrades are, tweeter, model marks on full-range driver, and Druid Mk.IV/2013 marked backplate.

Difficulty: moderate. Basic cutting of tweeter pass-through hole, glue work.

Time: 5 hours, 3 hours + a day for adhesive to cure + 2 hours assembly.

- 1x Matched pair Radian 850 tweeter drivers with 600 hours burn-in.
- 1x Set Zu Druid Mk.IV-13 Radian 850 machined lenses.
- 8x Custom machined stainless tweeter compression screws (5mm Allen).
- 1x Matched pair set of high-pass networks assembled and ready to plug in.
(ClarityCap MR 630V, Mills N/I, Zu Event, Panduit cons, all .005% matched.)
- 1x Zu/Radian850 tweeter lens cutout template.
- 2x Internal acoustic rework kits.
(1 quart QuietCoat, 12x acoustic foam precuts, 3x rubber gloves, 1x brush.)
- 1x Matched set Zu Event harness with ZuB3/binding post combo backplate assembly.
- 12x Fasteners
- 1x New backplate cutout template

Refunds: \$100 refund upon the safe return of the original tweeter assemblies.

REQUIRED TOOLS FOR STAGE-2

- Clean workspace; plastic sheet over a blanket over coffee table is perfect.
- 5mm Allen key or driver, for assembly of the new tweeter assembly (not included).
- #1 square drive screwdriver, for removal of old tweeter screws (not included).
- #2 phillips screwdriver
- Keyhole saw, or jigsaw if you are a jigsaw pro.
- Masking tape to prevent finish damage.

DRUID Mk.IV/2013 RETROFIT UPGRADE DETAILS

THE RIGHT TOOLS

1x Greenlee keyhole saw (301A) [for cabinet tweeter pass-through hole modification].	\$14
1x Wera T-25 screwdriver 1767 (05031305002) for new full-range driver fasteners.	\$6
1x Wera T-20 screwdriver 1767 (05031304002) for old full-range driver fasteners (possible).	\$6
1x Eklind 5mm 6" t-handle (64650) [for Radian based tweeter mounting].	\$7
1x Wera #1 square screwdriver 368 (05117682003) for old tweeter fasteners.	\$12
1x Wera #2 phillips screwdriver 350 (05008720003) for install of binding post backplate.	\$18
1x 3M automotive refinishing masking tape 3/4" x 60 yards.	\$5

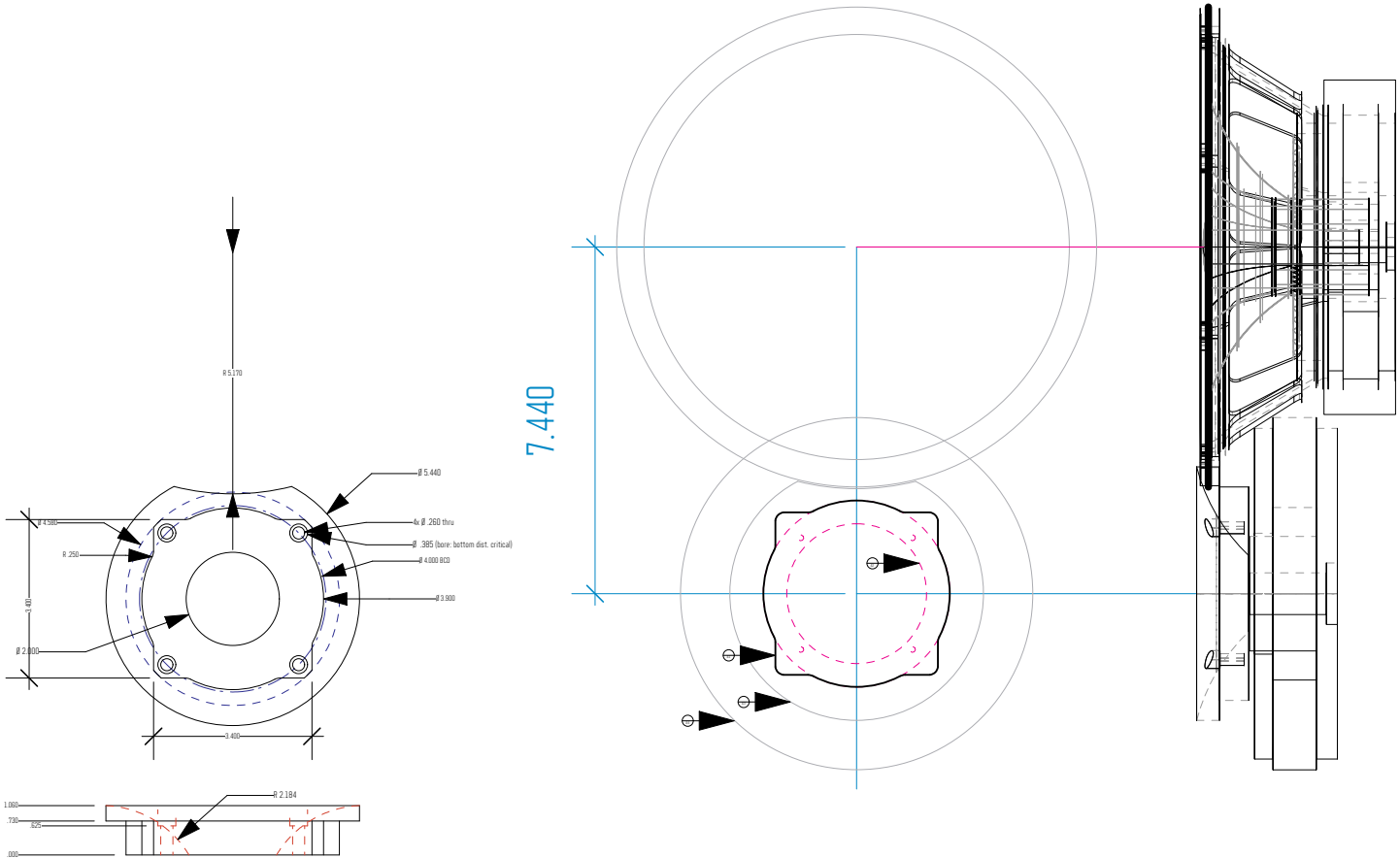
Prices are for reference and subject to change.





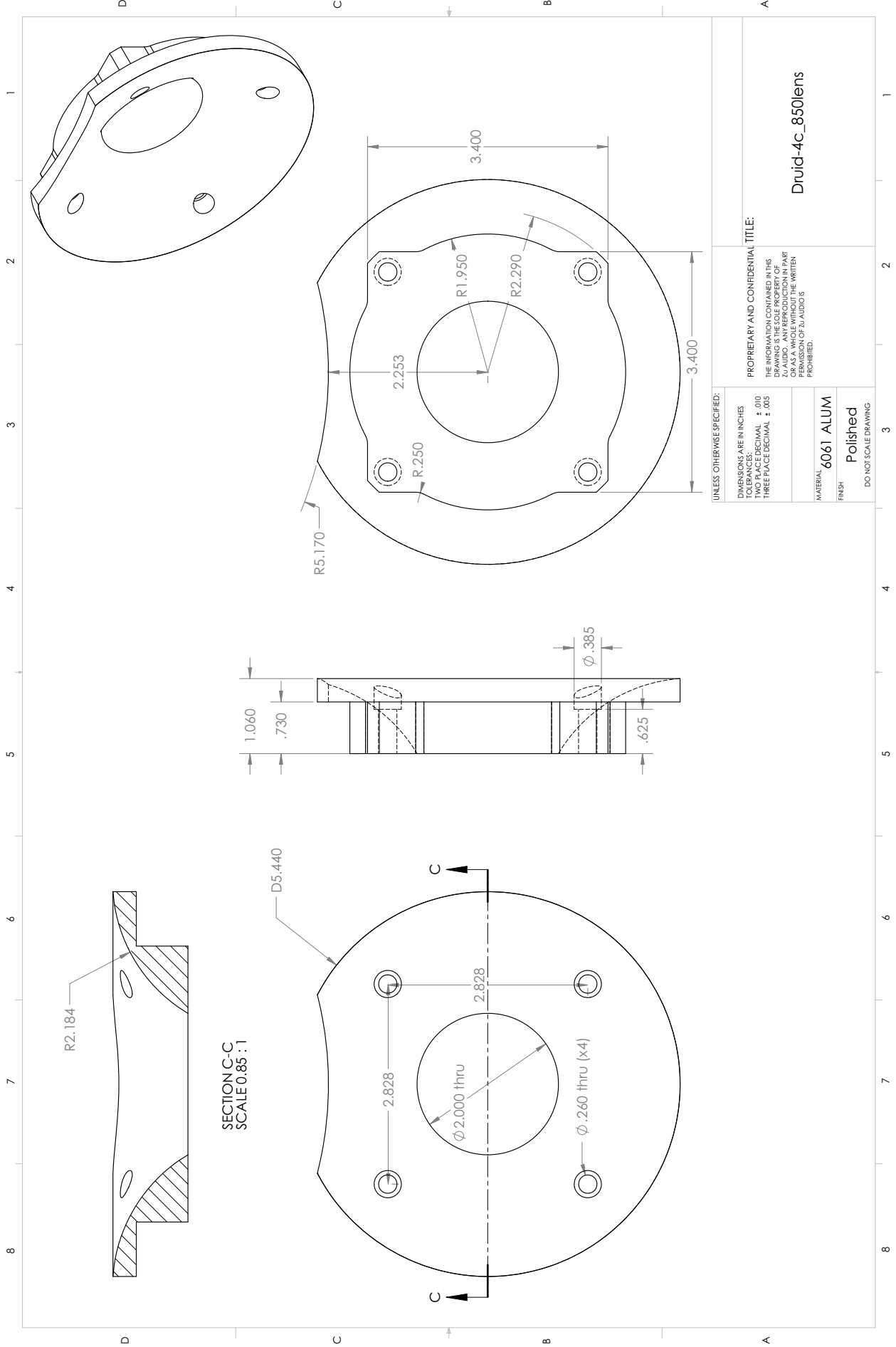
DRUID Mk.IV/2013 RETROFIT

850 TWEETER NOTES



- A1 CUT MARK, ALONG BLACK LINE. ESSENTIALLY YOU CUT OUT THE EXISTING TWEETER COUNTERSINK, THEN THE FOUR NOTCHES. TWEETER ASSEMBLY COMPRESSION MOUNTS, NO CABINET FASTENER HOLES ARE REQUIRED.
- A2 DASHED MAGENTA MARKES ARE THE OLD TWEETER THROUGH HOLE AND RELIEF.
- A3 TWEETER LENS PERIMETER (ASSEMBLY IS COMPRESSION MOUNTED TO THE CABINET).
- A4 RADIAN 850 TWEETER DRIVER PERIMETER.

	DIMENSIONS ARE IN INCHES TOLERANCES: 0.10	THE INFORMATION CONTAINED IN THIS DRAWING IS THE SOLE PROPERTY OF ZU AUDIO.	TITLE DRUID-4C_850LENS OVERVIEW			
	MATERIAL		SHEET 1 / 1	SCALE 1:4	DATE 08/27/12	REVISION A



PROPRIETARY AND CONFIDENTIAL TITLE:

THE INFORMATION CONTAINED IN THIS DRAWING IS THE SOLE PROPERTY OF ZU AUDIO. ANY REPRODUCTION IN PART OR AS A WHOLE WITHOUT THE WRITTEN PERMISSION OF ZU AUDIO IS PROHIBITED.

UNLESS OTHERWISE SPECIFIED:

DIMENSIONS ARE IN INCHES
 TOLERANCES:
 TWO PLACE DECIMAL $\pm .010$
 THREE PLACE DECIMAL $\pm .005$

MATERIAL
 6061 ALUM

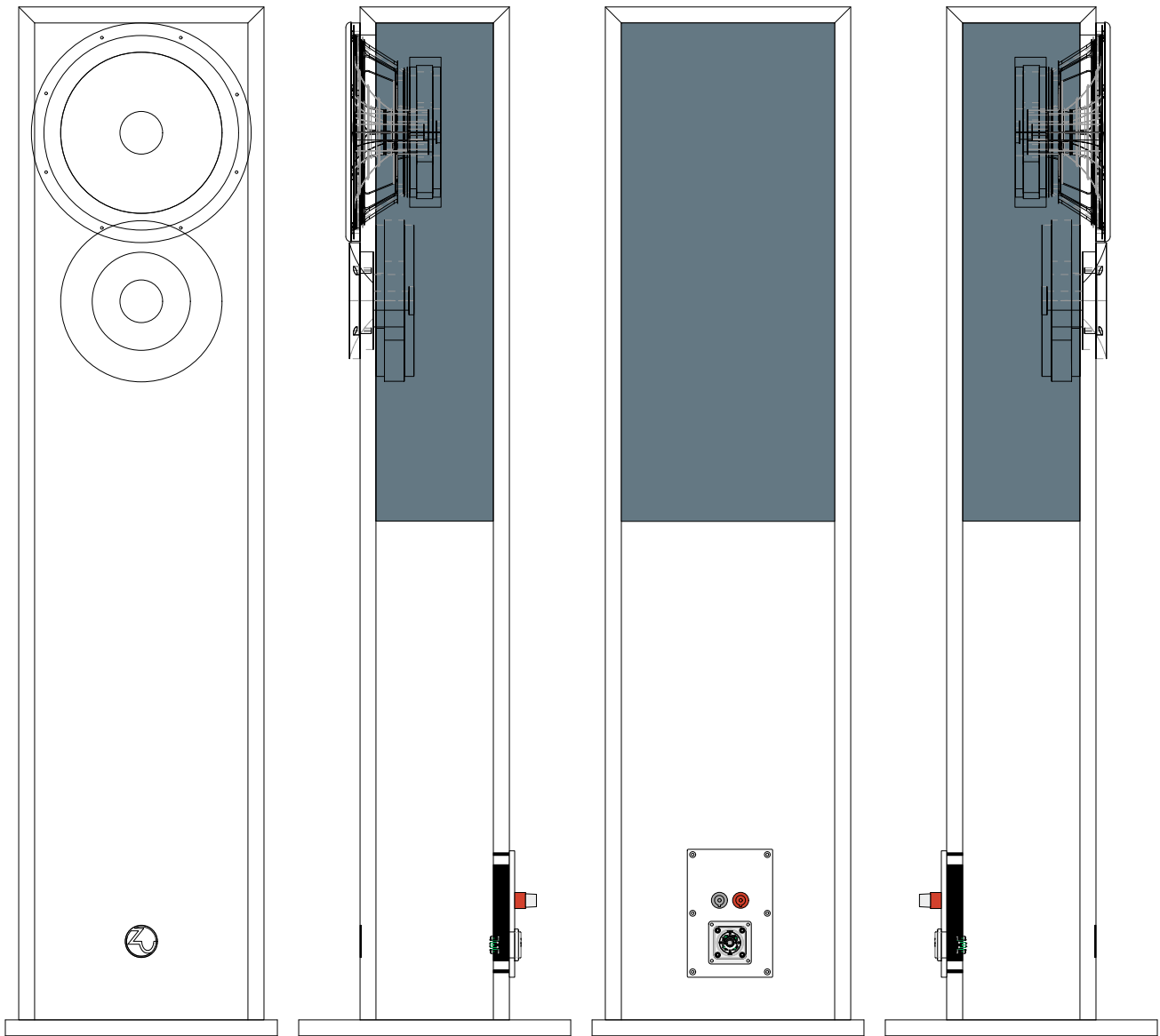
FINISH
 Polished

DO NOT SCALE DRAWING

Druid-4c_850lens

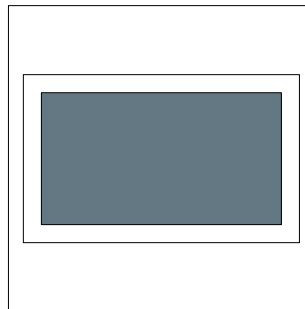


DRUID Mk.IV/2013 RETROFIT QUIETCOAT® COATING DETAIL



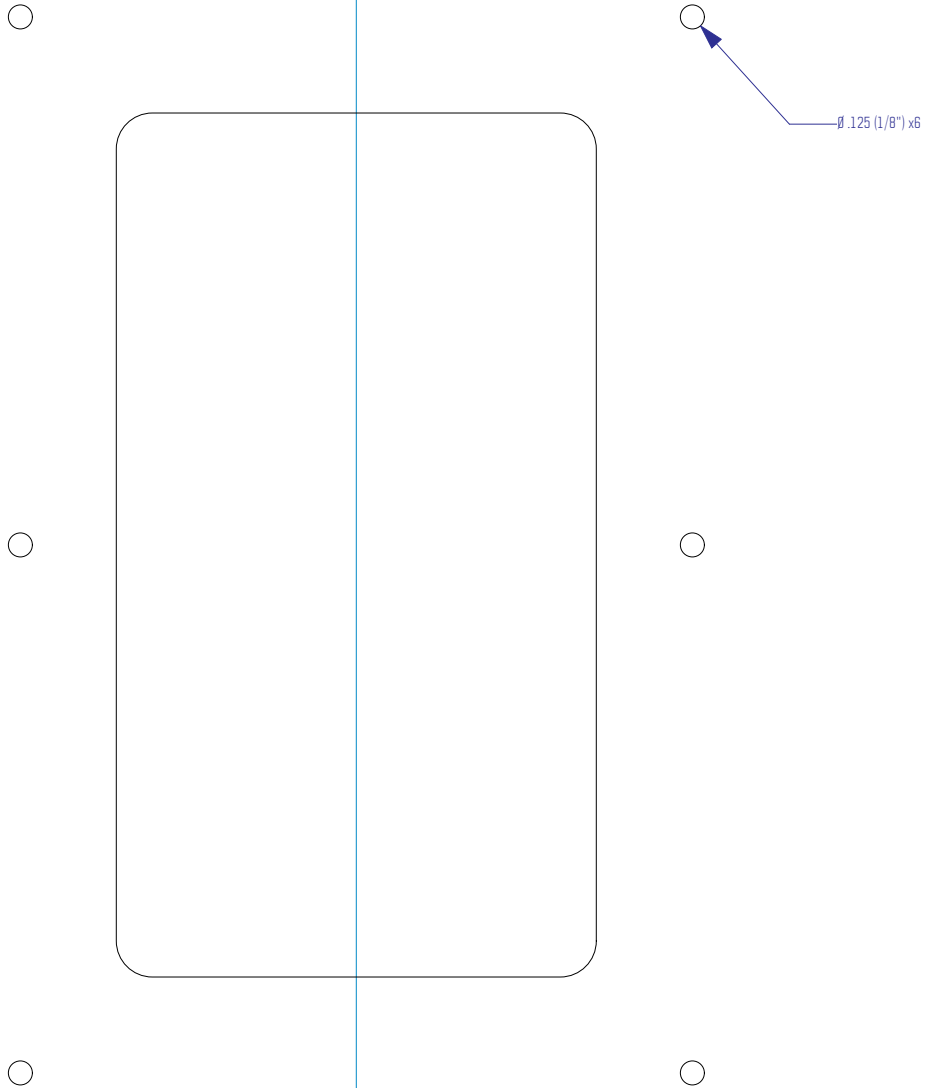
DO NOT COAT THE INSIDE OF THE FRONT Baffle

Coat the inside of the back, top and both side panels,
from the top to about half way down.





DRUID Mk.IV/2013 RETROFIT BACKPLATE CUTOUT TEMPLATE



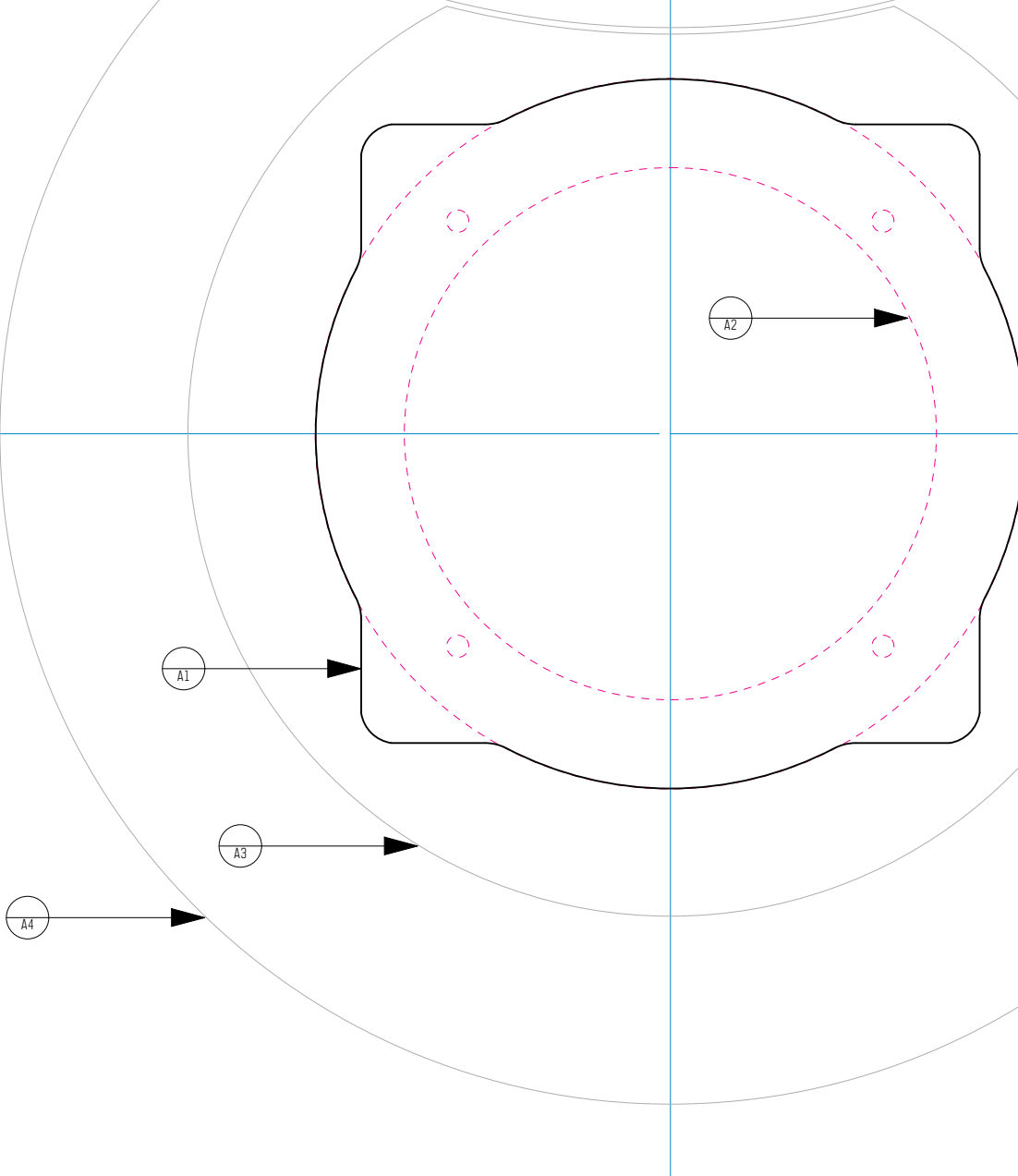
BASE OF DRUID CABINET

	DIMENSIONS ARE IN INCHES TOLERANCES: 0.10	THE INFORMATION CONTAINED IN THIS DRAWING IS THE SOLE PROPERTY OF ZU AUDIO.	TITLE DRUID-4C_Mk.V BACKPLATE TEMPLATE			
	MATERIAL		SHEET 1 / 1	SCALE 1:1	DATE 08/27/12	REVISION A



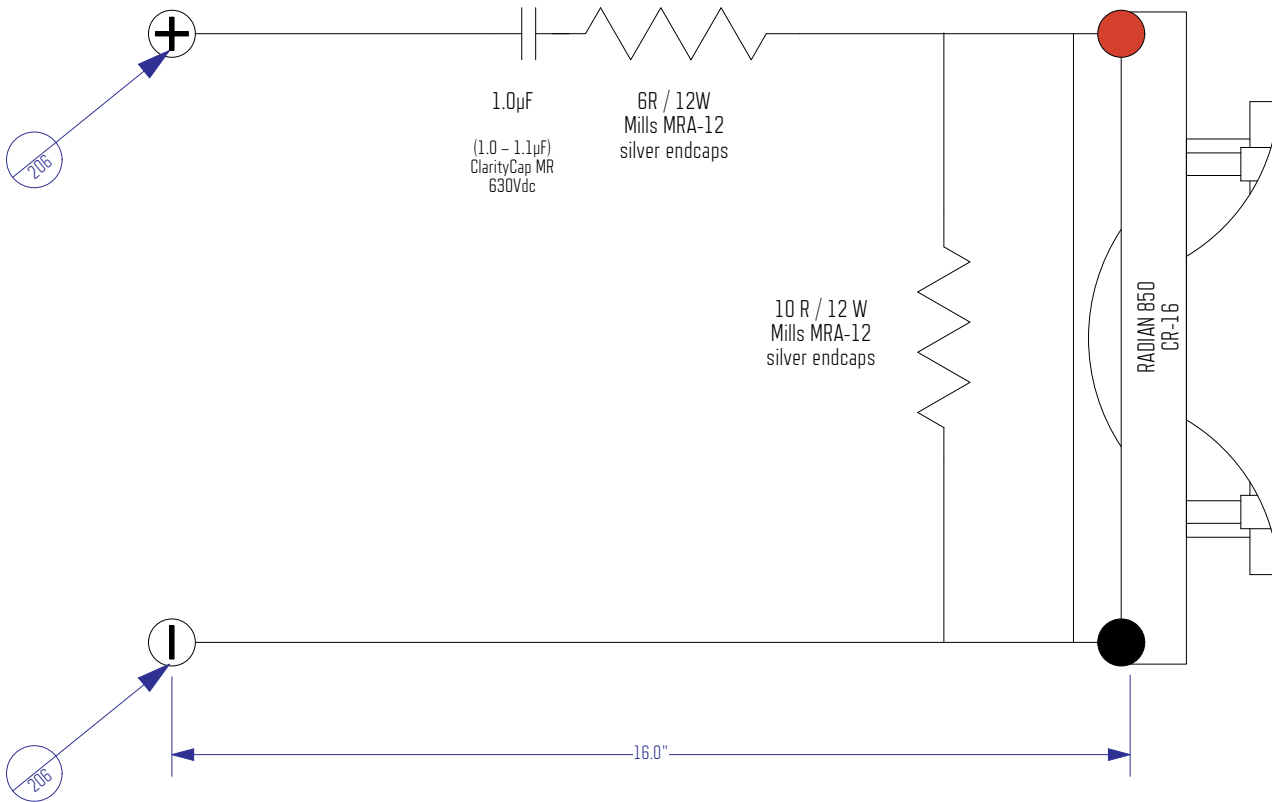
DRUID Mk.IV/2013 RETROFIT


850 TWEETER CUTOUT TEMPLATE



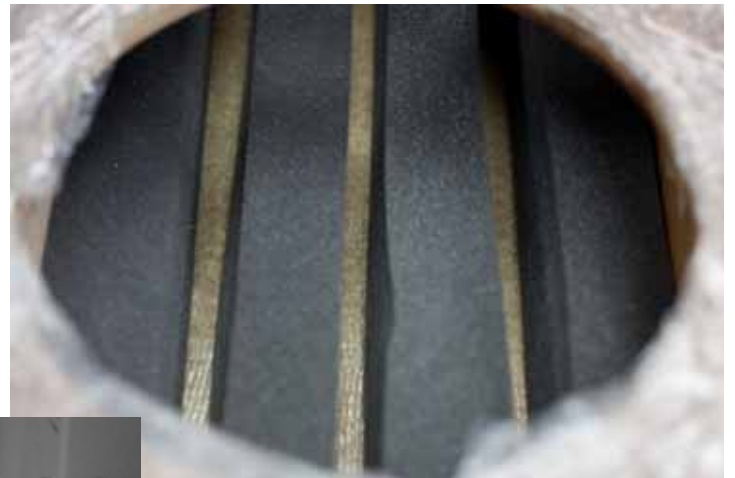
- A1 CUT MARK, ALONG BLACK LINE. ESSENTIALLY YOU CUT OUT THE EXISTING TWEETER COUNTERSINK, THEN THE FOUR NOTCHES. TWEETER ASSEMBLY COMPRESSION MOUNTS, NO CABINET FASTENER HOLES ARE REQUIRED.
- A2 DASHED MAGENTA MARKES ARE THE OLD TWEETER THROUGH HOLE AND RELIEF.
- A3 TWEETER LENS PERIMETER (ASSEMBLY IS COMPRESSION MOUNTED TO THE CABINET).
- A4 RADIAN 850 TWEETER DRIVER PERIMETER.

	<small>DIMENSIONS ARE IN INCHES TOLERANCES: 0.10</small>	<small>THE INFORMATION CONTAINED IN THIS DRAWING IS THE SOLE PROPERTY OF ZU AUDIO.</small>		DRUID-4C_850LENS TEMPLATE		
	MATERIAL			<small>SHEET</small> 1 / 1	<small>SCALE</small> 1:1	<small>DATE</small> 08/27/12



	NOTES	PROPRIETARY AND CONFIDENTIAL PROPERTY OF ZU CABLE INC. THE INFORMATION CONTAINED IN THIS DRAWING IS THE SOLE PROPERTY OF ZU AUDIO. ANY REPRODUCTION IN PART OR AS A WHOLE WITHOUT THE WRITTEN PERMISSION OF ZU AUDIO IS PROHIBITED.		TITLE	
	LEAD WIRE = Zu EVENT #20			DRUID-Mk.IV/13_HIGH-PASS	
MATERIAL		SHEET	DRAWING	SMC	REVISION
		1/1			A

DRUID Mk.IV/2013 RETROFIT PHOTO BOARD





ZU AUDIO

Ogden Commercial Industrial Park
3350 S. 1500 W.
OGDEN, UTAH — U.S.A.

[DESIGNED AND MADE BY US]