



Submittal: Stage Disconnect Switch

SUBMITTAL COVER

DATE:	April 8, 2016
PROJECT:	Chrysalis Amphitheater
Engineer:	Living Design Lab 332 Saint Paul Place, Suite 120 Baltimore, MD 21202
	ARUP 1120 Connecticut Ave NW, #1100 Washington, DC 20036
GENERAL CONTRACTOR:	The Whiting-Turner Contracting Co. 300 East Joppa Road Baltimore, MD 21286
ELECTRICAL CONTRACTOR:	Grounded Electrical Construction 510 McCormick Drive, Suite D Glen Burnie, MD 21061
GEC PRJ#:	15-192
ITEM SUBMITTED:	Stage Disconnect Switch
MANUFACTURER:	ESL Power Systems
VENDOR:	Capital Tristate
SPECIFICATION REFERENCE:	2600
COMPLIANCE VERIFIED BY:	Zak Stevens
COMMENTS:	

SUBMITTED FOR Record

510 McCormick Drive, Suite D
Glen Burnie, MD 21061
Phone: 410.582.8061

ShowSwitch™ Company Switch



100A 208Y/120VAC

Catalog No: CS12-100C-208Y/120-65-311-LS-CW1

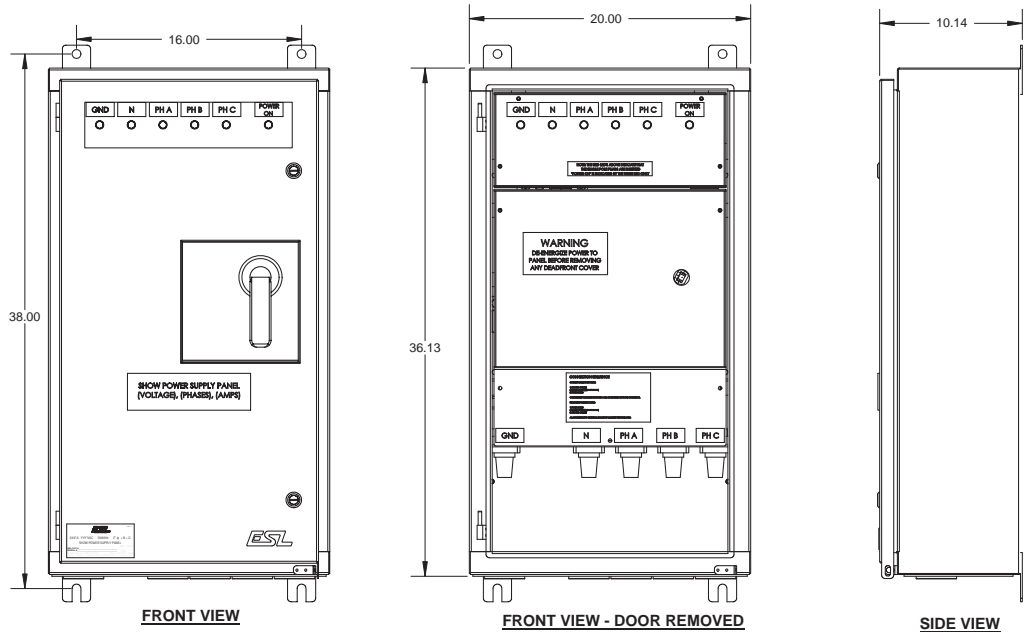
Item No: 3312-01

Features



- UL Listed company switch assembly with safety-interlocked integral 100A circuit breaker
- Type 1 wall mount 14ga powder coated wrinkle black galvanized steel enclosure
- Safety-interlocked door for safe connection, operation, and maintenance
- Color-coded cam-style receptacles nested in interior chamber
- Indicator lights to confirm cam-style connectors are mated and circuit breaker is energized
- Recessed padlockable operator handle
- Padlockable door
- UL Listed molded case main circuit breaker protects operator & equipment

Drawing



Approvals

- UL/cUL Listed assembly
- UL/cUL Listed cam-type receptacles
- UL 489 Listed / CSA certified molded case circuit breaker

Specifications

Catalog No: CS12-100C-208Y/120-65-311-LS-CW1

Item No: 3312-01

Ratings

Receptacles	400A 600VAC rated single pole color-coded series 16 cam-style female black/red/blue phase receptacles, female white neutral receptacle and female green ground receptacle
Circuit breaker	100A Trip, 3P 65kAIC @ 240VAC (80% rated)
Terminals	Breaker Line Terminals: #14 - 1/0 (other options available) Ground Lug - #6 - 250kcmil Neutral Lug - #6 - 350kcmil

Packaging

Product weight	100 lbs.
Approx. shipping weight	135 lbs. (palletized)
Shipping dimensions	40 x 48 x 18

Options

- 480Y/277VAC
- Type 3R
- Dual neutral
- Direct wire connection chamber
- 100% rated circuit breaker
- Stainless steel enclosure
- Flush mount
- Isolated ground
- Choice of exterior color
- Ammeter
- Connection chamber light
- Leg assembly
- Reverse gender receptacle

ShowSwitch™ Company Switch



200A 208Y/120VAC

Catalog No: CS22-200C-208Y/120-65-311-LS-CW1

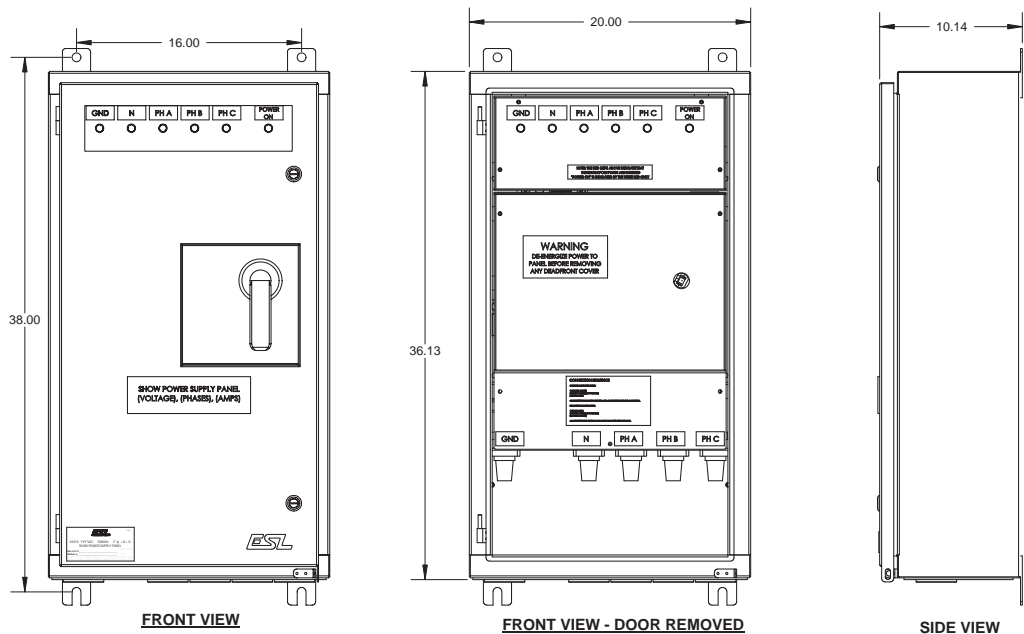
Item No: 3322-01

Features



- UL Listed company switch assembly with safety-interlocked integral 200A circuit breaker
- Type 1 wall mount 14ga powder coated wrinkle black galvanized steel enclosure
- Safety-interlocked door for safe connection, operation, and maintenance
- Color-coded cam-style receptacles nested in interior chamber
- Indicator lights to confirm cam-style connectors are mated and circuit breaker is energized
- Recessed padlockable operator handle
- Padlockable door
- UL Listed molded case main circuit breaker protects operator & equipment

Drawing



Approvals

- UL/cUL Listed assembly
- UL/cUL Listed cam-type receptacles
- UL 489 Listed / CSA certified molded case circuit breaker

Specifications

Catalog No: CS22-200C-208Y/120-65-311-LS-CW1

Item No: 3322-01

Ratings

Receptacles	400A 600VAC rated single pole color-coded series 16 cam-style female black/red/blue phase receptacles, female white neutral receptacle and female green ground receptacle
Circuit breaker	200A Trip, 3P 65kAIC @ 240VAC (80% rated)
Terminals	Breaker Line Terminals: #4 - 4/0 (other options available) Ground Lug - #6 - 250kcmil Neutral Lug - #6 - 350kcmil

Packaging

Product weight	100 lbs.
Approx. shipping weight	135 lbs. (palletized)
Shipping dimensions	40 x 48 x 18

Options

- 480Y/277VAC
- Type 3R
- Dual neutral
- Direct wire connection chamber
- 100% rated circuit breaker
- Stainless steel enclosure
- Flush mount
- Isolated ground
- Choice of exterior color
- Ammeter
- Connection chamber light
- Leg assembly
- Reverse gender receptacle

ShowSwitch™ Company Switch Assembly



400A 208Y/120VAC

Catalog No: CS42-400C-208Y/120-65-311-LS-CW1

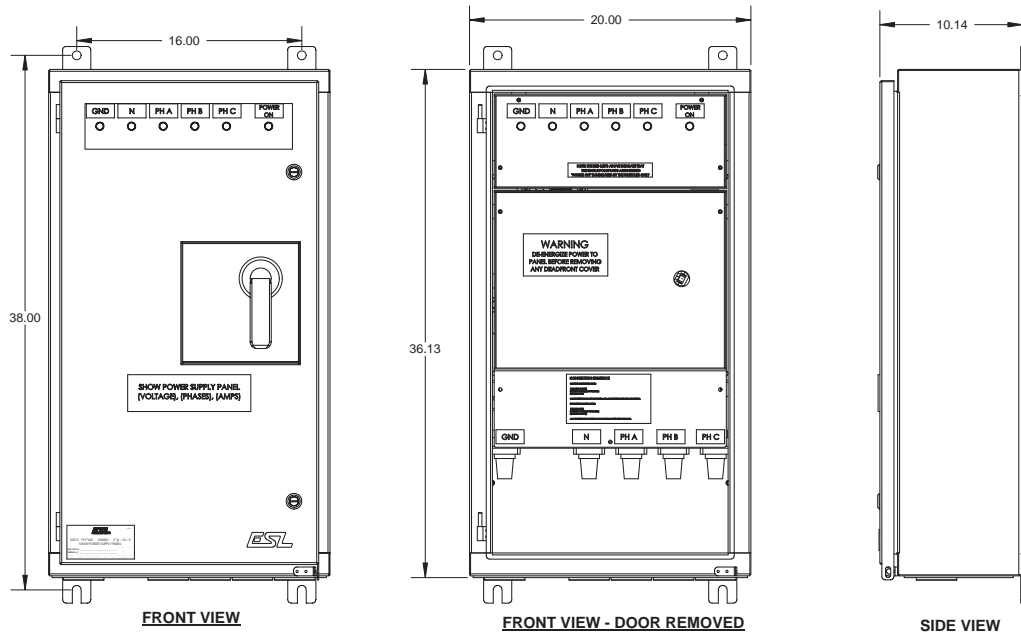
Item No: 3342-01

Features



- UL Listed company switch assembly with safety-interlocked integral 400A circuit breaker
- Type 1 wall mount 14ga powder coated wrinkle black galvanized steel enclosure
- Safety-interlocked door for safe connection, operation, and maintenance
- Color-coded cam-style receptacles nested in interior chamber
- Indicator lights to confirm cam-style connectors are mated and circuit breaker is energized
- Recessed padlockable operator handle
- Padlockable door
- UL Listed molded case main circuit breaker protects operator & equipment

Drawing



Approvals

- UL/cUL Listed assembly
- UL/cUL Listed cam-type receptacles
- UL 489 Listed / CSA certified molded case circuit breaker

Specifications

Catalog No: CS42-400C-208Y/120-65-311-LS-CW1

Item No: 3342-01

Ratings

Receptacles	400A 600VAC rated single pole color-coded series 16 cam-style female black/red/blue phase receptacles, female white neutral receptacle and female green ground receptacle
Circuit breaker	400A Trip, 3P 65kAIC @ 240VAC (80% rated)
Terminals	Breaker Line Terminals: (2) 3/0-250kcmil (other options available) Ground Lug - #6 - 250kcmil Neutral Lug - #6 - 350kcmil

Packaging

Product weight	110 lbs.
Approx. shipping weight	145 lbs. (palletized)
Shipping dimensions	40 x 48 x 18

Options

- 480Y/277VAC
- Type 3R
- Dual neutral
- Direct wire connection chamber
- 100% rated circuit breaker
- Stainless steel enclosure
- Flush mount
- Isolated ground
- Choice of exterior color
- Ammeter
- Connection chamber light
- Leg assembly
- Reverse gender receptacle