



ELISH WARLOP DESIGN STUDIO



Walnut Window Shades are meant to both connect and divide. Each bar rotates, spinning the shades open or closed. They can be placed in front of a window or in the middle of a space allowing for more or less light to travel through.

## Walnut Window Shades

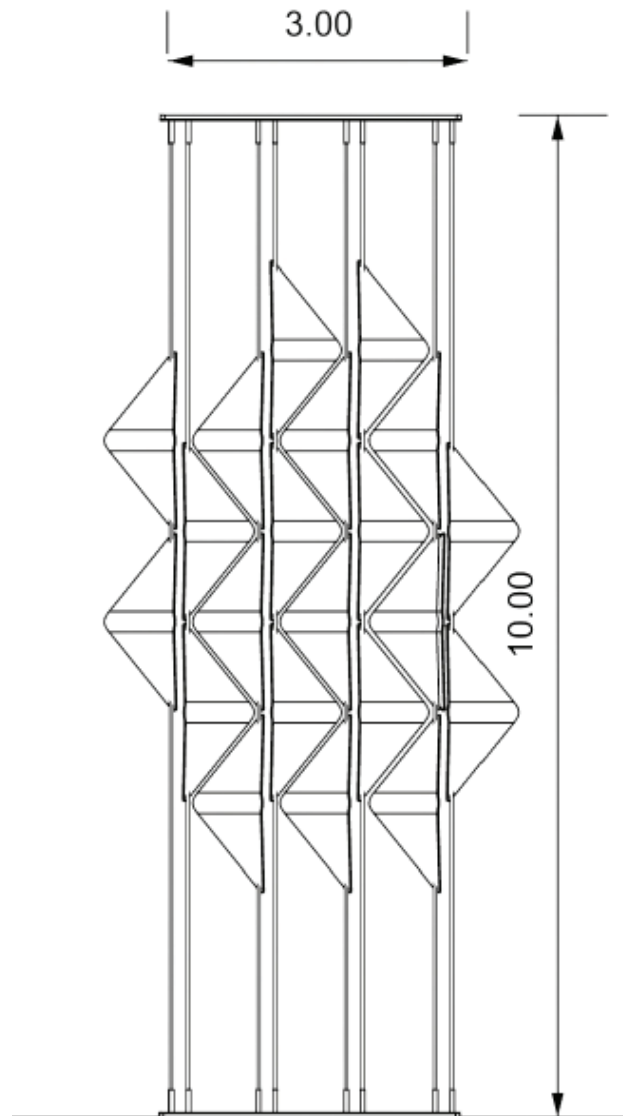
[elishwarlop.com](http://elishwarlop.com)

917.696.2483

[elishwarlop@gmail.com](mailto:elishwarlop@gmail.com)



ELISH WARLOP DESIGN STUDIO



## PRODUCT INFORMATION

Material:

Walnut, Brass, or  
White Oak and Aluminum  
Custom Materials avail-  
able upon  
request

Mounting:

Top and bottom plate attach  
to floor and ceiling. For flush  
mounting, coordinate  
mounting plate dimensions  
with Designer/Contractor.

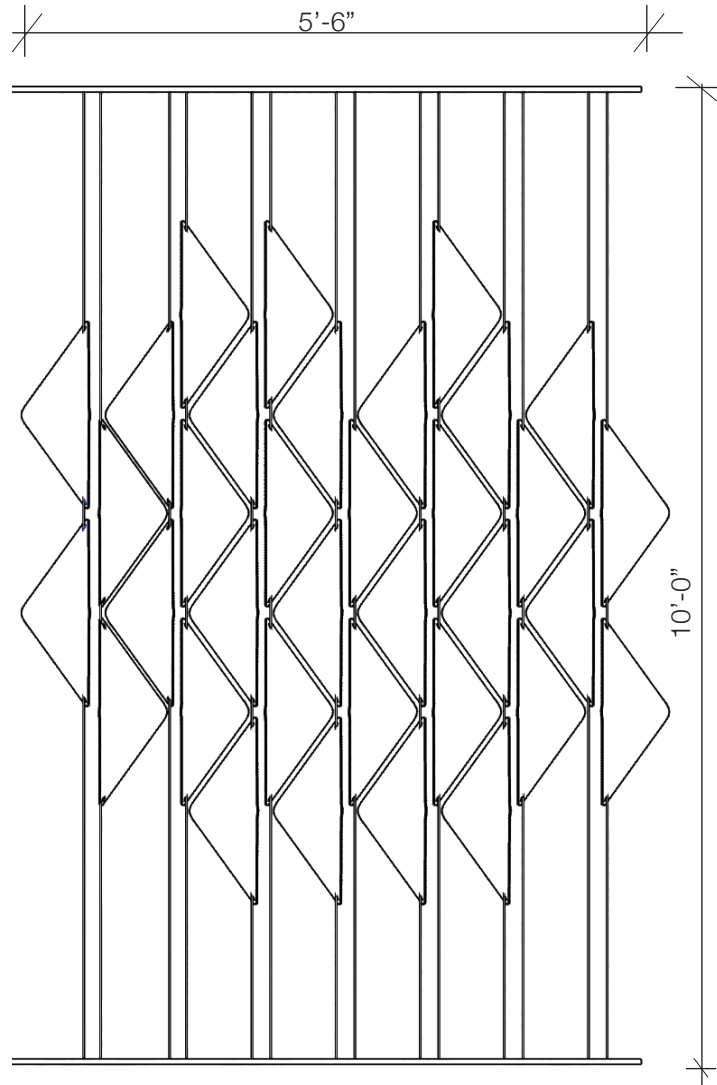
Dimensions:

8 bar: 3' x 10' x 6",  
21 shades.  
Custom dims.  
available upon  
request.

# Walnut Window Shades



ELISH WARLOP DESIGN STUDIO



## PRODUCT INFORMATION

Material:

Walnut, Brass, or  
White Oak and Aluminum  
Custom Materials avail-  
able upon  
request

Mounting:

Top and bottom plate attach  
to floor and ceiling. For flush  
mounting, coordinate  
mounting plate dimensions  
with Designer/Contractor.

Dimensions:

14 bar: 6' x 10' x 6",  
32 shades.  
Custom dims.  
available upon  
request.

## Walnut Window Shades