



PRODUCT NAME:

EZ TRIM

PRODUCT DESCRIPTION:

E-Z Trim is a high quality gray butyl tape that is extruded onto smooth silicone release paper. It is used to bond and seal metal roofing, windows, gutters and roof penetrations. E-Z Trim is available in a wide variety of sizes to meet the critical requirements of the manufactured housing and RV industries.

PRODUCT ADVANTAGES:

E-Z Trim is the butyl tape that trims easily and cleanly.

- Superior adhesion
- Stronger than putty tapes
- Easily trimmed with blunt tool
- No scratching of window unit
- Awled quickly and cleanly
- Provides watertight seal

PRODUCT INSTALLATION:

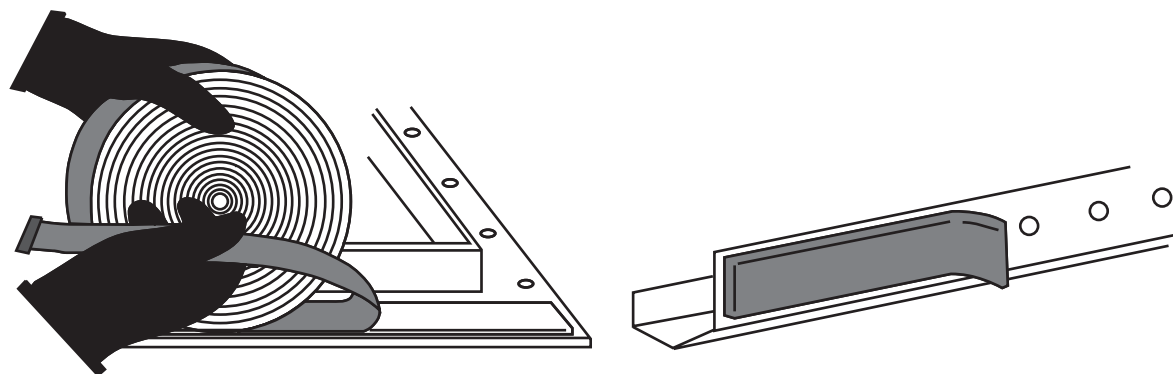
Surface Preparation: All surfaces to be sealed should be free of dust, dirt, oil, moisture, grease, etc. before applying tape.

Application: Apply directly from roll or cut to size with knife or scissors. Press E-Z Trim firmly into place with hand. Intimate contact must be made between tape and subsurface to assure a watertight seal. Gently peel off silicone release paper. When lapping tape, allow at least 1/4" (6.4 mm) overlap.

Working Conditions: Apply in normal dry working conditions.

Meets AAMA 807.1-85 Requirements

PRODUCT INSTALLATION DIAGRAM:





PRODUCT NAME:

EZ TRIM

PRODUCT PROPERTIES AND PERFORMANCE DATA:

TEST METHOD	DESCRIPTION	AVG	σ	REPLICATES
ASTM D 792	Specific Gravity lb./gal (US)	15.4	0.1	2
ASTM C 765	Low Temperature Flexibility	No loss of adhesion or cracking		
ASTM C 771	Weight Loss after Heat Aging	0.39	0.002	2
ASTM C 772	Oil Migration/Plasticizer Bleed-Out	Slight wetting on top sheet. No bleed		2
ASTM C 782	Softness mm penetration	9.7	0.2	5
ASTM C 907	Tensile Adhesive Strength lb. force	34.0 MOF: Cohesive	2.4	2
ASTM C 908	Yield Strength, lb. force	8.0	0.2	2

GSSI Sealants, Inc. warrants that its products will be in good quality thereby conforming to current specifications established on product sheet at the time of shipment. Buyer is responsible for determining whether GSSI Sealant, Inc.'s products are fit for the buyer's particular purpose and suitable for its method of application. Specifications are subject to change without notice.

*ALL TESTS PERFORMED BY INDEPENDENT LABORATORIES. REPORTS AVAILABLE UPON REQUEST.