



PRODUCT NAME:

MH-200 SEALANT TAPE

PRODUCT DESCRIPTION:

MH-200 is a quality extruded sealant for mobile home, RV and modular home waterproofing. This tape offers superior performance over the conventional putty tapes commonly used for windows, doors, vents, etc. The blend of binders and tackifying resins gives long service life under severe atmospheric conditions. No winter/summer formulation changes are required of this premium sealant.

PRODUCT ADVANTAGES:

MH-200 is ready-to-use in roll form on high quality silicone release paper to assure ease of application to the sealing surface.

- Greater adhesive strength
- 100% solids to keep its volume
- Superior application time and service range
- Excellent flexibility for movement in buildings
- Withstands extreme temperatures
- Water resistant corrugated carton packaging
- Available in a variety of sizes and widths
- No cracking or crumbling
- Trims cleanly

PRODUCT INSTALLATION:

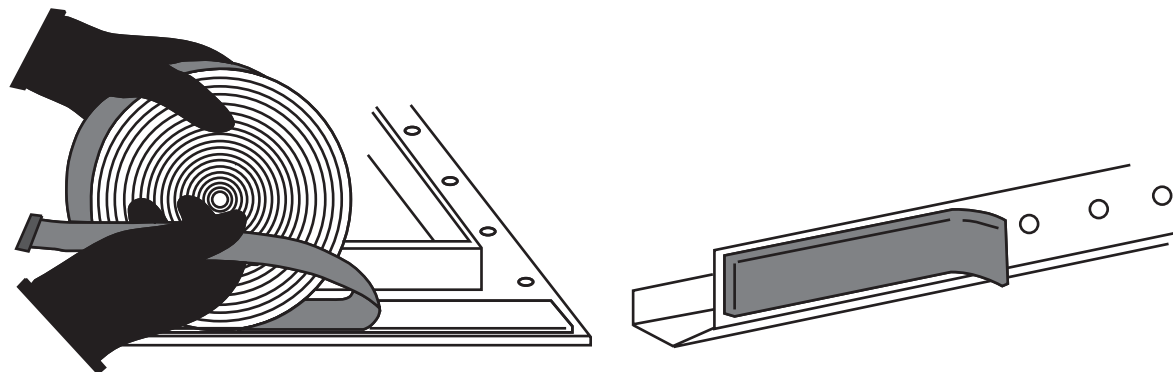
Surface Preparation: All surfaces to be sealed should be free of dust, dirt, oil, and moisture before applying tape.

Working Conditions: Apply in normal dry working conditions above 40°F (4°C).

Application: Apply directly from roll onto surface to be sealed. Cut to length with scissors or knife. Pressing from paper side, adhere tape firmly onto surface. Gently peel off silicone release paper.

Meets State and Federal Requirements

PRODUCT INSTALLATION DIAGRAM:





PRODUCT NAME:

MH-200 SEALANT TAPE

PRODUCT PROPERTIES AND PERFORMANCE DATA:

TEST METHOD	DESCRIPTION	AVG	σ	REPLICATES
ASTM D 792	Specific Gravity lb./gal (US)	15.7	0.2	2
ASTM C 765	Low Temperature Flexibility	No loss of adhesion or cracking		
ASTM C 771	Weight Loss after Heat Aging	0.35	0.003	2
ASTM C 772	Oil Migration/Plasticizer Bleed-Out	No stain		2
ASTM C 782	Softness mm penetration	9.4	0.3	5
ASTM C 907	Tensile Adhesive Strength lb. force	30.1 MOF: Cohesive	2.6	2
ASTM C 908	Yield Strength lb. force	7.9	0.4	2

3605 WILLOWBEND SUITE 575 HOUSTON TX 77054 TEL 800.288.9489 FAX 888.947.4925 WWW.GSSISEALANTS.COM

GSSI Sealants, Inc. warrants that its products will be in good quality thereby conforming to current specifications established on product sheet at the time of shipment. Buyer is responsible for determining whether GSSI Sealant, Inc.'s products are fit for the buyer's particular purpose and suitable for its method of application. Specifications are subject to change without notice.

*ALL TESTS PERFORMED BY INDEPENDENT LABORATORIES. REPORTS AVAILABLE UPON REQUEST.