



PRODUCT NAME:

MH-19 BLACK RUBBER TAPE

PRODUCT DESCRIPTION:

MH-19 is a pressure-sensitive sealant tape extruded onto silicone release paper. MH-19 is widely used in the mobile home, RV and modular construction industries wherever a watertight seal is critical such as roof seams, roof to sidewall, vents, stacks and gutter mountings.

PRODUCT ADVANTAGES:

MH-19 makes construction jobs move smoothly and quickly.

- Superior adhesion
- Stronger than putty tapes
- Easily trimmed with blunt tool
- Awled quickly and cleanly
- Provides watertight seal
- Easy application
- Excellent adhesion to sidewalls
- No discoloration

PRODUCT INSTALLATION:

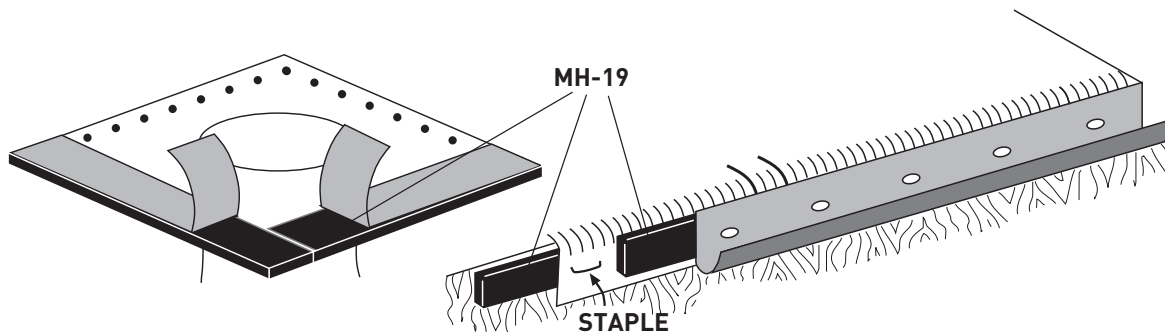
Surface Preparation: All surfaces to be sealed should be free of dust, dirt, oil, moisture, grease, etc. before applying tape.

Working Conditions: Apply in normal dry working conditions.

Application: Apply directly from roll or cut to size with knife or scissors. Press MH-19 firmly into place with hand. Intimate contact must be made between tape and subsurface to assure a watertight seal. Gently peel off silicone release paper. When lapping tape, allow at least 1/4" (6.4 mm) overlap.

Meets AAMA 807.1-85 Requirements

PRODUCT INSTALLATION DIAGRAM:





PRODUCT NAME:

MH-19 BLACK RUBBER TAPE

PRODUCT PROPERTIES AND PERFORMANCE DATA:

TEST METHOD	DESCRIPTION	AVG	0	REPLICATES
ASTM D 792	Specific Gravity lb./gal (US)	15.4	0.1	2
ASTM C 765	Low Temperature Flexibility	No loss of adhesion or cracking		
ASTM C 771	Weight Loss after Heat Aging	0.39	0.002	2
ASTM C 772	Oil Migration/Plasticizer Bleed-Out	Slight wetting on top sheet. No bleed		2
ASTM C 782	Softness mm penetration	9.7	0.2	5
ASTM C 907	Tensile Adhesive Strength lb. force	34.0 MOF: Cohesive	2.4	2
ASTM C 908	Yield Strength, lb. force	8.0	0.2	2

GSSI Sealants, Inc. warrants that its products will be in good quality thereby conforming to current specifications established on product sheet at the time of shipment. Buyer is responsible for determining whether GSSI Sealant, Inc.'s products are fit for the buyer's particular purpose and suitable for its method of application. Specifications are subject to change without notice.

*ALL TESTS PERFORMED BY INDEPENDENT LABORATORIES. REPORTS AVAILABLE UPON REQUEST.