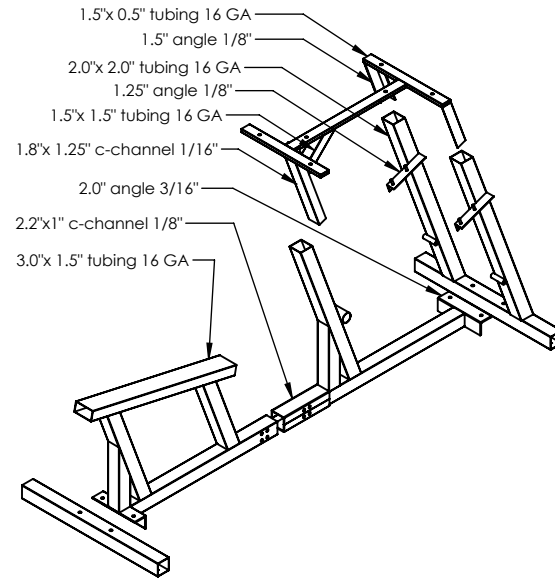
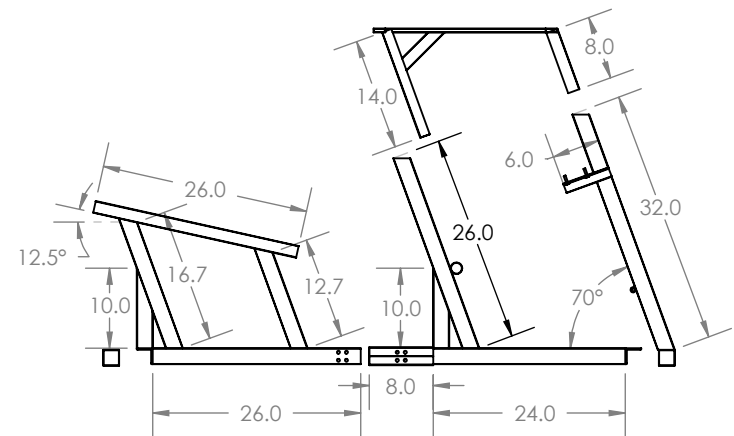


ITEM NO.	PART NUMBER	QTY.
1	2.0" square steel tubing 26" long	2
2	2.0" square steel tubing 32" long	2
3	2.0" square steel tubing 10" long	2
4	2.0" square steel tubing 14" long	1
5	2.0" square steel tubing 18" long	1
6	26" long, 3.0" x 1.5" rectangular steel tubing, .06" wall thickness	1
7	tubing_angle_steel_1.25in-x-1.25in_0.125in-thick_bearing-support	2
8	14" long, 2.0" x 0.5" rectangular steel tubing, .06" wall thickness	2
9	bottom bracket shell 68mm	1
10	tubing_round_steel_0.65in_0.125in_thick	2
11	20" long, 2.0" x 0.5" rectangular steel tubing, .06" wall thickness	1
12	bolt_0.25in_1in-long	4
13	tubing_square_steel_1.50in-x-0.06in-thick_table-support-gusset	1
14	2.0" square steel tubing 24" long	2
15	tubing_c-channel_steel_2.0in-x-1in_0.1in-thick_frame-joint	2
16	tubing_angle_steel_2.0in-x-2.0in_0.2in-thick	2
17	tubing_c-channel_steel_2.0in-x-1.25in_0.1in-thick_central-nesting	1
18	2.0" square steel tubing 32" long	1
19	tubing_angle_steel_1.5in-x-1.5in_0.125in-thick_nested-upright	2



Side View



PROPRIETARY AND CONFIDENTIAL
 THE INFORMATION CONTAINED IN THIS DRAWING IS THE SOLE PROPERTY OF PEDAL POWERED ENGINEERING, LLC. ANY REPRODUCTION IN PART OR AS A WHOLE WITHOUT THE WRITTEN PERMISSION OF PEDAL POWERED ENGINEERING, LLC IS PROHIBITED.

		UNLESS OTHERWISE SPECIFIED:	NAME	DATE	TITLE: RC 1 Frame
		DIMENSIONS ARE IN INCHES TOLERANCES: FRACTIONAL ± ANGULAR: MACH ± BEND ± TWO PLACE DECIMAL ± THREE PLACE DECIMAL ±	DRAWN		
		INTERPRET GEOMETRIC TOLERANCING PER:	CHECKED		
		MATERIAL Mild Steel	ENG APPR.		
NEXT ASSY	USED ON	FINISH	MFG APPR.		SIZE A
APPLICATION		DO NOT SCALE DRAWING	Q.A.		DWG. NO.
			COMMENTS:		REV
					SCALE: 1:24
					WEIGHT:
					SHEET 1 OF 1