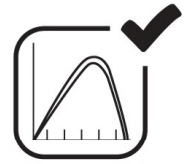


# Single Phase

## SGI - 5K - IL2



Max. Efficiency  
97.5%



1 MPPT



RS485/RS232



IP65  
Ingress Protection



Zero Export

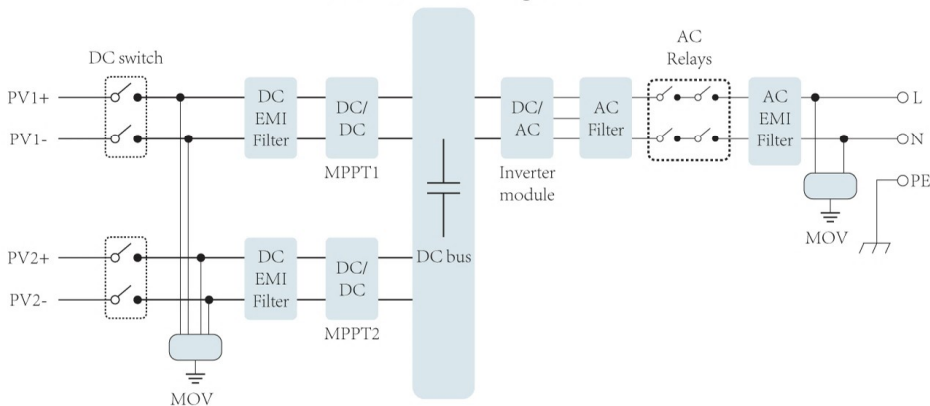


High Surge  
Endurance

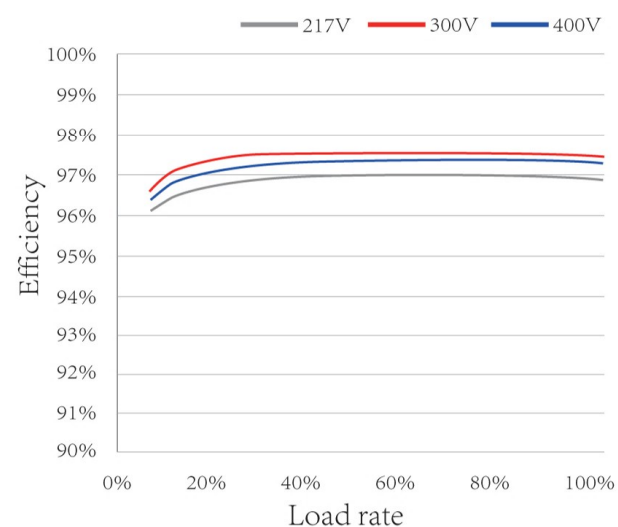


High Power  
Factor

Circuit block diagram



Efficiency curve





# Technical Specifications

Model		SGI-5K-IL2
Energy source		Grid-connected PV
Input Side		
Max.DC Power(kW)		6.5
Max.DC Input Voltage(V)		500
Start-up DC Input Voltage(V)		120
MPPT Operating Range(V)		100~500
Max.DC Input Current(A)		10+10
Number of MPPT/ Strings per MPPT		2/1
Output Side		
Rated Output Power(kW)		5
Max.Active Power(kW)		5.5
Rated AC Grid Voltage(V)		230
AC Grid Voltage Range(V)		180~300
Rated Grid Frequency(Hz)		50/60 (Optional)
Operating Phase		Single phase
Rated AC Grid Output Current(A)		22
Max.AC Output Current(A)		24
Output Power Factor		>0.99
Grid Current THD		<3%
DC Injection Current(mA)		<0.5%
Grid Frequency Range		47~52 or 57~62(Optional)
Efficiency		
Max. Efficiency		97.5%
Euro Efficiency		97.3%
MPPT Efficiency		>99%
Protection		
DC Reverse-Polarity Protection		Yes
AC Short Circuit Protection		Yes
AC Output Overcurrent Protection		Yes
Output Overvoltage Protection		Yes
Insulation Resistance Protection		Yes
Ground Fault Monitoring		Yes
Surge Protection		Yes
Islanding Protection		Yes
Temperature Protection		Yes
Integrated DC Switch		Optional
General Data		
Size(mm)		330W × 347.5H × 179D
Weight(kg)		12.5
Topology		Transformerless
Internal Consumption		<1W(Night)
Running Temperature		-25~60 °C
Ingress Protection		IP65
Noise Emission(Typical)		<30 dB
Cooling Concept		Intelligent cooling
Max. Operating Altitude Without Derating		2000m
Designed Lifetime		>20 years
Grid Connection Standard		EN50438,IEC61727,VDE0126-1-1,VDE4105,NB/T32004(CQC),IEC62109-1-2
Operating Surroundings Humidity		0-100%
Stafty EMC /Standard		IEC62109-1/-2,EN61000-6-1,EN61000-6-3
Features		
DC Connection		MC-4 mateable
AC Connection		IP65 rated plug
Display		LCD1602
Interface		RS485/RS232