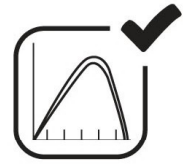


Three Phase

SGI-50K-AL



Max. Efficiency
98.7%



4 MPPT



RS485/RS232



Internal SPD



Zero Export



IP65
Ingress Protection

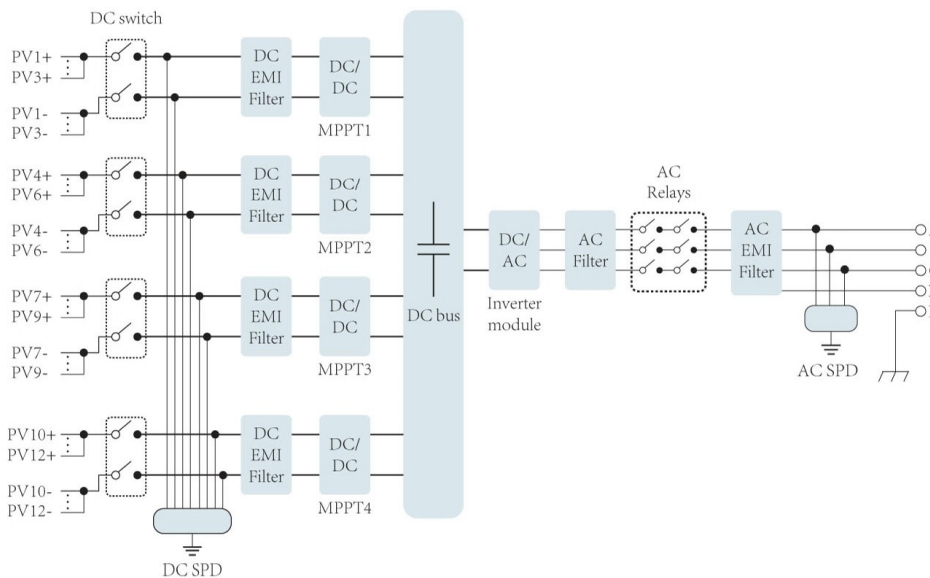


High Power
Factor

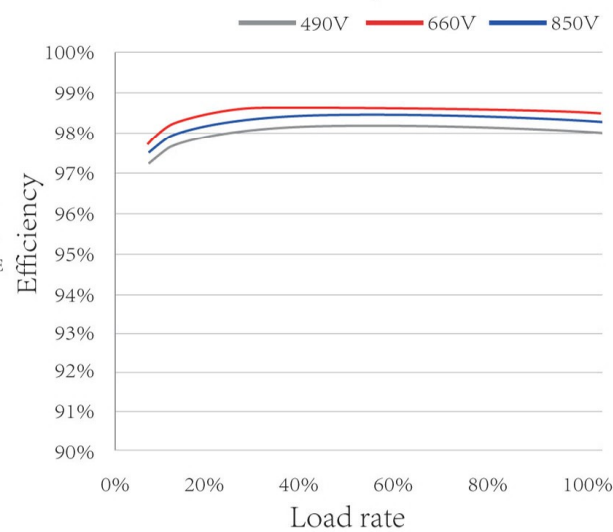


High Surge
Endurance

Circuit block diagram



Efficiency curve





Technical Specifications

Model		SGI-50K-AL
Energy source		Grid-connected PV
Input Side		
Max.DC Power(kW)		65
Max.DC Input Voltage(V)		1000
Start-up DC Input Voltage(V)		250
MPPT Operating Range(V)		200~850
Max.DC Input Current(A)		30+30+30+30
Number of MPPT/ Strings per MPPT		4/3
Output Side		
Rated Output Power(kW)		50
Max.Active Power(kW)		55
Rated AC Grid Voltage(V)		380/400
AC Grid Voltage Range(V)		277~460
Rated Grid Frequency(Hz)		50/60 (Optional)
Operating Phase		Three phase
Rated AC Grid Output Current(A)		72.4
Max.AC Output Current(A)		79.64
Output Power Factor		>0.99
Grid Current THD		<3%
DC Injection Current(mA)		<0.5%
Grid Frequency Range		47~52 or 57~62(Optional)
Efficiency		
Max. Efficiency		98.7%
Euro Efficiency		98.3%
MPPT Efficiency		>99%
Protection		
DC Reverse-Polarity Protection		Yes
AC Short Circuit Protection		Yes
AC Output Overcurrent Protection		Yes
Output Overvoltage Protection		Yes
Insulation Resistance Protection		Yes
Ground Fault Monitoring		Yes
Surge Protection		Yes
Islanding Protection		Yes
Temperature Protection		Yes
Integrated DC Switch		Optional
General Data		
Size(mm)		700W×684H×307D
Weight(kg)		55
Topology		Transformerless
Internal Consumption		<1W(Night)
Running Temperature		-25~60℃
Ingress Protection		IP65
Noise Emission(Typical)		<30 dB
Cooling Concept		Intelligent cooling
Max. Operating Altitude Without Derating		2000m
Designed Lifetime		>20 years
Grid Connection Standard		EN50438,IEC61727,VDE0126-1-1,VDE4105,NB/T32004(CQC),IEC62109-1-2
Operating Surroundings Humidity		0-100%
Stafy EMC /Standard		IEC62109-1/-2,AS3100,EN61000-6-1
Features		
DC Connection		MC-4 mateable
AC Connection		IP65 rated plug
Display		LCD 240 × 160
Interface		RS485/RS232