

Installing your Framed One Page Bible

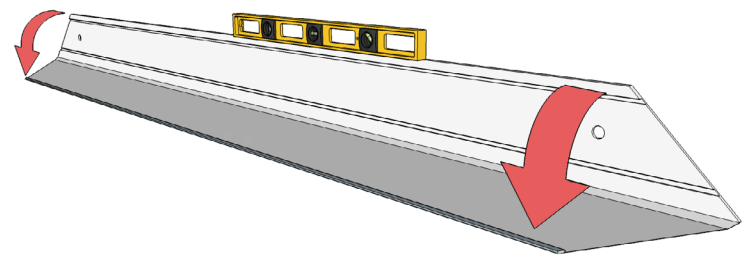
This frame anchors into drywall and uses springs to hold your One Page Bible taut, a bit like a trampoline. Here's a quick overview of how you'll install it.

What you'll need:

- A level
- A pencil
- A stud finder (optional)
- A drill with a half-inch bit and a Phillips head bit
- Gloves and safety glasses

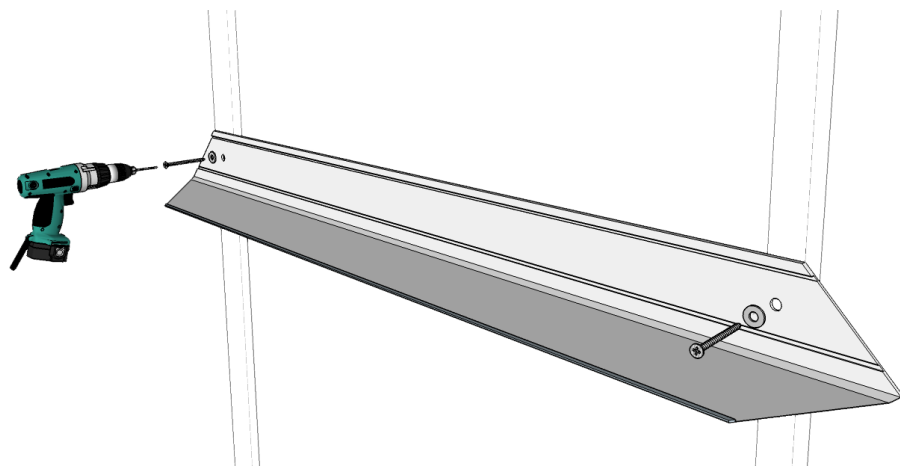
Everything else you need will be in the box.

①



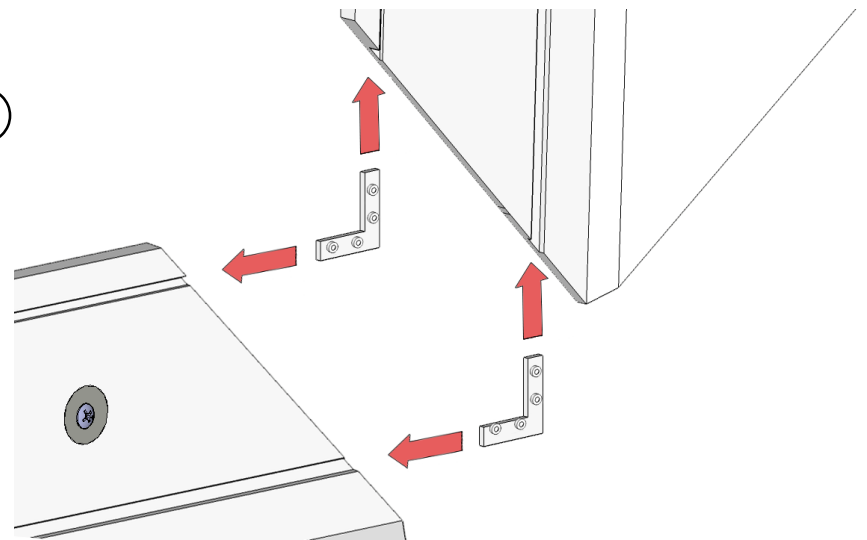
Open the bottom frame piece and position it on the wall.

②



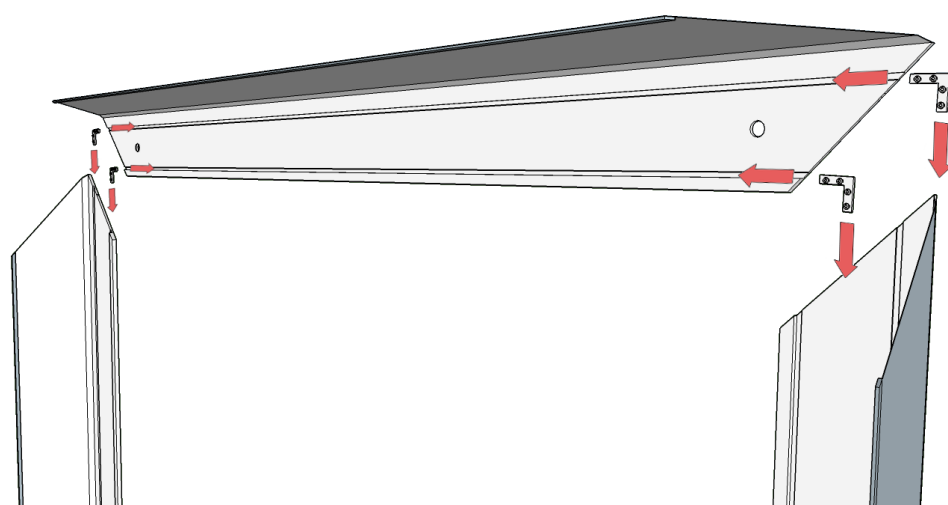
If the holes fall on studs, you'll screw the frame to the wall. If they don't, you'll use drywall anchors. Both screws and anchors are included.

③



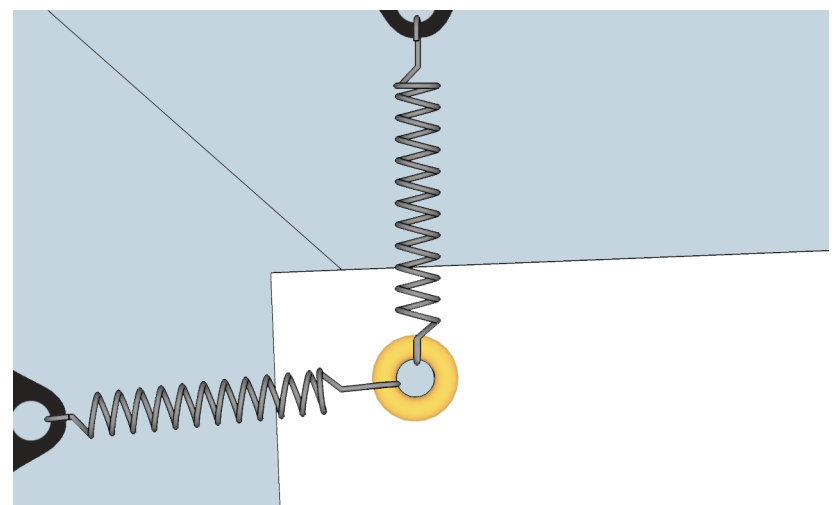
Slide the side pieces into place.

④



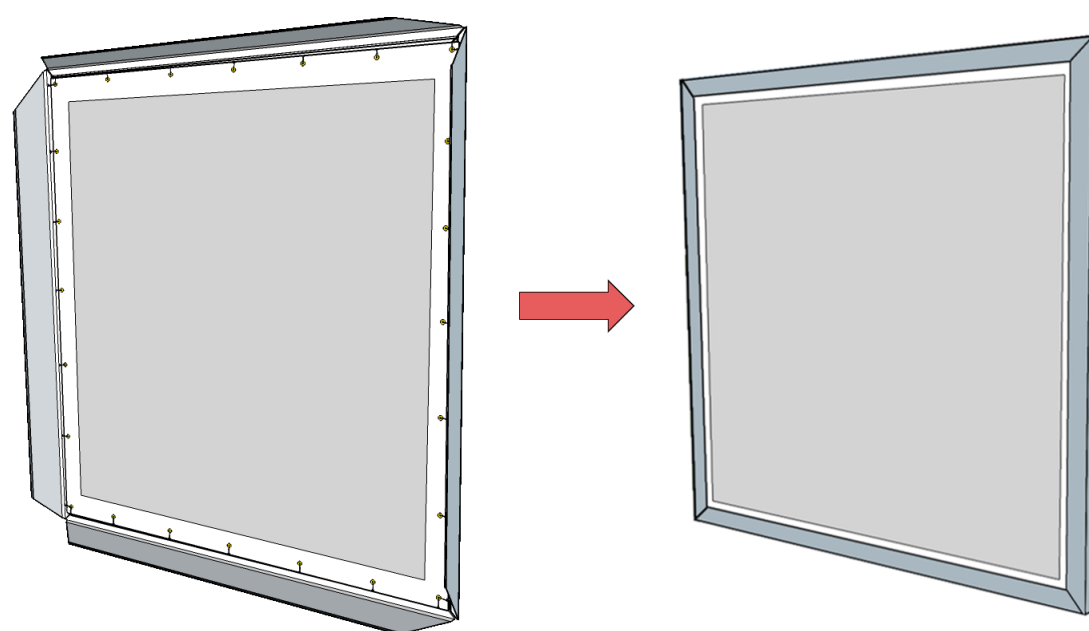
Slide the top piece into place and screw or anchor it as you did on the bottom.

⑤



Attach the springs that run around the inside of the frame to the grommets that run around the outside of the print. We've included a small hook tool that makes this easy.

⑥



Close the frame over the springs, leaving a taut print with a museum-quality look.