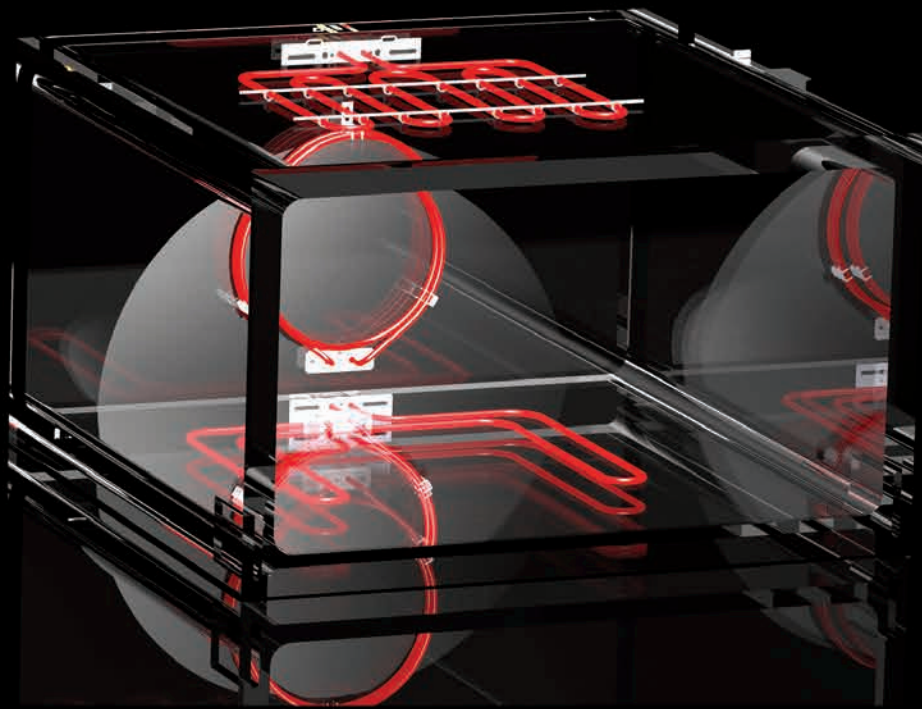




wilson elements

appliances made better



2016

Catalogue & Technical Manual

Contents

Introduction	2	
Universal Fitting Systems	4	
Conventional & Fan Oven	6	
Grill - Gas / Electric	16	
Commercial- Bain-Marie	18	
Universal Fan Motor	19	
Hotplates - Radiant Wired & Plug in.	20	
Solid	22	
Universal Energy Regulators	23	
Universal Cooker & Appliance Knobs	24	
Trim Rings	26	
Sockets	27	
Drip Pans	28	
Appliance elements - Dryer	29	
Appliance elements -Dishwasher	30	
Appliance elements -Defrost	31	
Hot Water	32	
Diamond H Controls	34	
Diamond H Controls	Energy Regulators	35
Diamond H Controls	Thermostats	37
Diamond H Controls	Conversion Guides	39
Cross Reference	Stokes to Wilson	43
Cross Reference	Grimwood to Wilson	44

Although all care has been taken to ensure the accuracy of the information contained here in,
no responsibility is assumed for any error or omissions by Wilson Elements.

Due to changes in manufacture, images of elements may vary slightly from those shown in this catalogue.

Manufacturers names are used for cross reference purposes only and do not constitute any recommendation or endorsement.
All of Wilson Elements are recommended to be installed by a qualified trades person as some modification may be required.

2 3 Good Reasons to use Wilson Elements

Products made for technicians, by technicians

It all started with an idea.

After selling elements in a mid sized service business for many years and despite having a huge range it seemed as though we to often did not have the correct oven element in stock, many that were almost identical, having only minor variations that were enough to require the ordering of the part ,so the customer had to wait or went somewhere else.

Then one day it struck us that if we designed it properly one element design could replace a large proportion of oven elements so we patented the idea. Our approaches to the major Australian suppliers of heating elements to take up the idea were met with little interest or in some cases hostility and it became obvious that no one was interested in innovating for the appliance service industry.

So in 2002 Wilson Elements was formed with the objective of supplying high quality innovative elements & accessories at a low cost. By 2006 with an expanding range & strong network of distributors, Wilson Elements became the sole Australian & New Zealand agents for Diamond H Controls.

Today, with a rapidly growing reputation for quality & design, Wilson Elements are not just available across Australia through specialists in the appliance parts suppliers but is also exported to Europe's largest independent parts supplier as well as supplying custom designs to OEM manufacturers.

Value

Having roots in the service industry means that we understand many of the pressures service businesses operate under as appliances increasingly seem to be made with shorter lifecycles & with consumers seeming more willing to replace than to repair we believe that it is important to work with the service industry to create products that make servicing more cost effective to help make service a more competitive option against new products.

So with your input, we look forward to making products you want at prices that please.

Design & testing

With over 30 years experience in the appliance service business we have a unique approach to supplying the service industry. We want to help you grow the business by offering **innovative , reliable & low cost** components specifically designed for the Australian market giving you the flexibility to reduce the costs to your customer and so get a higher portion of the jobs you quote on or increase your profit margin. For example a stove with 3 blown elements should be a great opportunity for you, not your local white good shop!

Our universal designs help to make you more efficient as well as keep your customer happier by having the right parts in stock to get the job done.

Designed in Australia

Utilising latest technologies such as 3D printing to improve the development process, all our components are individually designed & specified here in Australia for Australian conditions and although we manufacture replacement parts, where possible we try to improve on the original design with feedback from the field.

Tested in Australia

It is not enough for our components to be the best value elements in Australia. As we know **They must be reliable!** So we specify the highest quality materials and strictly manage production methods.

Prior to release of new products, random production samples are tested rigorously in real stoves to make sure the products are reliable.

New in this edition.

Wilson Elements is pleased to present our latest products and improvements to our current popular universal service designs. It is a result our ongoing commitment to implementing continual improvements that result from the feedback of field technicians and consumers. Designed to suit a wide range of European & Australian manufactured ovens by utilizing exclusive Wilson Elements designed mounting systems & they continue to improve the value they offer the trade and customer by having the right parts easily available & affordable.

Universal Cooker Knobs



Page 24-25

In development for 3 years the new Wilson Elements Design has set sales records & won universal acclaim, with continuing development to enhance ease of installation, flexibility appeal for service & customization.



Universal Grill

New universal grill element continues to expand the advantages of our universal range of service components. Not only offering a cost effective reliable solution the design offers improved performance & durability over most OEM designs with even grilling with increased element coverage.

Page 17

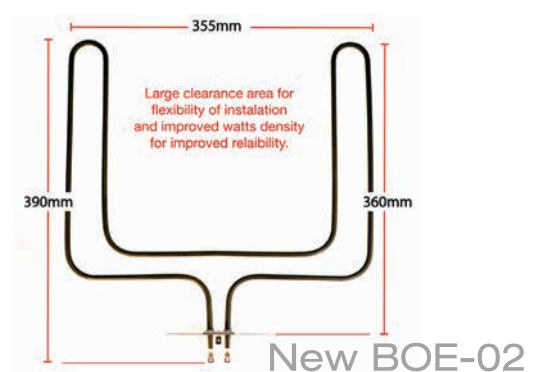


New GRE

New Concealed Universal Elements

BOE-025,6,7 Universal Concealed Heat Element
New concealed & bottom oven element replacement range compliments the new universal designs by focusing of flexibility & improved performance at a less than original component price.

Page 7-8



New BOE-02

Universal Fan Series.

Fan oven elements continue to be developed with enhancements to existing designs and expansion of the range to reflect industry design trends & developments.

Check out the new fit guides to make selection easier!

Page 10-15



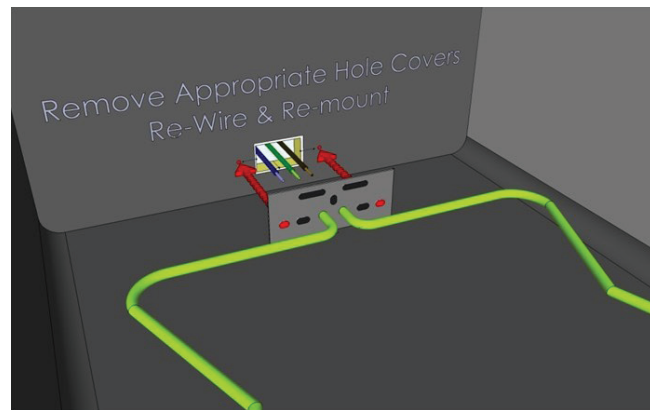
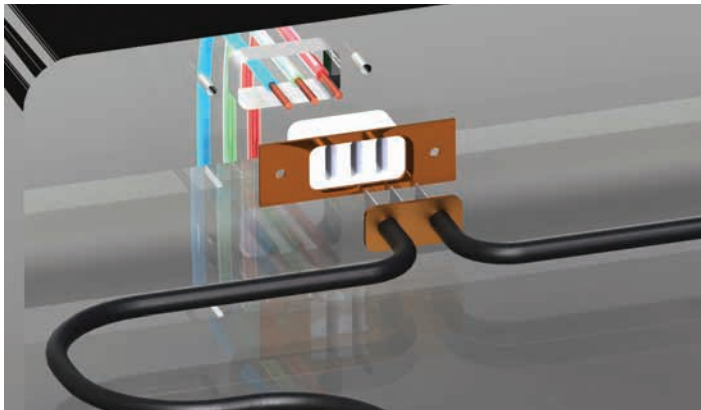
New FE-35

4 Universal Elements—Fitting Systems

Conventional Oven – Socket based elements

Almost all modern cooking appliances now employ direct wiring to their oven grill elements & radiant hot plate assemblies due to the obvious advantages in reliability & cost of components.

On this basis the patented bracket design of our Unifit element allows the easy pick up of the original socket assembly mounting points allowing the replacement of both the socket.

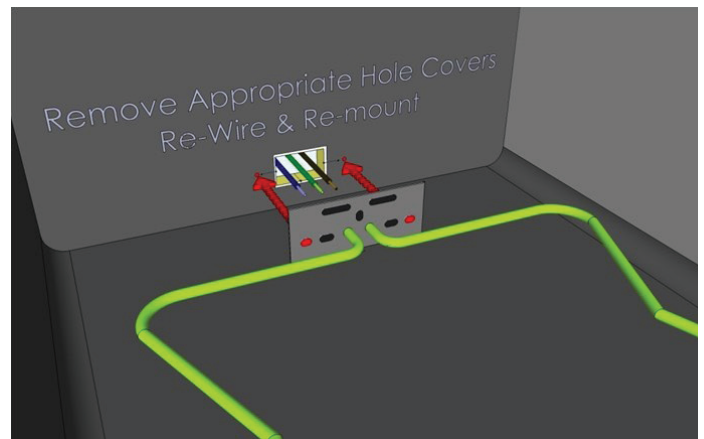


- Remove old element
- Determine wattage & remove appropriate mount hole covers on CO-01/2

- Re wire directly to element
- Re-Fit using old existing element holes

Conventional Oven – Direct replacement

- Remove old element
- Determine wattage & remove appropriate mount hole covers on CO-01/2
- Re wire directly to element
- Re-Fit using old existing element holes



Designs for flexible Fitting Options

FE-06 Bracket



The original fan oven Universal bracket allowing for rear or front mount, self tapping or threaded and 20 mm offset adjustment.

Flex Coupler



Patented and exclusive flex coupler adds bare wire termination as well as up, down and straight out double quick connect contacts

FE-16 Main Fan Oven Bracket



A compact bracket design based on the FE-06 mounting system with unique central hole fixing or probe capabilities while retaining common central earth.

Radial Mount Bracket



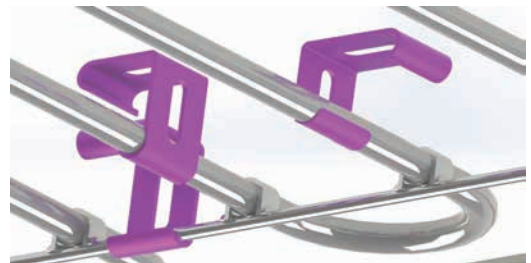
New radial bracket system extends the universal fan oven series flexibility offering pin location support as well as traditional screw fixing.

GRE Series Universal Grill Bracket



New design bracket for Universal Grill Element allows for with offset adjustment & central probe allowance.

GRE Hanging Bracket



New flexible fixing system for fitting universal grill element where mounting is incorporated into the original design. 15 or 25mm adjustable.

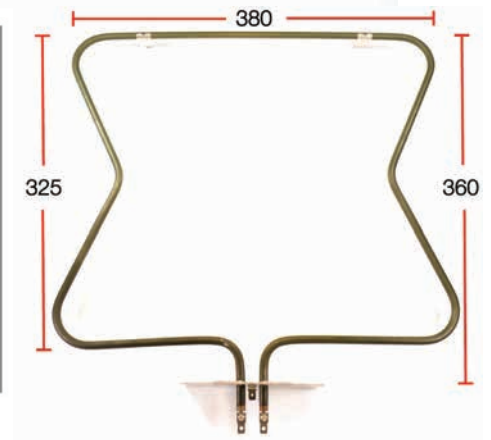
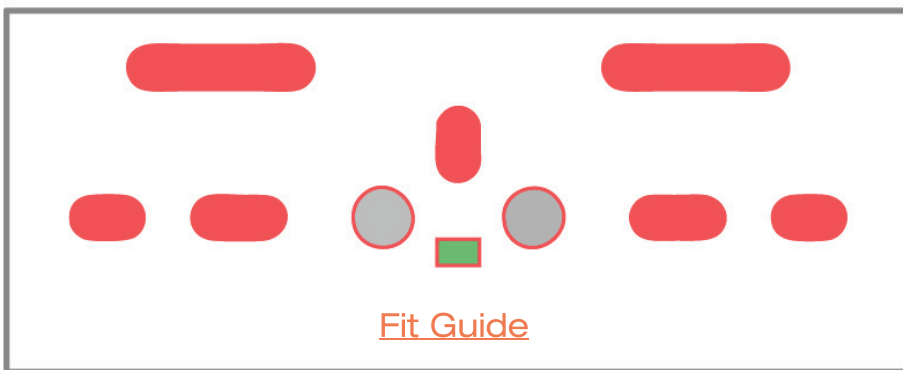
6 Conventional Elements

CO-01 & CO-02 Wilson Universal oven (Ver. 3)

Replacing over **100** element models, our original universal design leveraging over 30 years of service experience to make your stove repairs easier & more profitable.

- CO-01 2000W (Ver3 available 2011)
- CO-02 2400W (Ver3 available 2011)

See Conversion chart page 39-40 for full list of elements it supersedes.



The original Universal oven Element is now even better with Ver. 3 upgrades.

Disclaimer: Designed for technician installation. Only to be fitted by an authorised technician or electrician as minor rewiring required

CO—03 Late Model Electrolux Conventional Oven

CO-03 2200W

Replaces original
Part 1224495

Replaces VU83A000S

(Grimwood)

Replaces 10323

(Stokes)

Replacement element for Current & late model Chef, Simpson & Westinghouse, convectional ovens manufactured after 2002



CO—04 Westinghouse PAC/PAD series

CO-04 2200W

Replaces original 445055
 Replaces VF400000, VFO400(Grimwood)
 Replaces 2559(Stokes)

Replacement element for PAC & PAD Series
 Conventional Westinghouse ovens.



BEO-02 Concealed Bottom Element—Universal

BOE-02 1200W

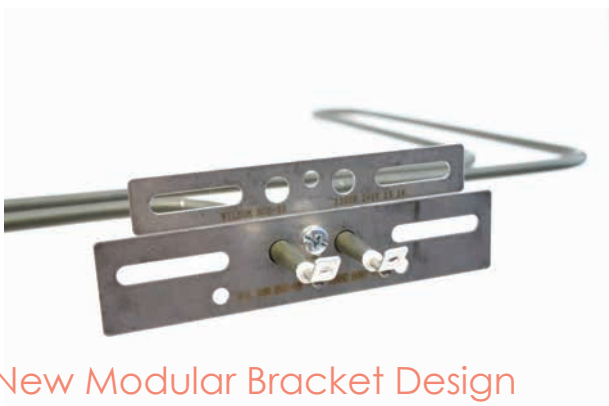
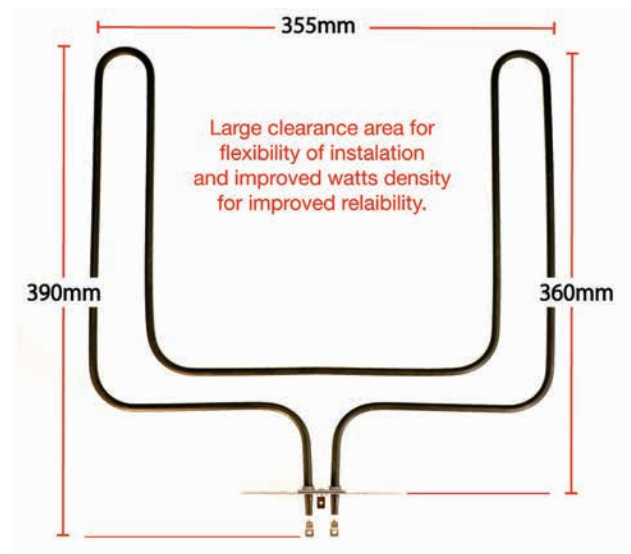
Replaces original

Replaces TBA

New Design for 2011

Using technologies developed for the Euro Universal range the new BOE-02 allows the service technician to have the right part on hand . A convenient, reliable & easy to fit alternative to sourcing concealed heating elements popular in today's modern European appliances

Flexi Connector



New Modular Bracket Design



New Design Floor Isolation Foot

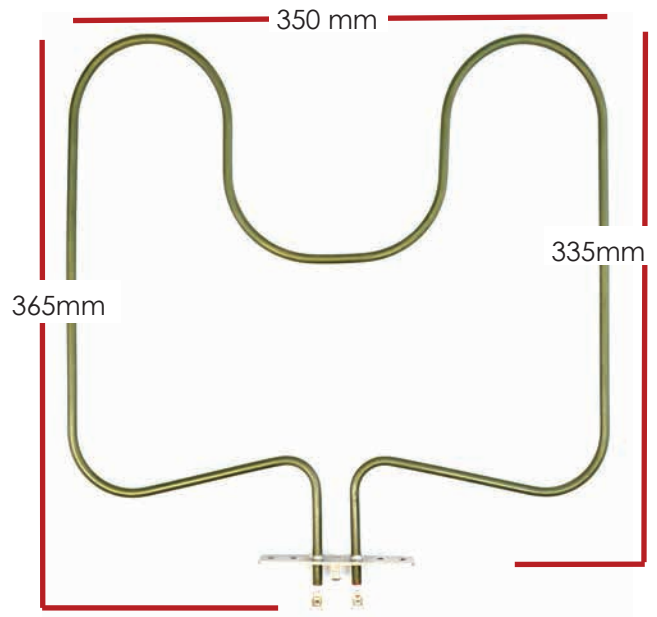
8 Conventional Elements

BOE-05 Lower Bake —Multi Fit (HAPL/IAG)

BOE-05 900W
Upgrades original 1170000142

BOE-06 1300W
Upgrades original 1170001134, 482290, 4023600
HAPL Tecknika, Smeg, Omega

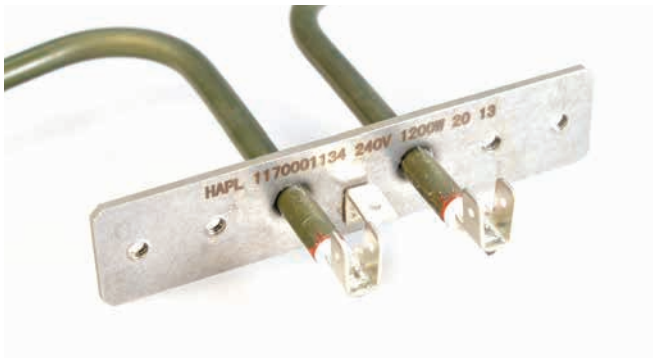
BOE-07 1600W
Upgrades original 524023600
Bompani Platinum



New Release for 2015

Originally developed for HAPL /IAG to be a common platform design for their concealed / lower bake elements. Offering improved design & durability over the original factory installed elements used in most euro style lower concealed elements.

Now available exclusively through Wilson Elements Distributors



New Basic Multi-fit Bracket Design
Includes New M4 Stainless Fixing Screws



New Design Floor Isolation Foot

BOE -05-7 Fit Guide

Red Denotes fixing /mounting area.
Grey - Element
Green - Earth



M4 Tapped Mount—Includes New Screw Set

10 Fan Oven

FE-02— Kleenmaid FF Oven Element

FE-02 2150W

Replaces 1224495 (Grimwood)

Replaces (CK006) (Stokes)

Replacement element for Kleenmaid and many other European Fan Forced oven sourced in Italy.



FE-05 Late Model Electrolux FF Oven Element

FE-05 2200W

Replaces original Part 1224506

Suits original Part NZ70178*

Replaces GA26A000/S (Grimwood)

Replaces 10318 (Stokes)

Replacement element for Current & late model Fan Forced Westinghouse Simpson & Chef ovens manufactured after 2002.



FE-06 & FE-07— Euro Universal FF Oven Element

FE-06 2200W Euro Fan Forced
 FE-07 2500W Euro Fan Forced

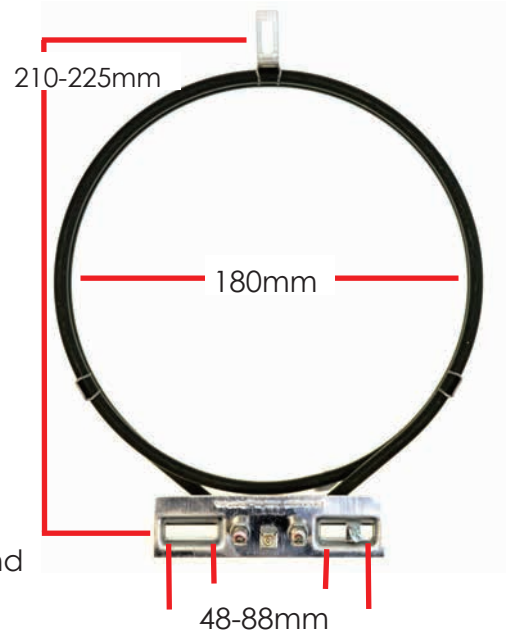
Oven Element to suit almost all the “short neck” models from Europe. Smeg, Blanco, AEG.

Suits—
 Stokes: 203174, 10402, 10420
 Grimwood: VG25B000, 203174, 806890217
 Smeg: 806890122

The Worlds Best selling universal element.

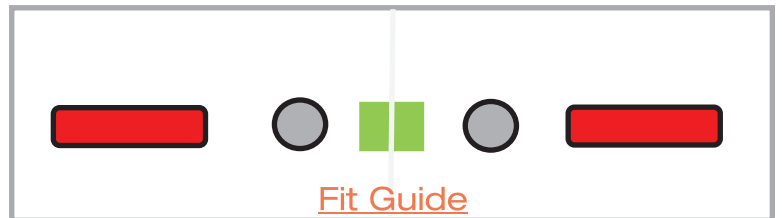


The original fan oven Universal bracket allowing for rear or front mount, self tapping or threaded and 20 mm offset adjustment.



FE-06,7, 13,14 Fit Guide

Red Denotes fixing /mounting area.



12 Fan Oven

FE-08 v3 ANZ Universal FF Oven Element

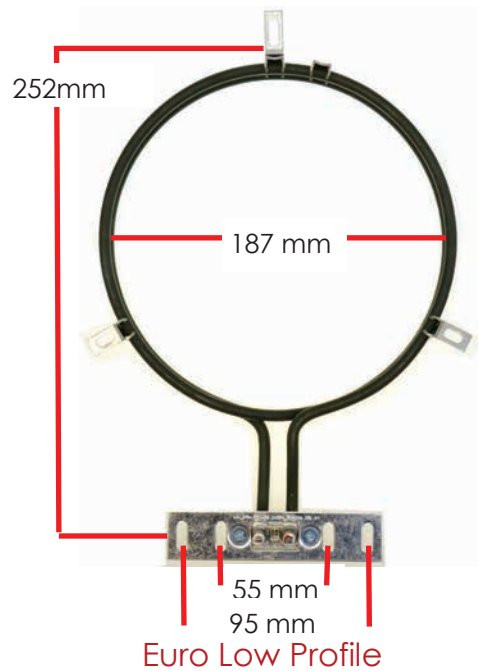
FE-08 2250W
(Supersedes FE-01)
Suits 1976 (Stoke & Grimwood)
Suits 542653P (F&P)
Suits 9666 (Stoke & Grimwood)

Now more flexible with v3 updates!

Replacement element for most late model Fan Forced chef ovens produced prior to 2002

Now updated UNIFIT Mounting plate now fits F&P & Technica & improved fit on many European models.

Important! When fitting ensure sufficient fan clearance is maintained for safe operation.



New Teknika Mount



F&P Mount



Chef Mount

FE-08 Fit Guide

Red—Fixing /mounting area.
Grey - Element
Green - Earth



Original Chef Mount



Compact Euro Mount



F&P Mount

FE-13 & 14 Long Neck Euro Universal FF Oven

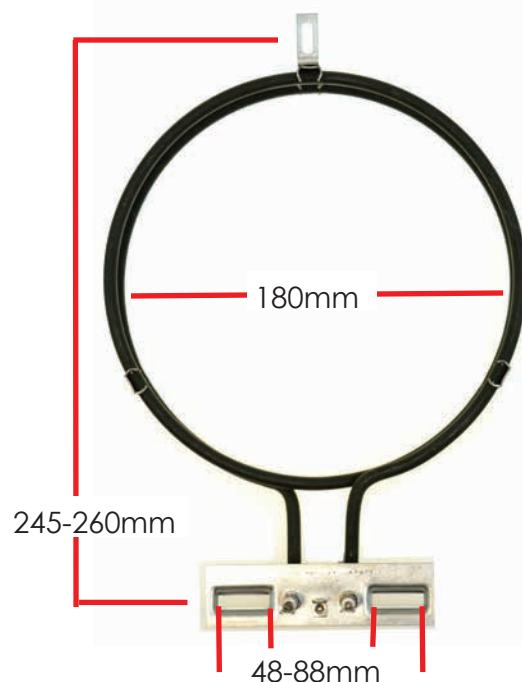
FE-13 2200W (2 Turn) Long Neck Euro
For Ilve, Kleenmaid
FE-14 2500W (3 Turn) Long Neck Euro
For Ilve, AEG

Oven Element to suit almost all the
"Long neck" models from Europe.
Ilve, Amelia Smeg, Blanco, Kleenmaid
AEG.

New Flexi Connector

Using the systems developed for the FE-06/7 mode
Our long neck series features the same fitting
systems to make installation easy.
Plus our new patent pending Flexible
wiring coupling allows easier &
safer electrical connections.

See FE-06 for bracket template Page 11



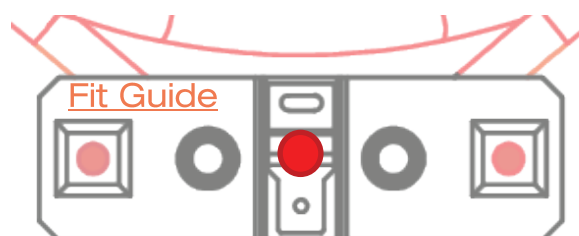
FE-16/17/18 Euro Universal FF Oven Element

FE-16 1800W 2 Turn New Euro Fan Oven Central hole
FE-17 2100W 2 Turn New Euro Fan Oven Central hole
FE-18 2500W 3 Turn New Euro Fan Oven Central hole

New Universal models for European based fan oven
elements with central bracket hole such as
SMEG, Whirlpool and others.

New Compact Bracket

Building on the systems developed for the FE-06/7
Our new compact bracket adds
central mounting/probe hole with a new
innovative earthing design whilst retaining the
same fitting system make installation easy.
Plus our new patent pending Flexible
wiring coupling allows easier &
safer electrical connections.



14 Fan Oven

FE-33 Turkish based Euromaid , Highlander

FE-33 2000w Turkish based fan oven

Featuring changeable radial bracket & flexible connector upgrades.

Highlander/ Euromaid, IAG, Baumatic, Hygenna

Replaces 0040900052, EU280, UEF54, KM544M1, UEF54, TCUF54



FE-34,35,36 195mm Universal Fan Oven Element

FE-34 1800W 2 Turn New Euro 195mm

Replaces 262900074

FE-35 2100W 2 Turn New Euro 195mm

Replaces 262900006, **Late model Electrolux**

FE-36 2500W 3 Turn New Euro 195mm

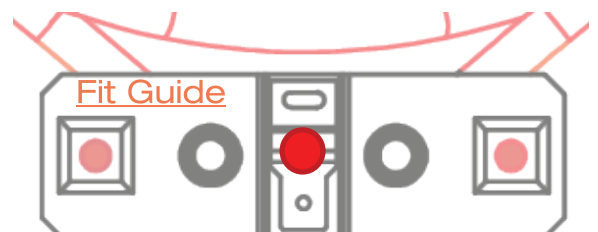
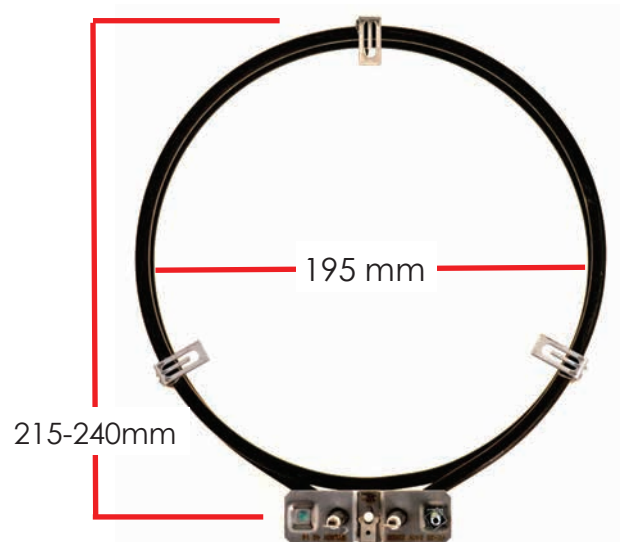
Replaces 26290063

Designed to integrate the universal design features from FE-16 series into new 195mm diameter fan elements and introduces new pin/screw radial mount bracket design.; Electrolux, HAPL, IAG

New For 2016



The new FE-35 series introduces the new radial bracket developed for pin location systems becoming more popular in modern oven elements.



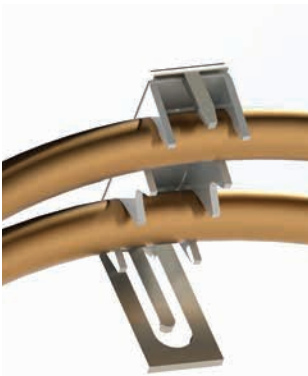
FE-37 150mm Fan Oven Element

FE-37 1600W 2 Turn 155mm

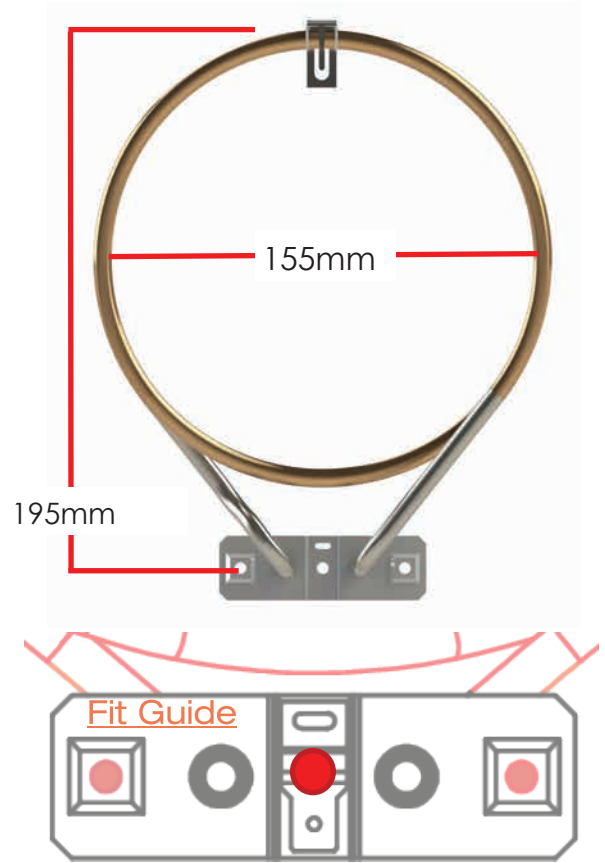
Replaces 262900067 262900065

Designed to integrate the universal design features from FE-16 series into new 155mm diameter fan element to suit Arcllic/ Beko based imports such as HAPL/IAG brands .

New For 2016



The new FE-37 series utilizes the new radial bracket developed for pin location systems becoming more popular in modern oven elements.



FE- 38 220mm Universal Fan Oven Element

FE-38 2.5Kw 2 Turn New Euro 220mm

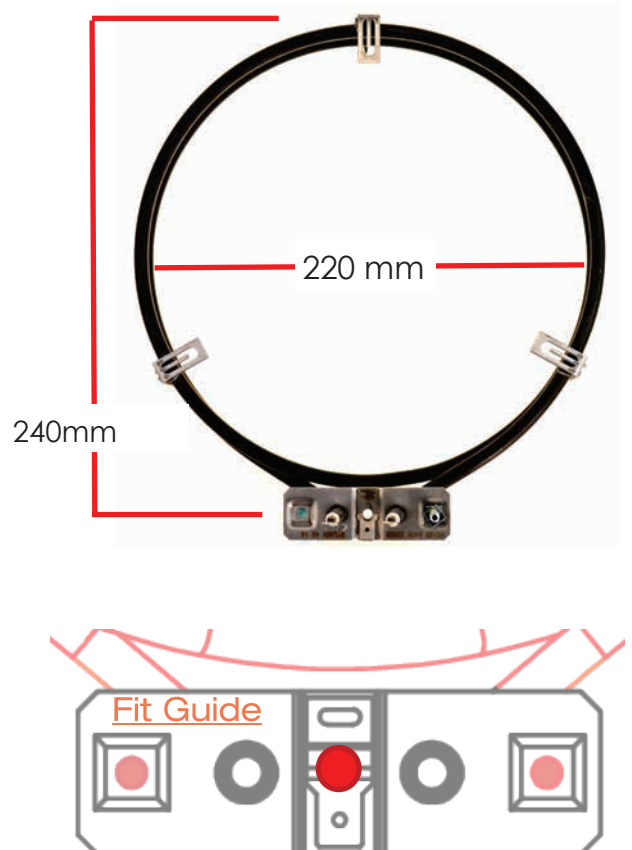
FE-39 2.9Kw 3 Turn New Euro 220mm

Designed to integrate the universal design features from FE-16 series into new 220mm diameter fan elements and introduces new pin/screw radial mount bracket design.;

New For 2016



The new FE-38 series introduces the new radial bracket developed for pin location systems becoming more popular in modern oven elements.



16 Grill Elements

GRE-03 Grill late Electrolux

GRE-03 2200W

REPLACES GRE-01

Replaces original Part 01224499/0122004498

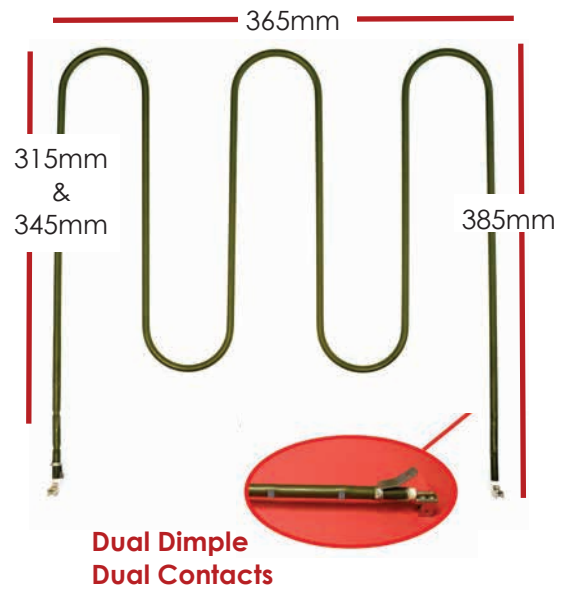
Replaces VU82G000/VU82C000 (Grimwood)

Replaces 10322 /010319 (Stokes)

Replacement griller element for current & late model Westinghouse Simpson & Chef ovens & stoves manufactured after 2002.

Improved design:

Dual Dimple allows for replacement of the 2 most common versions.



GRE-04 Grill/Boost late Electrolux

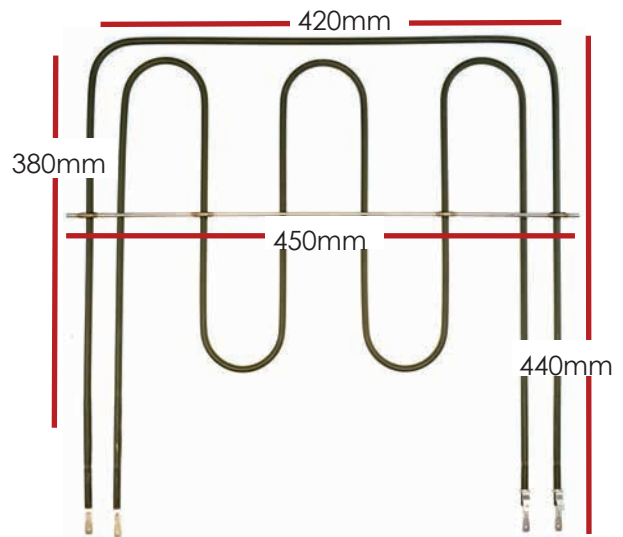
GRE-04 2200W+ 800W Boost

Replaces original Part 01224424

Replaces VU85A000/S (Grimwood)

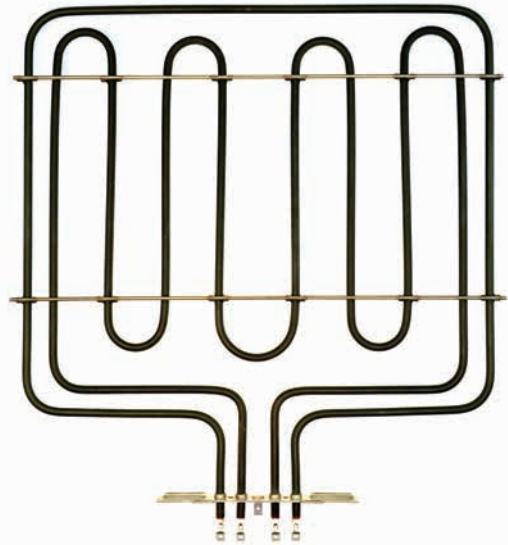
Replaces 10324 (Stokes)

Replacement griller element for current & late model Westinghouse Simpson & Chef ovens & stoves manufactured after 2002.



GRE- 06, 07, 08 Universal Euro Grill/Boost
 GRE- 16, 17, 18 Universal Euro Grill Only

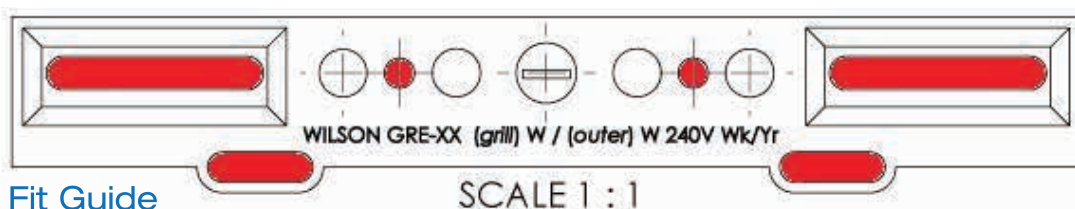
Part No.	Description	Grill Wattage	Outer
GRE-06	Grill Boost 2200W	1400W	800W
GRE-07	Grill Boost 2700W	1800W	900W
GRE-08	Grill Boost 3200W	2200W	1000W
GRE-16	Grill Only 1400W	1400W	N/A
GRE-17	Grill Only 1800W	1800W	N/A
GRE-18	Grill Only 2200W	2200W	N/A



Wilson Elements continues to expand its universal range of elements & service components with the release of our latest innovative service design. Suitable for a large range of European based grill & grill boost applications with central mounting.



Easy Mounting
 New design reversible hang support offers flexible mounting options - Fitting support bar or element with 25 & 15mm height/spread selection.



18 Commercial & Gas Cooking

GR-01 Gas Grill to suit Chef

GR-01

Replaces C6457 (Chef)

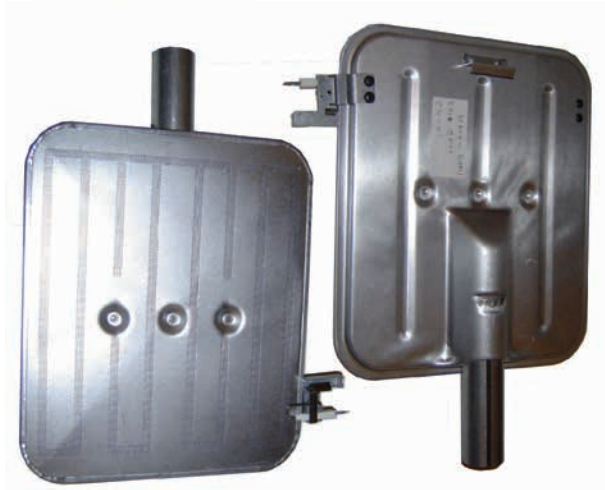
Replaces GC086

Suitable GC085 & GC084 (Stokes)

Highest quality gas grill element for Chef gas cookers at a fraction of the originals price. Includes igniter probe assembly.



Packaging designed for easy storage & sales



BM-01 & BM-02 Bain-Marie Elements

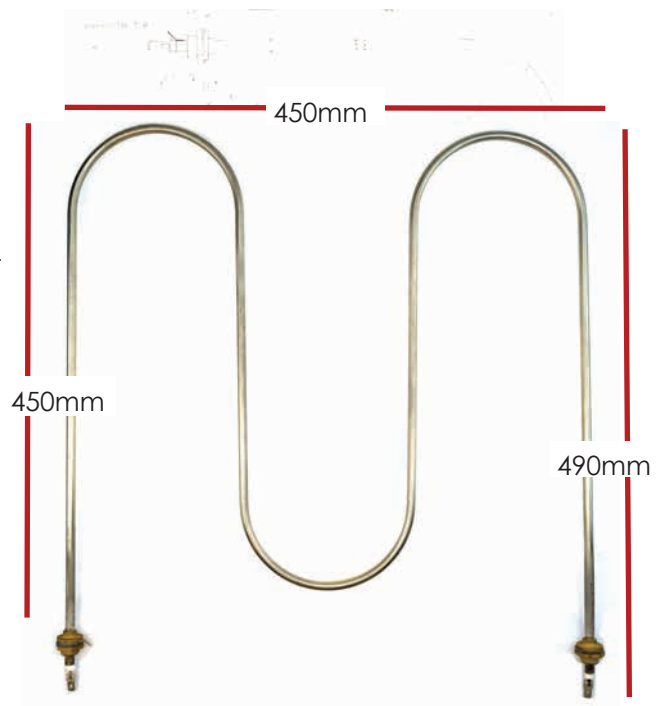
BM-01 (Special Order) 750W

BM-02 (Available) 1000W

Hi quality, Bright annealed Bain-Marie Elements with Braised bush mount flange. 6mm Quick Connect Termination. 316SS or Incoloy 800 (Special Order)



Braised Fittings



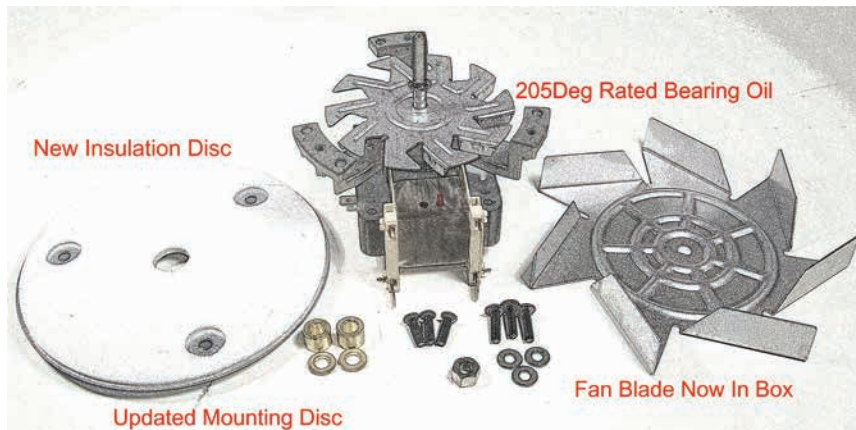
BM-02

OFM-01v3 Universal Oven Fan motor Ver.3

OFM-01Ver 3 Uni Oven Fan Motor 23W 1800rpm

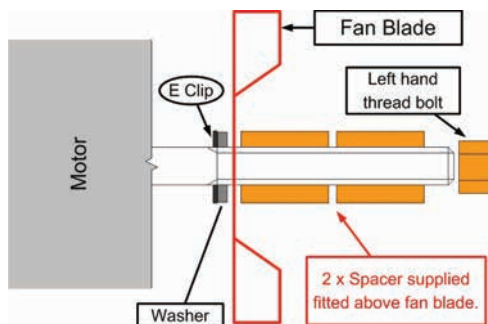
- Front/Rear Mounting Motor
- 3 Position Shaft (9,17 & 25mm)
- Fitting Kit & instructions
- Reflector Plate, Insulation Disk,
- Universal 7 Fin Fan Blade.

Suits most screw mount Australian & European fan motors Chef, Westinghouse, Simpson, Electrolux, Smeg, Ilve, Kleenmaid, Euromaid, IAG, Fisher & Paykel



Stokes: 9683
 Electrolux: 56158,
 0214777077
 EGO: EFC200158, EFC200157,
 EFC200153, EFC200166
 F&P 573300P ... plus many
 more!

Adapting Shaft Length



6mm (9mm to mount plate)

Replaces - Chef

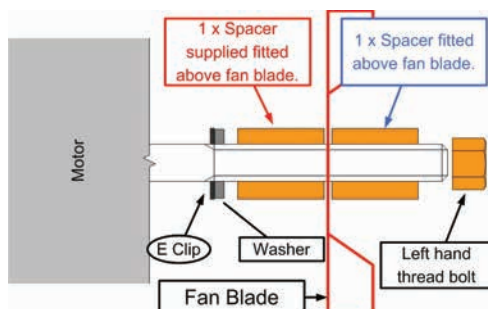
(6mm oven wall to blade)

Alt part No's- Stokes 9683,

Electrolux 56158,

Ego EFC200158, EFC200157

Instructions- Washer below fan blade then install 2 spacers then nut.



14mm (17mm to mount plate)

**Replaces - Westinghouse, late Chef
 Kleenmaid, StGeorge, Smeg**

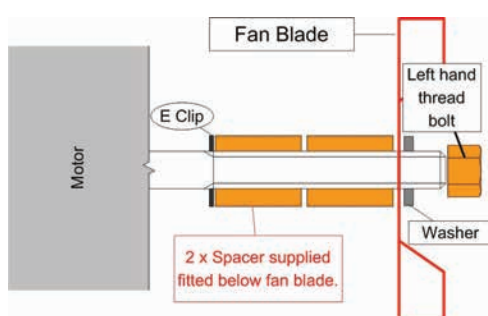
(Approx 14mm oven wall to blade)

Alt part No's- Stokes 9683,

Kleenmaid 3040401 Electrolux 0214777077

Ego EFC200153, StGeo. S50862

Instructions- install 1spacers below the blade then lock nut onto 1 spacer & washer



22mm (25mm to mount plate)

Suits Westinghouse StGeorge, F&P

(22mm oven wall to blade)

Alt part No's- Stokes ,

Fisher & Paykel 573300P

Ego EFC200166, Electrolux 445680

Instructions- install 2 spacers below the blade then lock nut onto washer

20 Hot plate Elements

HP-01 & HP-02 - Suits Westinghouse

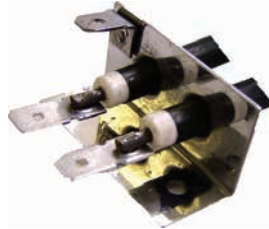
Replaces FV series Westinghouse elements in original style with clip on trim.

HP-01 1800W (180mm)
HP-01T (Includes Trim)
Suits FV11A000
Replaces 9525 (Stoke)

HP-02 1100W (150mm)
HP-02T (Includes Trim)
Suits FV10A000 (Grimwood)
Replaces 9523 (Stokes)



HP-01 Element Only



HP-02T Including Trim

Associated items:-

TR-01 - Chrome Trim to suit FV11A000(HP-01) series elements.

TR-02 - Chrome Trim to suit FV10A000(HP-02) series elements.

HP-03 & HP-04 - Suits Chef

Replaces late model standard chef radiant elements

HP-03 1100W 150mm
Replaces 3503-10 (Stoke & Grimwood)
Replaces XXXXX (Electrolux)

HP-04 1800W 180mm
Replaces 3501-10 (Stoke & Grimwood)
Replaces XXXXX (Electrolux)



Associated items:-

TR-03 - Chrome Trim & Socket to suit 3503-10(HP-03) series elements.

TR-04 - Chrome Trim & Socket to suit 3501-10(HP-04) series elements.

TR-05 - Chrome Trim & Socket to suit 3503-10(HP-03) series elements.

TR-06 - Chrome Trim & Socket to suit 3501-10(HP-04) series elements.

SO-02 - Socket Assembly to suit chef HP-03 /4 & TR-05/6

HP-05 & HP-06 - Suits Chef

Replaces older model chef plug in radiant elements used prior to HP-03 & 04 Series .

HP -05 1250W 6 1/4"
Suits FK710000 (Grimwood)
Replaces 1803-10 (.Stoke)



HP-05 Element



HP-06 2100W 8"
Suits FK720000 (Grimwood)
Replaces 1801-10 (Stokes)



HP-06 Element

Associated items:-

TR-07 - Chrome Trim & Socket to suit HP-05 (Sm) series elements.

TR-08 - Chrome Trim & Socket to suit HP-06 (Lg) series elements.

SO-01 - Socket Assembly to suit chef HP-07 & 08

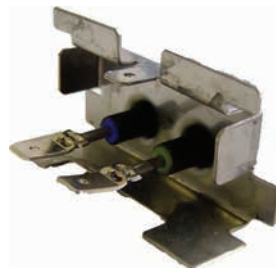
HP-019 - HP-020 To suit Electrolux

Replaces current series Electrolux Radiant hotplate.

HP -019 1250W (180mm)
HP -019T (Includes Trim)
Suits 0122004510 (Electrolux)
Replaces TBA (Grimwood)
Replaces TBA (Stoke)



HP-019 Element Only



HP-020 2000W (150mm)
HP -020T (Includes Trim)
Suits 0122004510 (Electrolux)
Replaces TBA (Grimwood)
Replaces TBA (Stoke)



HP-020 Element

Associated items:-

TR-13 - Chrome Trim to suit HP-019 series elements.

TR-14- Chrome Trim to suit HP-020 series elements.

22 Solid hot plates

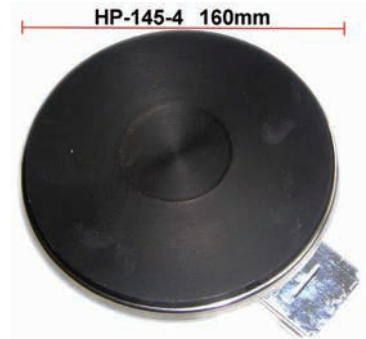
Solid Elements - High Quality & Budget Price

High quality solid element. Made to BSI & TUV standards approval & already exported to Germany, Italy & England.

*N.B These part numbers are rated at 1500W & 2000w respectively

HP-180-4 1500W (180mm)
Suits HRH 18.4* (Grimwood)
Suits 1889 * (Stokes)

HP-145-4 1000W 145mm
Replaces HRH1000 & Suits HRH 14.4*
(Grimwood)
Replaces 9615 & Suits 1888 (Stokes)

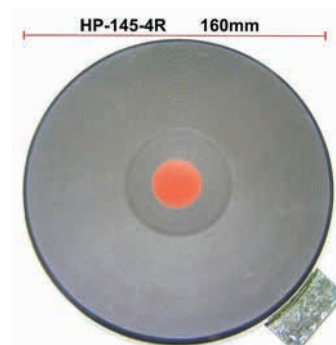


Solid Elements - RED SPOT - High Output

High quality solid element. Made to BSI & TUV standards approval & already exported to Germany, Italy & England.

HP-180-4R 2000W (180mm)
Replaces HRH 18.4 (Grimwood)
Suits 1889 (Stokes)

HP-145-4R 1500W 145mm
Replaces HRH 14.4 (Grimwood)
Replaces 1888 (Stokes)



Diamond H—Au40ER series Energy Regulator

Universal Infinite energy regulator for replacement market.

- Max continuous Load 13.5Amp
- Screw or Bush mount.
- 4 Position steel shaft (17mm to 32mm + 2mm if bush mount removed)
- Adaptor for 6.5mm, 1/4 & 1/8" shaft sizes.
- Rated to 125 Degree Celsius Ambient Temperature
- Comprehensive wire for wire conversion diagrams.

AU40ER -KV Single pole
Replaces Robertshaw 300
AU41ER-553 Single pole with Pilot
Replaces Robertshaw 500 series,
Versafix T3V
AU43ER -823 Double Pole with Pilot
Replaces Robertshaw 800 series,
AU45ER -323 Double Pole with Pilot
Replaces Robertshaw 300 series,
AU48 ER-Dual Circuit single pole

Also Available
AU-13BMA Extended Bush Mount adaptor
13mm (1/2 inch) threaded bush mount.



Also available to OEM specifications.
For details & conversion & See page 28

The Diamond H Advantage

Removable Bush-Mount for fitting to Australian & European appliances.

Adjustable 4 position (32-17mm) metal shaft.

Steel & T125 High temperature rated construction.

Fits 6mm, 1/4 & 1/8" shaft sizes

Easy to install with Comprehensive & easy to follow wire for wire Conversion charts.

Lower Cost & flexible design makes you more productive & profitable .

24 Control Knobs

UK- Series—Universal Cooker & Appliance Knobs

UK- Series Universal Cooker Knobs

Better than OEM grade finish at a fraction of the price.

Wilson Elements Developed & Design Award Winning service solution for Domestic or Commercial appliances.

Accommodating 3/16" 6 mm or 1/4" controls at launch with additional shaft sizes, finishes features being developed for future releases.

The Worlds Best Appliance Knob Solution.

In development for nearly 3 years Wilson Elements new Universal Knob Design has been awarded the prestigious Good Design Award .

Designed to not just replace broken old knobs our new system is designed to easily improve appliance appearance & function.

Features-

Ergonomic Design for easy operation -OAP Friendly
Designed in Australia with patented reversible adaptor.

5 Knob Sizes that can be mixed & matched

Superior materials & Real Metal Finishes.

Flush, 10 & 25mm Shaft lengths.

Gas Ignition Compatible with supplied collar

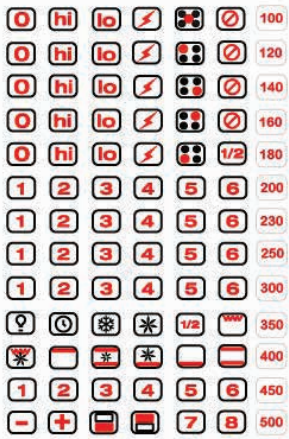
3/16" 6mm & 1/4" Shaft Sizes.

2 Sets of Contrasting Indicators

92 Piece Decal Set included to replace worn off symbols.



Decal Restoration Set & Scale



92 Piece Polycarbonate Decal Set and Temperature Scale. Replaces operation information or when worn off from or when old knobs had operation information.



Each Knob includes 5 adaptors, gas ignition collar & 2 indicators

Ordering

UK-48S4 — E.G. 48mm Stainless Steel 4 Pack

Knob Size

30
35
40
48
55
MM
(Disc Size)

Colour

R Red
B Black
W White
S Stainless
C Chrome

Pack Size

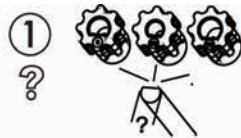
4 4 knob Kit Includes Decal set

1 1 Knob Top up pack

Installation

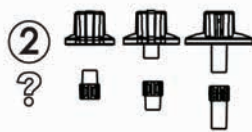
Step 1- Shaft size.

Test adaptor fit to select appropriate shaft size. Adaptors are marked with sizes.



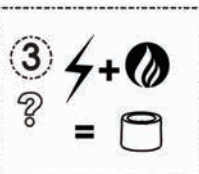
Step 2- Knob configuration.

Referring to old knob select adaptor knob configuration/insertion. Standard adaptor allows flush or 10mm proud install. Extended provides for 1" extension.



Step 3- Gas ignition collar.

Optional- Choose if gas ignition is required. (used in push to spark systems)

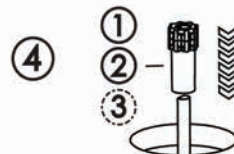


Step 6 - Indicator.

Install selected indicator colour. Indicator locates at bottom then top. Installation is permanent



Step 5- Align knob indicator slot to the off position then fit knob to adaptor by pressing knob down onto installed adaptor until positive stop is achieved.



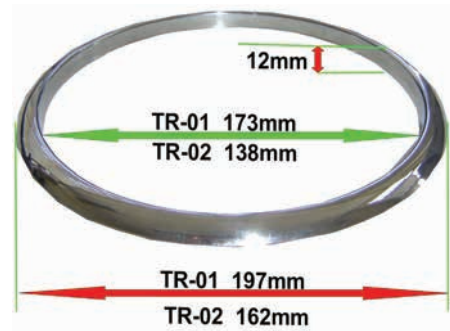
Step 4- Fit adaptor on shaft Using configuration selected from steps 1, 2 & 3 fit adaptor /collar to shaft of control device .

TR-01 & 02 Suits Westinghouse

TR-01
Suits FV11A000
Replaces 545-1-907
(Stokes & Grimwood)

TR-02
Suits FV10A000
Replaces 545-1-908
(Stokes & Grimwood)

High quality 430 Stainless steel trim rings designed for FV series Westinghouse elements.



TR-03 & 04 Trims To Suit Chef

TR-03 150mm
Replaces 3503-09
(Stoke & Grimwood)

TR-04 180mm
Replaces 3501-09
(Stoke & Grimwood)

High quality chrome plated trim rings & socket assembly suitable for late model chef elements

430 Stainless



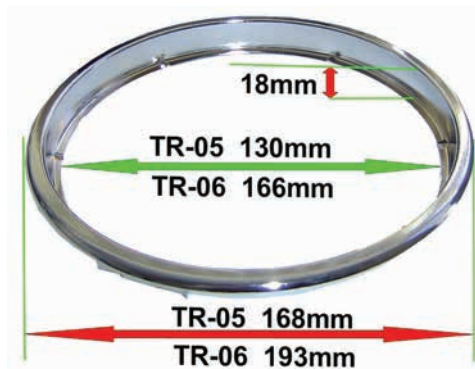
TR-05 & 06 Trims To Suit Chef

TR-05 suit 145mm
Replaces TBA (Grimwood)
Replaces 1888-06 (Stokes)

TR-06 suit 180mm
Replaces 1889-06 (Grimwood)
Replaces TBA (Stokes)

High quality chrome plated trim rings & socket assembly suitable for late model chef elements

430 Stainless



TR-07 & 08 Universal Trim

TR-07 suit 6' 1/4"
Replaces 2799 (Grimwood)
Replaces 1256-07 (Stokes)

TR-08 suit 8"
Replaces 2800 (Grimwood)
Replaces 1255-42 (Stokes)

Universal trim ring to suit most 8 & 6 1/4 Inch Style elements.

Made in high quality 430 stainless steel & Seamless manufacture!

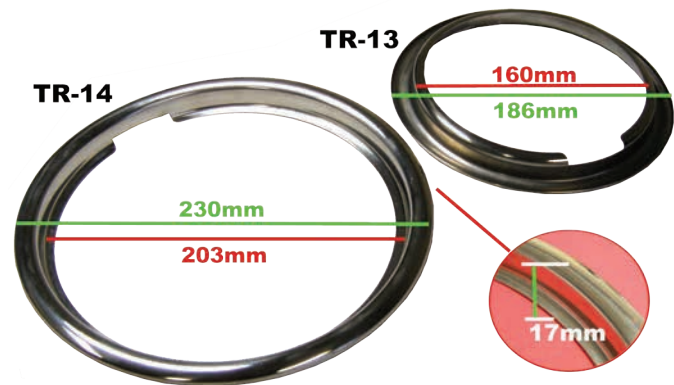


TR-013 & TR-14— Suit Late Chef, Simpson, Electrolux

TR-13 suit 6'1/4"
 Replaces 545-2-480 (Grimwood)
 Replaces TBA (Stokes)
 Suits 0545001824,0545002480 (Electrolux)

TR-14 suit 8"
 Replaces 545-2-481 (Grimwood)
 Replaces TBA (Stokes)
 Suits 0545001825,0545002481 (Electrolux)

Trim ring to suit late model Electrolux
 manufactured upright & elevated ranges
 featuring radiant elements



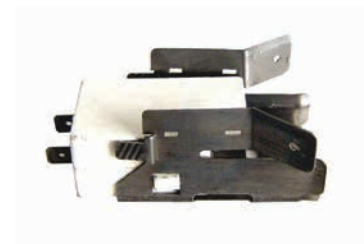
Made in high quality 430 Stainless Steel & Seamless manufacture!

Sockets

SO-01 Socket to suit Chef

SO-01
 Replaces 1804-20
 (Grimwood)
 Replaces 1804-20
 (Stokes)

Socket assembly for chef hotplates.



28 Drip Pans & Burner Caps

TR-01 & 02 Universal 8" & 6 1/4" Drip Pans

DP-01 Suits 8"
Replaces 266P3 (Grimwood)
Replaces 1090-05 (Stokes)
DP-02 Suits 6 1/4"
Replaces 265P3 (Grimwood)
Replaces 1091-05 (Stokes)

Universal drip pans to suit most
6 1/4" 8" element types.

Now fits St George



TR-03 & 04 Drip pan to suit Chef

DP-03
Suits 3501-09 (180mm)

DP-04
Suits 3503-09 (150mm)

High quality ceramic coated overflow pans,
designed to match late model Chef



DR-01 DR-03 Email (Simpson, Kelvinator, Westinghouse)

DR-01 1800W

DR-03 2100W

Replaces FN72C010 & Suits QT08Q0*
(Grimwood)

Replaces 3646 & Suits 2498* (Stokes)

Fits most late model Simpson, Westinghouse, Kelvinator & Malleys tumble dryers made in

Australia. *Wattages may vary slightly.

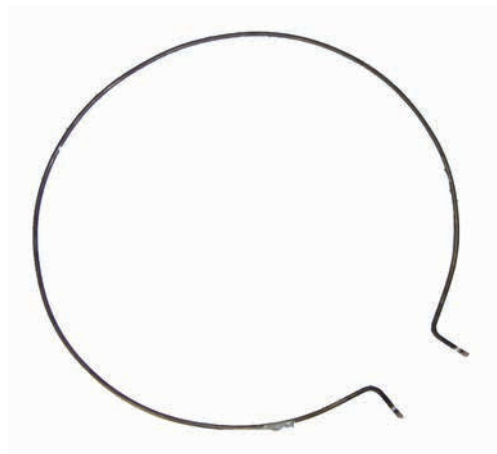
**DR-02 Elements - Suits Hoover, Admiral**

DR-02 1700W

Replaces VJ410006 (Grimwood)

Replaces 3576 (Stokes)

Fits almost all late model Hoover & Admiral dryers made in Australia.

Improved design for 2007

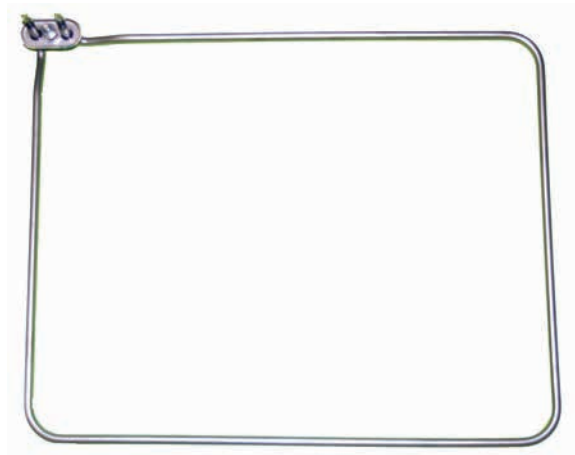
30 Appliance Elements– Dishwasher

DW-01 Dishwasher Element to suit Global Series

DW-01 1950w

Replaces C059008X (Electrolux)
Replaces ?? (Stokes)
Replaces ?? (Grimwood)

Replacement element for Dishlex global series
Dishwasher



DW-05 Dishwasher Element Haier Style

DW-05 1800W @ 240V

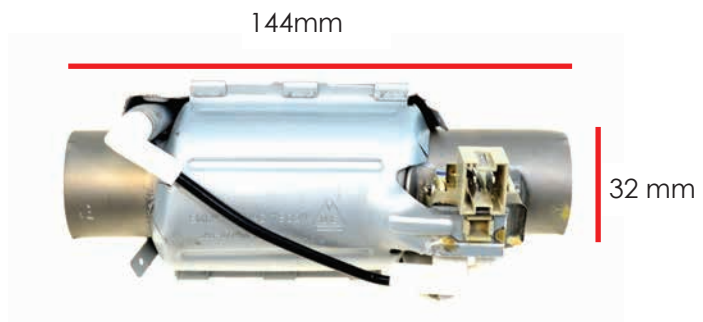
Replacement element for Haier based
Dishwasher



DW-06 Dishwasher In-line Flow element

DW-06 1800W

Replacement Inline flow elements
standard in many European based
Dishwashers such as Electrolux, AEG,
Bosch.
With thermal and over temp.

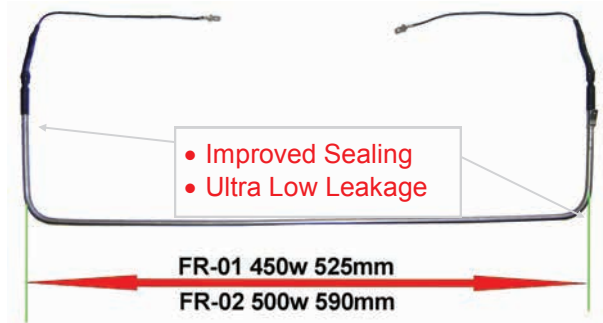


FR-01 & FR-02 Email (Simpson, Kelvinator)

FR-01 450w
 Replaces 1439802/s (Grimwood)
 Replaces TBA (Stokes)

FR-02 500w
 Replaces 1439803/S (Grimwood)
 Replaces TBA (Stokes)

Original design defrost element to suit Westinghouse & Kelvinator Frost Free Models. Reliable and easy to fit.



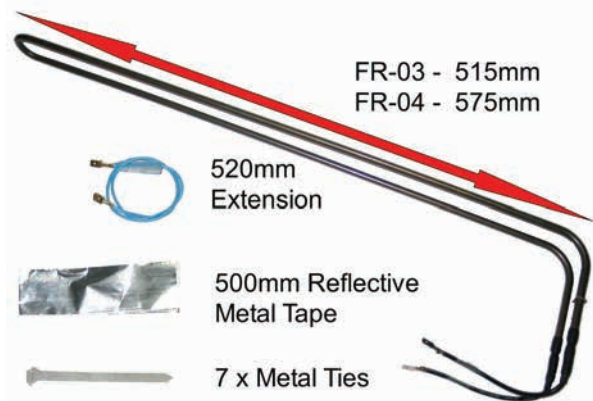
FR-03 & FR-04 Dual Pass Defrost for Email

FR-03 450w
 Replaces 1433140 (Electrolux)
 Replaces 10314 (Stokes)

FR-04 500w
 Replaces 1433141 (Electrolux)
 Replaces 10315 (Stokes)

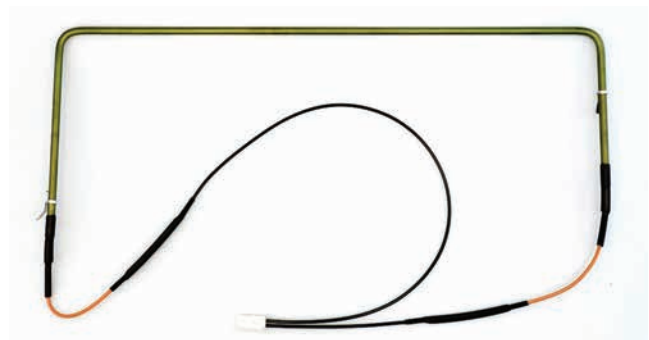
Although no recall has been issued, manufacturers service bulletin suggests the replacement of the single pass element (as above) with a double pass design, ostensibly to improve heat distribution.

New style Double pass defrost element to suit Electrolux manufactured FrostFree models. Includes items required for conversion from single pass style element as per manufacturers recommended procedures



FR-05 , 06, 07 F&P Defrost Kit.

FR-05 295w
 Replaces **818971P**
 FR-05 322w
 Replaces **818975P**
 FR-05 355w
 Replaces **818979P**



Original design defrost element kit to suit Fisher & Paykel Frost Free Models. Reliable and easy to fit.

32 Appliance Elements– Hot Water

Hot Water— Bolt on Sickle Duraloy, Incaloy & Copper

High Quality Replacement bolt-on domestic Mains pressure hot water service elements .
To suit soft & hard water areas.
Screw terminated leads for easier fitting.

Dur-alloytm – Soft & Mid Water

Increased durability in soft water markets & suitable for higher hardness mains supplies in regional cities. (Sydney, Canberra, Hobart, Melbourne, Brisbane, Adelaide, Perth)

HWDS-18	1.8Kw
HWDS-24	2.4Kw
HWDS-36	3.6Kw
HWDS-48	4.8KW

Copper- Soft Water

For use in soft water markets. (EG Sydney, Canberra, Melbourne & Hobart)

HWCS-18	1.8Kw
HWCS-24	2.4Kw
HWCS-36	3.6Kw
HWCS-48	4.8KW

Incaloy - Hard Water

For use in extreme water hardness conditions Bore water or Hard water towns supplies.

HWIS-18	1.8Kw
HWIS-24	2.4Kw
HWIS-36	3.6Kw
HWIS-48	4.8KW

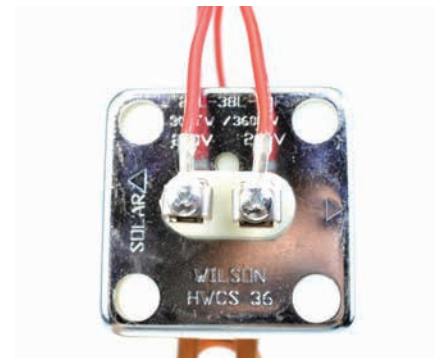
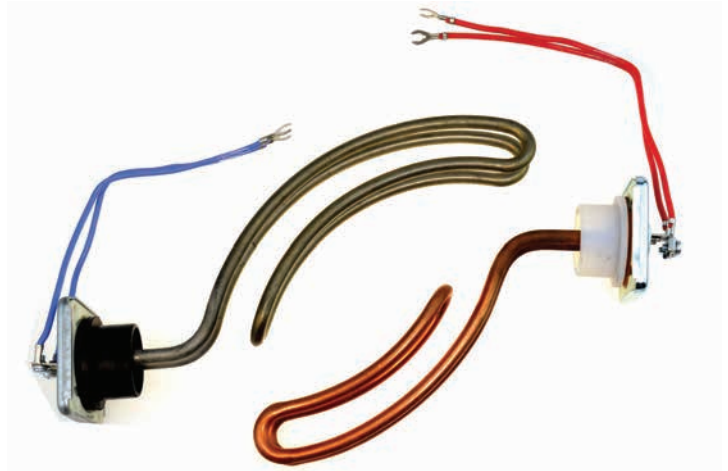
What is Dur-alloy?

Using specially processed High Grade stainless alloy the Duraloy elements approach incaloy corrosion resistance for roughly the same price as copper.

With the global demand for copper driving up prices Duraloy represents the new benchmark for value oriented Consumers.

Why Dur-alloy?

Dissolved minerals (such as salt , calcium & lime) in the water supply build up on an immersion heating element (often evident in a well used kettle as the scale that may come loose & end up in your coffee) and where concentrations are high , this will considerably shorten the life of the element. However because of their higher prices, hot water elements using Incaloy 800 & 825 Alloys though highly effective in extending element life in hard water areas are often not been used when the advantages are not immediately obvious or the customer is just looking for the cheapest price. Now **Dur-alloytm** elements give a better option at budget prices.



New right angle screw contacts.

Appliance Elements– Hot Water

Hotwater— Offset Copper

High Quality Replacement bolt-on domestic hot water service elements . To suit soft water areas. Screw terminated leads for easier fitting.

80 Litre & above tanks

HWE-01 3.6Kw

Replaces SS36S1 (Grimwood)

Replaces 3482XSN (Stokes)

HWE-02 4.8Kw

Replaces SS48S1 (Grimwood)

Replaces 3480XSN (Stokes)

HWE-03 2.4Kw

HWE - 01, 02, 03

**Less than 80Litre Capacity**

HWES-03 2.4KW Avail 2009

HWES-03, 04

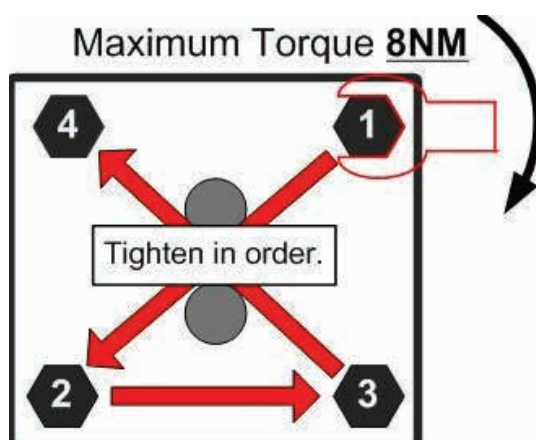


Suits most Australian made electric hot water systems.

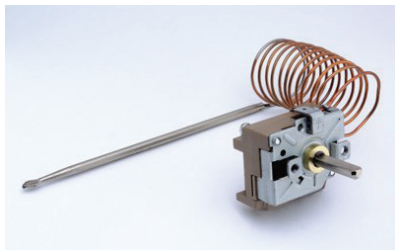
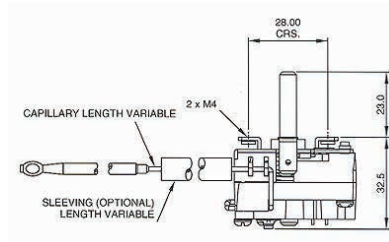
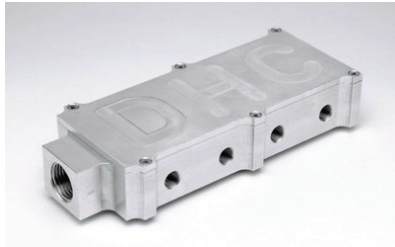
Note: Not suitable for use in hard water area

Technical Notes

Copper or Incaloy? All water has a certain level of dissolved minerals present at the point at which it reaches your taps. Where these concentrations are low the water is said to *SOFT* where they are high the water is said to be *HARD*. **Soft water** areas are best suited to Copper based hot water elements as they give the best compromise between price & lifespan. In **Hard water** areas it is recommended to use incaloy based elements as they offer far greater resistance to the corrosive effects of hard water supplies.



Warning: Tightening bolts more than **8NM** will cause seal to leak. Tighten bolts in order indicated.



Wilson Elements is pleased to announce the introduction of the Diamond H range of High Quality Energy regulators, Thermostats & Gas Control especially designed for the Australian service market. Established in the UK for over 80 years Diamond H has developed a reputation of technical leadership in gas & electric controls for domestic as well as commercial cooking appliances.

Manufacturing to ISO9001/2000 at facilities in England and China, with a well earned reputation for quality & reliability developed over many years, Diamond H produces controls to all international approval standards and services appliance manufacturers world wide including such leading brands such as Electrolux, Technowind & Smeg.

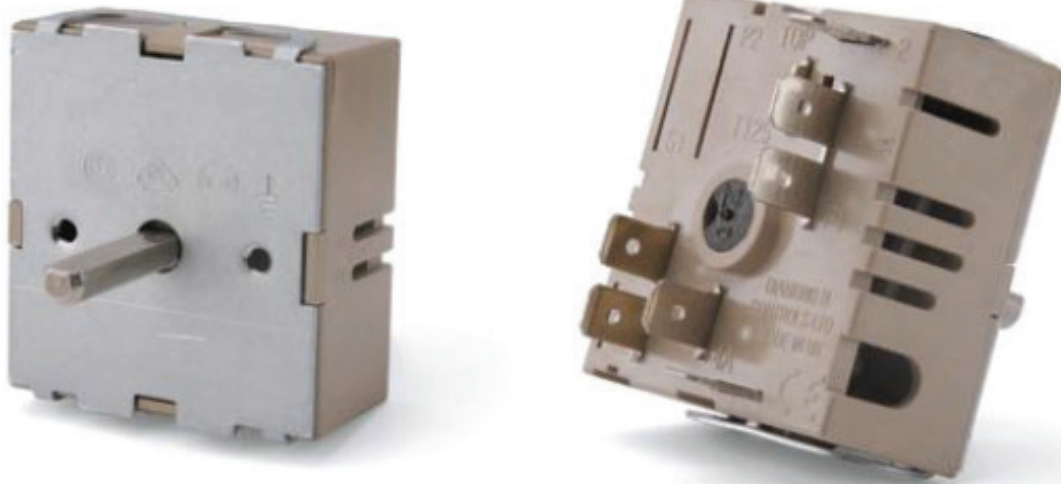
The choice in controls you've been waiting for!

40ER Series Energy Regulators

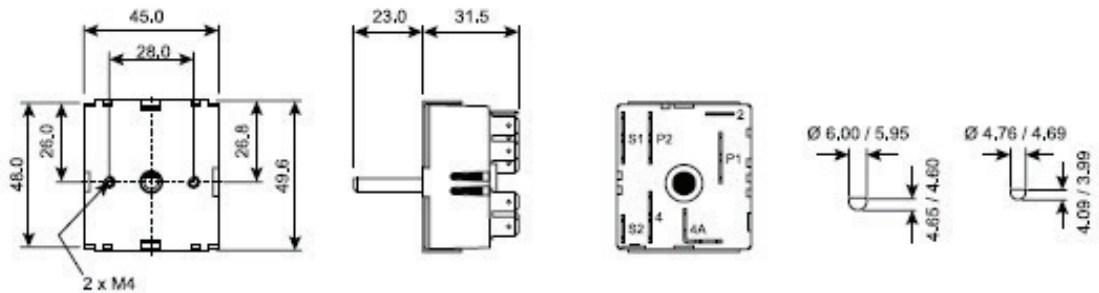


The 40ER Series low profile energy regulators have been designed to meet the demands of modern cooking appliances where control compartment space is limited.

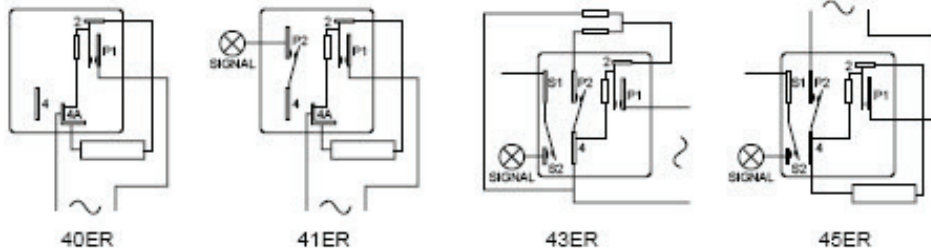
These energy regulators are manufactured to a high performance specification with an ambient temperature rating of 125°C

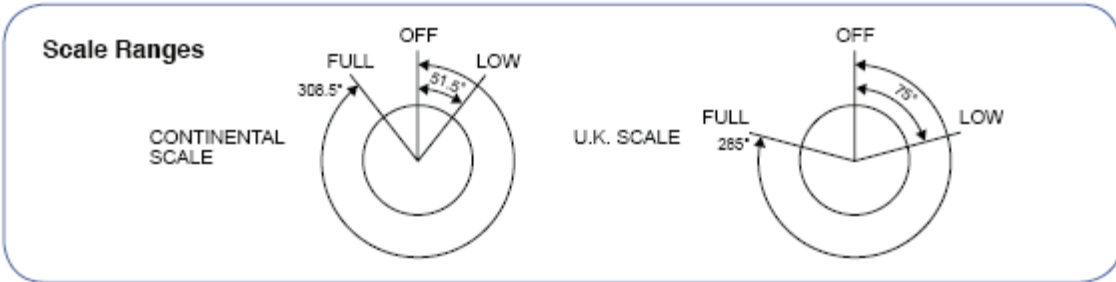


Dimensions



Wiring Diagrams





SPECIFICATION

Types

- 40ER Single pole
- 41ER Single pole with signal contacts
- 42ER Dual circuit single pole
- 43ER Dual circuit single pole with signal contacts
- 44ER Double pole
- 45ER Double pole with signal contacts
- 47ER Dual circuit latched double pole with signal contacts
- 48ER Dual circuit single pole with up-rated signal contacts
- 49ER Single pole with up-rated signal contacts

Rating

Thermal Contacts P1-2	13.5A 240V AC max - resistive 7A 400V AC max - resistive Tungsten Halogen (ballast load) 1960W 240V AC max
Signal Contacts P2-4	
E41ER types	0.1A 400V AC max - resistive
49ER types	1A 400V AC 0.35pF
Signal Contacts S1-S2	
45ER types	30.1A 400V AC max - resistive
48ER types	1A 250V AC 0.35pF

Performance Characteristics

UK Scale	Operating range	75° to 285° ↻ Clockwise
	Output	6 ± 3% at 75° ↻ 70 ± 15% at 260° ↻ 100% at 285° ↻
Continental Scale	Operating range	51.5°-308.5° ↻ Clockwise
	Output	6 ± 3% at 51.5° ↻ 60 + 20% - 8% at 258° ↻ 100% at 308.5° ↻
Dual Circuit Scale	Operating range	35°-154° Clockwise & Anticlockwise
	Output	7 ± 4% at 35° ↻ 70 ± 15% at 125° ↻ 100% at 154° ↻
Dual Circuit Latched Double pole scale	Operating range	51.5°-308.5° ↻ Clockwise
	Output	6 ± 3% at 51.5° ↻ 60 + 20% - 8% at 258° ↻ 100% at 308.5° ↻

Other Features

Temperature Rating	125°C max continuous rating Controls are ambient compensated
Terminations	6.3mm push-on type
Indexing	OFF position & FULL ON position
Spindle	6.0mm or 4.73mm diameter single D section
Plastic Spindle	Available on request
Mounting	Two screw fixing - 2 x M4 screws at 28mm centres - max screw insertion 5mm
Push to turn	Available on request
Approvals	EN 60 730-2-1 & EN 60 730-2-11

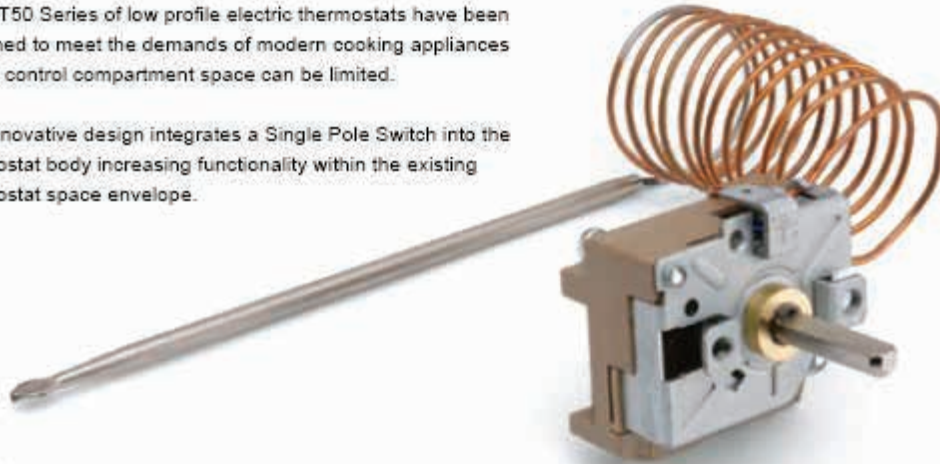
40ER Series Energy Regulators
Dimensions and specifications subject to change without notice.

ET5* Series Electric Thermostats



The ET50 Series of low profile electric thermostats have been designed to meet the demands of modern cooking appliances where control compartment space can be limited.

The innovative design integrates a Single Pole Switch into the thermostat body increasing functionality within the existing thermostat space envelope.



Types

- ET50 Single Pole Thermostat
- ET51 Single Pole Thermostat + Integral Single Pole Switch
- ET52 Single Pole Thermostat + Single Module Front Switch
- ET53 Single Pole Thermostat + Double Module Front Switch
- ET54 Single Pole Thermostat + Integral Single Pole Switch + Single Module Front Switch
- ET58 Single Pole Thermostat + Integral Single Pole Switch + Double Module Front Switch

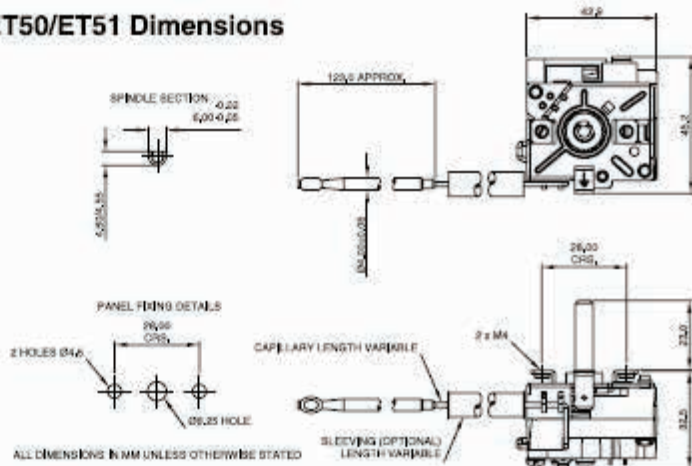
NB. Thermal contacts break on temperature rise.

ET50/ET51 Dimensions

The ET50 & ET51 versions share the same height, width & depth profile.

The ET51 allows the customer to operate an oven fan &/or pilot light within the same size constraints as the basic ET50 thermostat.

ET50/ET51 Dimensions



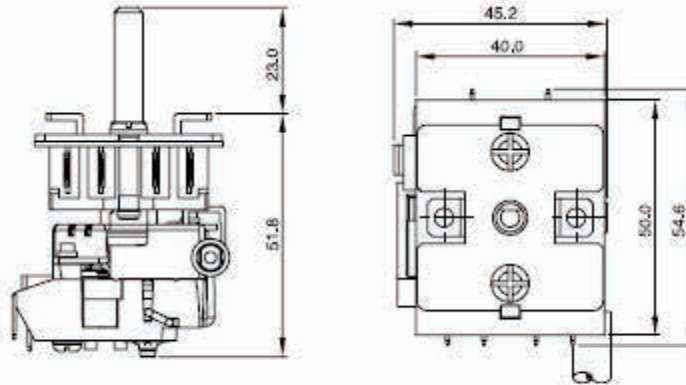
ET5* Series Electric Thermostats

Specification for ET5* Series
Rating

Thermal Contacts A-B	24-240V AC, 50Hz, 16A resistive
Signal Contacts A-C	24-240V AC, 50Hz, 1A, 0.35pf inductive
Auxiliary Switch	24-240V AC, 50Hz, 13A resistive
Temperature Rating	T125°C
Terminations	6.3 x 0.8 push-on type
Spindle Rotation	6.0mm diameter single D Section Fully rotational or restricted movement from 0° to 310°
Mounting	Two screw fixing 2 x M4 screws at 26mm centres 5.5mm max. screw insertion
Scale Rates	Thermal scale is designed to meet customer requirements
Approvals	Complies with EN 60 730-2-1 & EN 60 730-2-9

**ET52/ET54
Dimensions**

The ET52, ET53, ET54 & ET58 versions incorporate auxiliary switch module(s) for use with grill/oven combinations.

ET52 Dimensions


ALL DIMENSIONS IN MM UNLESS OTHERWISE STATED
PHIAL, CAPILLARY, MOUNTING DETAILS AS PER ET50/ET51

ET5* Series Electric Thermostats
Dimensions and specifications subject to change without notice.

Au4XER

Uni-Service Kit Instructions

1. Bush or Screw Mount fit.

If replacing a screw mount control, Remove the two screws on the bush mount plate and remove plate to expose mount holes.

2. Select Shaft length.

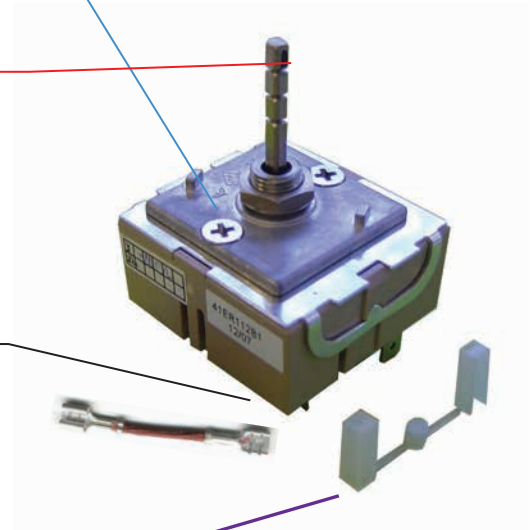
Using one set of pliers hold the shaft between the desired break off point and control body. Using a second pair of pliers break off desired portion of the shaft to obtain appropriate length.

3. Re wire & install.

Using the above wiring diagram to ensure operational wiring. ***IMPORTANT if using conversion guides see note below.**

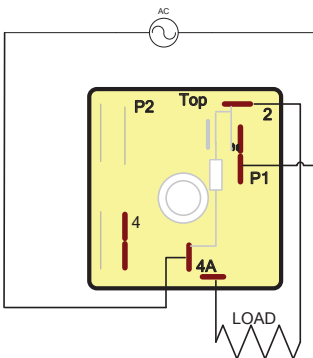
4. Choose Shaft Adaptor.

3/16" - No Adaptor
6mm - U section
1/4" - Square section

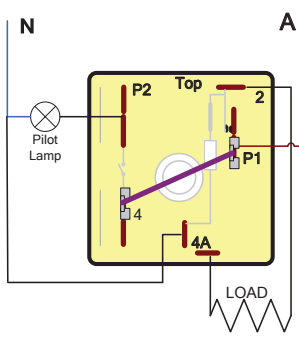


Au4XER

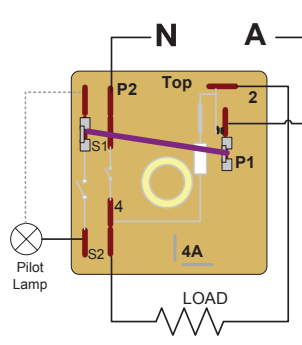
Uni-Service Kit Wiring Diagrams



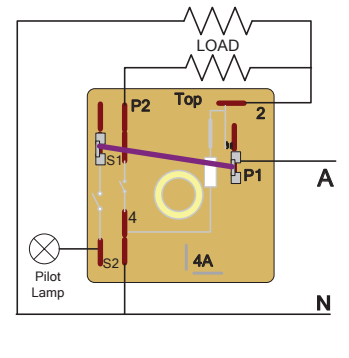
AU40ER Single Circuit



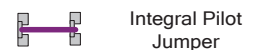
AU41ER Single Circuit With Pilot



AU45ER Dual Pole With Pilot



AU43/8ER Dual Circuit With Pilot



Conversion Guides

IMPORTANT! Although all care is taken to ensure the accuracy of the information contained below, no responsibility is taken or implied as control design, model to model changes & post sale services may have altered how an appliance is wired & therefore cannot be accounted for in the following Conversion Guides. Conversion guides are for basic reference only & care should be taken to ensure that wiring is correct for each application.

Note: Arrow colours are used for clarity & is not representative

Au40ER

Single Pole

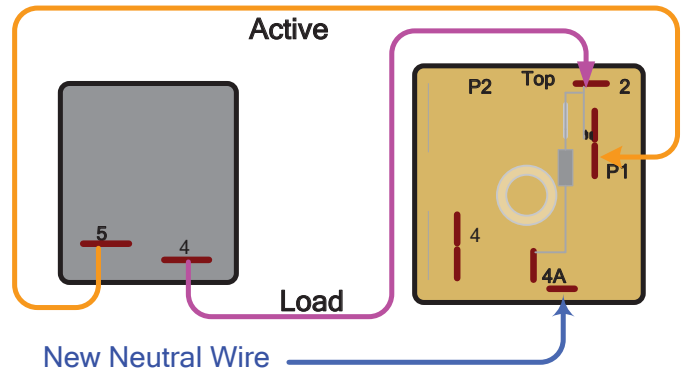
Australian Controls KV Series

Also

1. Common in many Early Model Metters, Hotpoint, Breamar, Roden & Whirlpool appliances.

2. **New Neutral to be supplied to Diamond H Control.**

3. Ensure that lead from terminal 5 (KV) is active.



Au41ER

Single Pole with Pilot

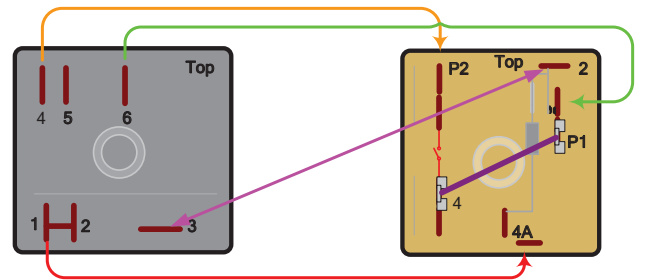
Robertshaw 55X-XX Series Integral Pilot Neutral

Also

1. Common in many Australian made & serviced appliances.

2. Confirm that Diamond H ER41 has contacts P1 & 4 bridged with supplied Jumper.

3. Not suitable for illuminated shaft.



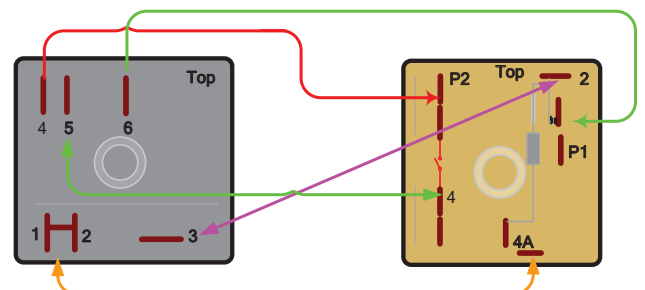
Robertshaw 58X-XX Series Isolated Pilot

Also

1. Common in many Australian made & serviced appliances.

2. Confirm that Diamond H ER41 has Supplied jumper removed bridged with supplied Jumper.

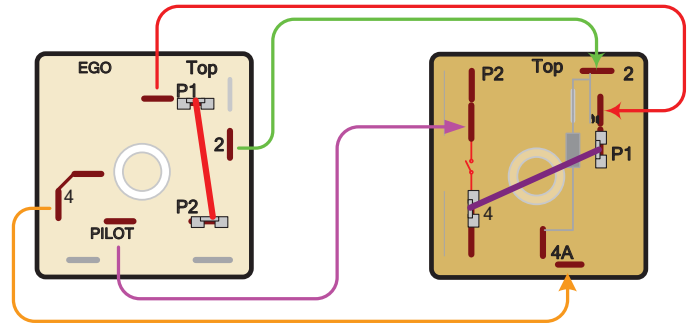
3. Not suitable for illuminated shaft.



Notes For EGO 50-56078-007 Standing Pilot

Also 7405

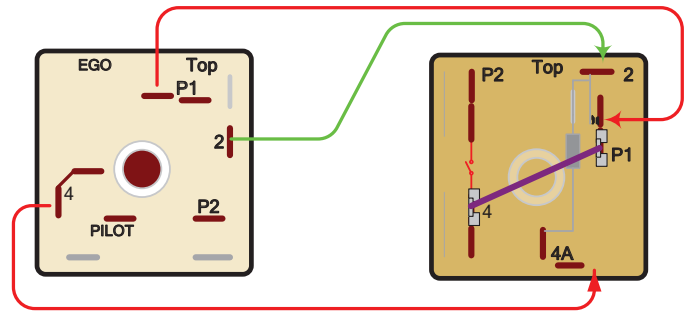
More common than cycling pilot & as used in most Australian made appliances. Confirm that Diamond H ER41 has contacts P1 & 4 bridged with supplied Jumper.



Notes For EGO 50-56078-007 Cycling Pilot

Also 7405

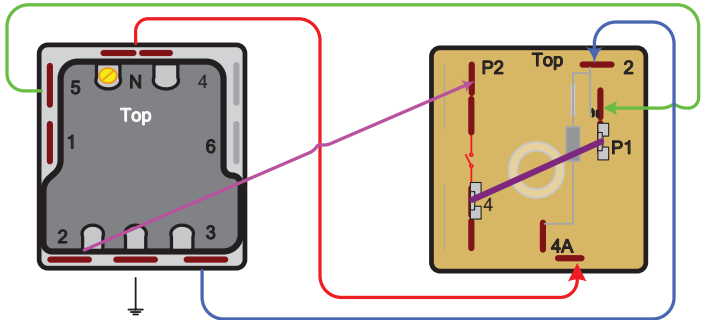
Less common than standing pilot & as used in most some European made appliances. Confirm that Diamond H ER41 has contacts P1 & 4 bridged with supplied Jumper. May require removal of Bush Mount for screw mount installation.



Notes For Versa Fix T3V-700

Also

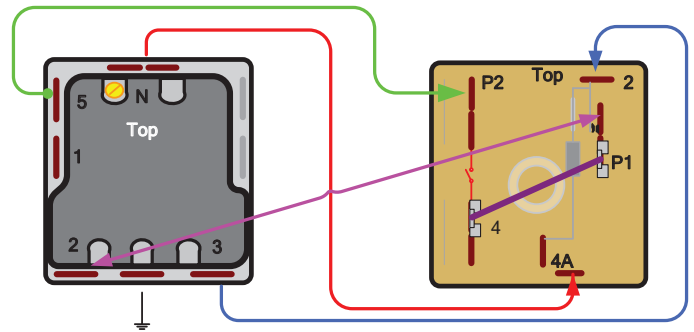
Common in many Australian made & serviced appliances. Confirm that Diamond H ER41 has contacts P1 & 4 bridged with supplied Jumper. If the replaced control has an earth connection, ensure the control panel is earthed.



Notes For NZC "TS" series

Also

Common in many Australian made & serviced appliances. Confirm that Diamond H ER41 has contacts P1 & 4 bridged with supplied Jumper. If the replaced control has an earth connection, ensure the control panel is earthed.

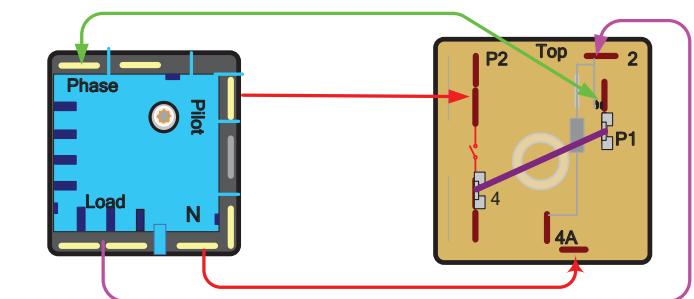


Invensys MP Series -

Also , MP104, T3V700
Used mainly as service item.

1. IMPORTANT! Ensure sufficient clearance is available in control enclosure.

2. Confirm that Diamond H control has contacts P1 & 4 bridged with supplied jumper.
3. 3. Take care to chose correct variant.

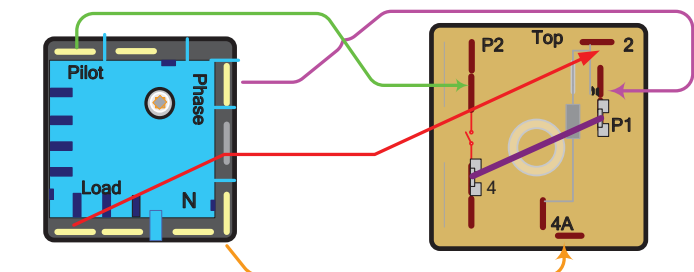


Invensys M3V-700 Series -

Used many in most late model Australian made Electrolux appliances.

1. IMPORTANT! Ensure sufficient clearance is available in control enclosure.

2. Confirm that Diamond H control has contacts P1 & 4 bridged with supplied jumper.
3. Take care to chose correct variant.

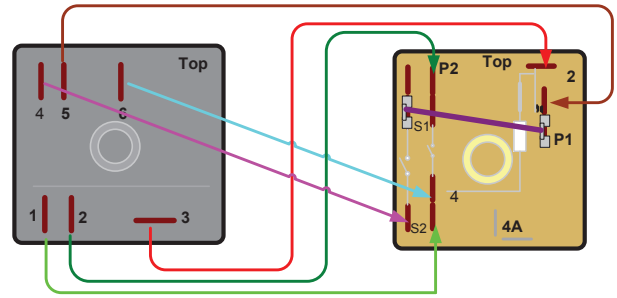


Au43ER

Dual Circuit with pilot

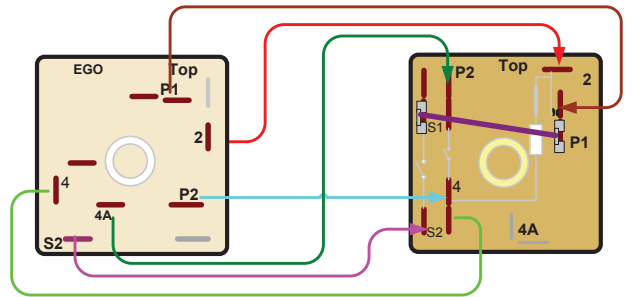
Robertshaw 8XX-XX Series Integral Pilot Neu-

- tral** Common in many Australian made & serviced appliances.
 2. Confirm that Diamond H ER43 has contacts P1 & 4 bridged with supplied Jumper.
 3. Not suitable for illuminated shaft.



Notes For EGO 50-55073-010 Standing Pilot

- Used in applications where the elements neutral is supplied from the regulator or "switch"
 Confirm that Diamond H ER43 has contacts P1 & 4 bridged with supplied Jumper.

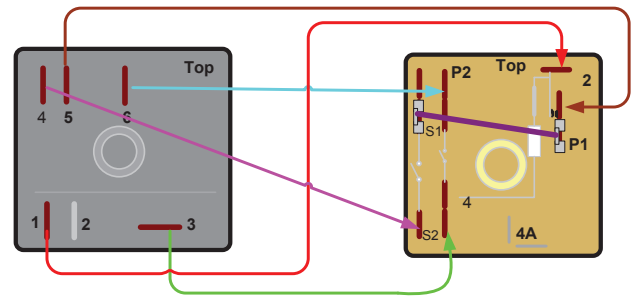


Au45ER

Dual Pole with Pilot

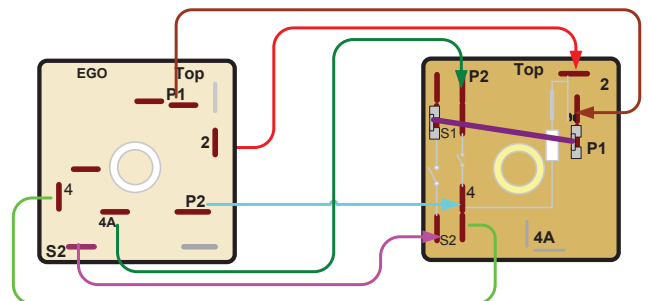
Robertshaw 3XX-XX Series Integral Pilot

- Common in many Australian made & serviced appliances.
 2. Confirm that Diamond H ER45 has contacts P1 & 4 bridged with supplied Jumper.
 3. Not suitable for illuminated shaft.



Notes For EGO 50-55073-002/3

- Used in applications where the elements neutral is supplied from the regulator or "switch"
 Confirm that Diamond H ER45 has contacts P1 & 4 bridged with supplied Jumper.



Note: Arrow colours are used for clarity & may not be representative of wiring colours used.

Stokes to Wilson Conversion

STOKES	Wilson	Description	STOKES	Wilson	Description
1087	CO-01	Davell 2100Watt Convection Oven	2426	CO-02	Malleys 2500Watt Convection Oven
1087	CO-01	Simpson 2100Watt Convection Oven	2427	CO-01	Malleys 2500Watt Convection Oven
1087	CO-01	Westinghouse 2100Watt Convection Oven	2427	CO-02	Malleys 2400Watt Convection Oven
1088	CO-02	Simpson 2600Watt Convection Oven	2436	CO-01	Davell 1850Watt Convection Oven
1089	CO-01	Simpson 2250Watt Convection Oven	2437	CO-01	Davell 2200Watt Convection Oven
1131	CO-01	Chef 2200Watt Convection Oven	2466	CO-01	Frigidaire 1900Watt Convection Oven
1140	CO-01	Chef 2000Watt Convection Oven	2478	CO-01	Davell 2200Watt Convection Oven
1142	CO-02	Chef 3000Watt Convection Oven	2497	CO-02	St George 2325Watt Convection Oven
1152	CO-02	Simpson 2750Watt Convection Oven	2545	CO-01	Metters 2200Watt Convection Oven
1153	CO-02	Simpson 2500Watt Convection Oven	3576	DR-02	1700w Hoover Dryer Element
1202	CO-01	Vulcon Everhot 2000Watt Convection Oven	3646	DR-01	1700w Simpson Dryer Element
1273	CO-02	Backwell 2400Watt Convection Oven	9520	CO-02	Simpson 2500Watt Convection Oven
1292	CO-01	Chef 2200Watt Convection Oven	9523	HP-02	1100w West HP
1297	CO-02	GEC/BDG Hotpoint 2750Watt Conv Oven	9523	HP-02T	1100w West HP Including Trim
1382	CO-02	Vulcon Everhot 2400Watt Convection Oven	9525	HP-01	1800w West HP
1527	CO-01	Metters 2000Watt Convection Oven	9525	HP-01T	1800w West HP Including Trim
1531	CO-01	GEC/BDG 2000Watt Convection Oven	9613	CO-01	Derby 2000Watt Convection Oven
1532	CO-01	GEC/BDG 1700Watt Convection Oven	9613	CO-01	Malleys 1800Watt Convection Oven
1533	CO-01	Davell 1900Watt Convection Oven	9613	CO-01	Simpson 2250Watt Convection Oven
1533	CO-01	GEC/BDG 1900Watt Convection Oven	9613	CO-01	Westinghouse 1800Watt Convection Oven
1539	CO-02	Chef 2500Watt Convection Oven	9615	HP-145-4	145mm 1000w Solid Element
1581	CO-01	Malleys 2000Watt Convection Oven	10247	FE-02	2150W Kleenmaid Fan Oven
1582	CO-01	Derby 2000Watt Convection Oven	18931	CO-02	Chef 2400Watt Convection Oven
1582	CO-01	GEC/BDG 2000Watt Convection Oven	90609	CO-01	Davell 1900Watt Convection Oven
1582	CO-01	Malleys 2000Watt Convection Oven	90622	CO-01	Roden 2200Watt Convection Oven
1582	CO-01	Malleys 2000Watt Convection Oven	91075	CO-02	Metters 2400Watt Convection Oven
1588	CO-01	GEC/BDG 2000Watt Convection Oven	96131	CO-01	Westinghouse 1800Watt Convection Oven
1588	CO-01	Malleys 2000Watt Convection Oven	104245	CO-01	Westinghouse 2200Watt Convection Oven
1616	CO-01	Simpson 2250Watt Convection Oven	106121	CO-01	Davell 2000Watt Convection Oven
1617	CO-01	Simpson 2200Watt Convection Oven	106121	CO-01	Davell 2000Watt Convection Oven
1618	CO-02	Simpson 2400Watt Convection Oven	805994	CO-01	Davell 2200Watt Convection Oven
1619	CO-01	Simpson 1500Watt Convection Oven	822708	CO-01	Simpson 2150Watt Convection Oven
1620	CO-02	Simpson 2500Watt Convection Oven	10318	FE-005	2200W Fan Element West. Current
1679	CO-02	GEC/BDG 2500Watt Convection Oven	1087	CO-01	Baemar 2100Watt Convection Oven
1679	CO-02	Malleys 2500Watt Convection Oven	1090-05	DP-01	Uni 8" Drip Pan
1680	CO-01	Metters 1800Watt Convection Oven	1091-05	DP-02	Uni 6 1/4" Drip Pan
1680	CO-01	Modern Maid 1800Watt Convection Oven	1153	CO-02	Simpson 2500Watt Convection Oven
1681	CO-01	Metters 1800Watt Convection Oven	1582	CO-01	Simpson 2000Watt Convection Oven
1681	CO-01	Modern Maid 1800Watt Convection Oven	1618	CO-02	Simpson 2400Watt Convection Oven
1768	CO-02	Vulcon Everhot 2400Watt Convection Oven	1928	CO-02	Simpson 2750Watt Convection Oven
1773	CO-01	Frigidaire 2200Watt Convection Oven	1928	CO-02	Simpson 2500Watt Convection Oven
1774	CO-01	Frigidaire 1900Watt Convection Oven	1976*	FE-01	2100W Chef Fan Oven
1793	CO-01	GEC/BDG 1800Watt Convection Oven	2141	CO-01	Baemar/New World 2000Watt Conv.Oven
1793	CO-01	Metters 1800Watt Convection Oven	2143	CO-01	New World/ 1900Watt Convection Oven
1793	CO-01	Philips 1800Watt Convection Oven	2194	CO-01	Modern Maid 2200Watt Convection Oven
1794	CO-01	Metters 1800Watt Convection Oven	2426	CO-02	Malleys 2400Watt Convection Oven
1795	CO-01	Metters 1800Watt Convection Oven	2438	CO-01	Vulcon Everhot 2000Watt Convection Oven
1796	CO-01	GEC/BDG 2200Watt Convection Oven	3480XSN	HWE-02	Hot Water Sickle 4.8
1796	CO-01	Metters 2200Watt Convection Oven	3482XSN	HWE-01	Hot Water Sickle 3.6
1796	CO-01	Philips 2200Watt Convection Oven	3501-05	HP-04	1800W Chef HP
1801-10	HP-06	2100W Chef HP 8"	3501-05	HP-04T	1800W Chef HP Inc. Trim & Socket
1803-10	HP-05	1250W Chef HP 6 1/4"	3501-09	TR-04	Trim Ring Lg Chef (w Block)
1825	FR-01	Defrost- 450w	3501-09	DP-03	Chef 7" Drip Pan
1832	CO-02	Simpson 2300Watt Convection Oven	3503-05	HP-03	1100W Chef HP
1844	CO-01	Braemar 2000Watt Convection Oven	3503-05	HP-03T	1100W Chef HP Inc. Trim & Socket
1844	CO-01	Malleys 2200Watt Convection Oven	3503-09	TR-03	Trim Ring SmChef (w Block)
1844	CO-01	Baemar/New World 2000Watt Conv.Oven	3503-09	DP-04	Chef 5" Drip Pan
1844	CO-01	Simpson 2200Watt Convection Oven	3521-09	TR-05	Trim Ring Small Chef (No Block)
1845	FR-02	Defrost- 500w	3521-20	S0-01	Chef Socket Late Model
1848	CO-01	Vulcon Everhot 1800Watt Convection Oven	3523-09	TR-06	Trim Ring Large Chef (No Block)
1854	CO-02	Frigidaire 2700Watt Convection Oven	545-1-907	TR-01	Trim Ring Lg FV Ser
1883	CO-01	Modern Maid 1800Watt Convection Oven	545-1-908	TR-02	Trim Ring Sm FV Ser
1887	CO-01	Metters 2000Watt Convection Oven	90418	CO-01	Metters 2200Watt Convection Oven
1888	HP-145-4R	145mm 1500w Solid Element	9613	CO-01	Simpson 1800Watt Convection Oven
1889	HP-180-4R	180mm 2000w Solid Element	VM47000	CO-01	St George 1600Watt Convection Oven
1907	CO-01	Metters 1800Watt Convection Oven	10323	CO-03	2200w Late Electlx Ovn 01224495
1928	CO-02	Simpson 2500Watt Convection Oven	10322	GRE-01	2200W Electrolux Grill (Current)
2131	CO-02	Chef 3000Watt Convection Oven		DP-05	FP Drip Pan Small
2131	CO-02	Chef 3000Watt Convection Oven		DP-06	FP Drip Pan Large
2136	CO-01	Chef 1800Watt Convection Oven		BC- 01	Burner Cap Small
				BC- 02	Burner Cap Large

Although all care has been taken to ensure the accuracy of the above information, no responsibility is assumed for any error or omissions by Wilson Elements. Manufacturers names are used for cross reference purposes only and do not constitute any recommendation or endorsement.. All of Wilson Elements are recommended to be installed by a qualified trades person as some modification may be required.

Grimwood to Wilson Conversion

Grimwood	Wilson	Description
1088	CO-02	Simpson 2600Watt Convection Oven
1140	CO-01	Chef 2000Watt Convection Oven
1152	CO-02	Simpson 2750Watt Convection Oven
1273	CO-02	Backwell 2400Watt Convection Oven
1292	CO-01	Chef 2200Watt Convection Oven
1539	CO-02	Chef 2500Watt Convection Oven
1768	CO-02	Vulcon Everhot 2400Watt Convection Oven
1848	CO-01	Vulcon Everhot 1800Watt Convection Oven
1893	CO-02	Chef 2400Watt Convection Oven
1976	FE-01	2100W Chef Fan Oven
2131	CO-02	Chef 3000Watt Convection Oven
2131	CO-02	Chef 3000Watt Convection Oven
2136	CO-01	Chef 1800Watt Convection Oven
2141	CO-01	Baemar/New World 2000Watt Conv.Oven
4205	CO-01	Malleys 2000Watt Convection Oven
9454	CO-01	Metters 2000Watt Convection Oven
9613	CO-01	Derby 2000Watt Convection Oven
42041	CO-01	Davell 2100Watt Convection Oven
42041	CO-01	Baemar 2100Watt Convection Oven
42041	CO-01	Simpson 2100Watt Convection Oven
42041	CO-01	Westinghouse 2100Watt Convection Oven
42047	CO-01	GEC/BDG 2200Watt Convection Oven
42047	CO-01	Metters 2200Watt Convection Oven
42047	CO-01	Philips 2200Watt Convection Oven
42049	CO-02	Vulcon Everhot 2400Watt Convection Oven
42050	CO-01	Chef 2200Watt Convection Oven
42051	CO-02	Chef 3000Watt Convection Oven
42053	CO-01	Vulcon Everhot 2000Watt Convection Oven
42055	CO-02	GEC/BDG Hotpoint 2750Watt Conv Oven
42056	CO-01	GEC/BDG 2000Watt Convection Oven
42057	CO-01	Davell 1900Watt Convection Oven
42057	CO-01	GEC/BDG 1900Watt Convection Oven
42058	CO-01	GEC/BDG 2000Watt Convection Oven
42059	CO-01	Derby 2000Watt Convection Oven
42059	CO-01	GEC/BDG 2000Watt Convection Oven
42059	CO-01	Simpson 2000Watt Convection Oven
42059	CO-02	Simpson 2400Watt Convection Oven
42060	CO-02	GEC/BDG 2500Watt Convection Oven
42060	CO-02	Malleys 2500Watt Convection Oven
42061	CO-02	Simpson 2500Watt Convection Oven
42062	CO-01	Malleys 2000Watt Convection Oven
90155	CO-01	Metters 2200Watt Convection Oven
90418	CO-01	Metters 2200Watt Convection Oven
90513	CO-01	Metters 1800Watt Convection Oven
90608	CO-01	Metters 1800Watt Convection Oven
90609	CO-01	Davell 1900Watt Convection Oven
90622	CO-01	Roden 2200Watt Convection Oven
90680	CO-01	Metters 2000Watt Convection Oven
90790	CO-01	GEC/BDG 1800Watt Convection Oven
90790	CO-01	Metters 1800Watt Convection Oven
90790	CO-01	Philips 1800Watt Convection Oven
90791	CO-01	Metters 1800Watt Convection Oven
90791	CO-01	Modern Maid 1800Watt Convection Oven
90792	CO-01	Metters 1800Watt Convection Oven
90792	CO-01	Modern Maid 1800Watt Convection Oven
90931	CO-01	Metters 1800Watt Convection Oven
91075	CO-02	Metters 2400Watt Convection Oven
91327	CO-01	Malleys 2200Watt Convection Oven
91327	CO-01	Simpson 2200Watt Convection Oven
104245	CO-01	Westinghouse 2200Watt Convection Oven
106121	CO-01	Davell 2000Watt Convection Oven
106121	CO-01	Davell 2000Watt Convection Oven
803736	CO-01	Davell 2200Watt Convection Oven
805994	CO-01	Davell 2200Watt Convection Oven
820420	CO-01	Davell 2200Watt Convection Oven
821083	CO-01	GEC/BDG 1700Watt Convection Oven
821152	CO-02	St George 2325Watt Convection Oven
821259	CO-01	Frigidaire 2200Watt Convection Oven
821261	CO-01	Frigidaire 1900Watt Convection Oven
821265	CO-02	Frigidaire 2700Watt Convection Oven

Grimwood	Wilson	Description
821293	CO-01	Simpson 2250Watt Convection Oven
821366	CO-02	Simpson 2400Watt Convection Oven
821554	CO-02	Simpson 2500Watt Convection Oven
821557	CO-01	Simpson 1500Watt Convection Oven
821689	CO-01	Davell 1850Watt Convection Oven
822708	CO-01	Simpson 2150Watt Convection Oven
822978	CO-01	New World/ 1900Watt Convection Oven
823131	CO-02	Simpson 2300Watt Convection Oven
823236	CO-01	Braemar 2000Watt Convection Oven
823236	CO-01	Baemar/New World 2000Watt Conv.Oven
823242	CO-01	Simpson 2250Watt Convection Oven
1439802	FR-01	Defrost- 450w
1439803	FR-02	Defrost- 500w
3336206	CO-01	Frigidaire 1900Watt Convection Oven
4800194	CO-01	Malleys 2000Watt Convection Oven
4800198	CO-01	Malleys 2500Watt Convection Oven
4800268	CO-02	Malleys 2400Watt Convection Oven
265P3	DP-02	Uni 6 1/4" Drip Pan
266P3	DP-01	Uni 8" Drip Pan
3501-05	HP-04	1800W Chef HP
3501-05	HP-04T	1800W Chef HP Inc. Trim & Socket
3501-09	TR-04	Trim Ring Lg Chef (w Block)
3501-09	DP-03	Chef 7" Drip Pan
3503-05	HP-03	1100W Chef HP
3503-05	HP-03T	1100W Chef HP Inc. Trim & Socket
3503-09	TR-03	Trim Ring SmChef (w Block)
3503-09	DP-04	Chef 5" Drip Pan
3521-09	TR-05	Trim Ring Small Chef (No Block)
3521-20	S0-01	Chef Socket Late Model
3523-09	TR-06	Trim Ring Large Chef (No Block)
42052G1	CO-01	Simpson 2250Watt Convection Oven
42059	CO-01	Malleys 2000Watt Convection Oven
42061	CO-02	Simpson 2500Watt Convection Oven
545-1-907	TR-01	Trim Ring Lg FV Ser
545-1-908	TR-02	Trim Ring Sm FV Ser
821286	CO-01	Simpson 2200Watt Convection Oven
822487	CO-02	Simpson 2750Watt Convection Oven
822488	CO-02	Simpson 2500Watt Convection Oven
CK006	FE-02	2150W Kleenmaid Fan Oven
FK710000	HP-05	1250W Chef HP 6 1/4"
FK720000	HP-06	2100W Chef HP 8"
FN72C010	DR-01	1700w Simpson Dryer Element
FN740000/S	CO-02	Simpson 2500Watt Convection Oven
FN960001	CO-02	Simpson 2500Watt Convection Oven
FV10A000	HP-01	1800w West HP
FV10A000	HP-01T	1800w West HP Including Trim
FV11A000	HP-02	1100w West HP
FV11A000	HP-02T	1100w West HP Including Trim
GA26A000	FE-005	2200W Fan Element West. Current
VU83A000	CO-03	2200w Late Electlx Ovn 01224495
HRH 14-4	HP-145-4R	145mm 1500w Solid Element
HRH 18-4	HP-180-4R	180mm 2000w Solid Element
HRH1000	HP-145-4	145mm 1000w Solid Element
P3778	CO-02	Malleys 2500Watt Convection Oven
P6318	CO-02	Malleys 2400Watt Convection Oven
QT11GO	CO-01	Vulcon Everhot 2000Watt Convection Ove
SS36S1	HWE-01	Hot Water Sickle 3.6
SS48S1	HWE-02	Hot Water Sickle 4.8
VF360000	CO-01	Modern Maid 1800Watt Convection Oven
VF61800	CO-01	Westinghouse 1800Watt Convection Over
VF61D00	CO-01	Malleys 1800Watt Convection Oven
VF61D00	CO-01	Westinghouse 1800Watt Convection Over
VF61D000	CO-01	Simpson 1800Watt Convection Oven
VF780000	CO-01	Modern Maid 2200Watt Convection Oven
VJ410006	DR-02	1700w Hoover Dryer Element
VM47000	CO-01	St George 1600Watt Convection Oven
	HP-180-4	180mm 1500w Solid Element
	DP-05	FP Drip Pan Small
	DP-06	FP Drip Pan Large
	BC- 01	Burner Cap Small
	BC- 02	Burner Cap Large

Although all care has been taken to ensure the accuracy of the above information, no responsibility is assumed for any error or omissions by Wilson Elements. Manufacturers names are used for cross reference purposes only and do not constitute any recommendation or endorsement.. All of Wilson Elements are recommended to be installed by a qualified trades person as some modification may be required.

Wilson Elements products are proudly distributed by: