



Firebob

The Firebob is an innovative suspended stove with fully rotating head enabling it to face any direction. The glass door and air adjuster give you control over the fire and a higher heat output and fuel efficiency compared to an open hanging fire. The Firebob is available in a range of colours. Flue length and fixing brackets are manufactured to suit your installation.

- Rotates 360 ° to face any direction
- 'Airwash' air control
- DEFRA approved for smoke control areas (size 100cm only)
- Three sizes – 100cm, 90cm, 69cm diameter
- UK and international direct delivery
- Choice of colours
- Hand made in the Scottish Borders.



+44 (0)1387 376765
info@firemaker.co.uk
www.firemaker.co.uk

FireBob 2020 – Specification

Size	Diameter cm	Height cm	Depth cm	Weight kg	Output kW	Flue size	Ventilation mm ²	DEFRA tested
L	100	56	95	120	8.5	8" (200mm)	1925	yes
M	90	51	87	100	7	8" (200mm)	1100	-
S	69	43	65	85	5	6" (150mm)	0	-
Flattened back version								
L	100	56	76	120	7	8" (200mm)	1100	-
M	90	51	68	100	5	8" (200mm)	0	-

New Builds

If installing the fire as part of a new-build property in the UK then we don't need to charge vat if you can provide evidence such as a planning permission number.

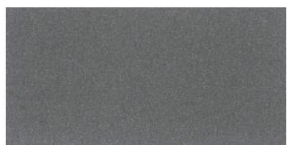
Contact

If we've missed anything or you need further information please give us a call – 01387 376765 info@firemaker.co.uk

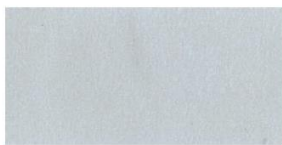
Colour finishes - Please ask if you would like samples of particular colours and we'll pop them in the post.



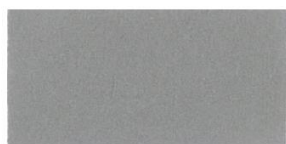
Deep Matt Black



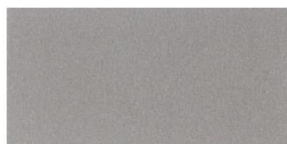
Charcoal



Pewter



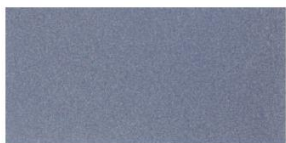
Light Grey



Metallic Brown



Metallic Blue



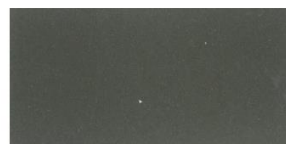
Sky Blue Metallic



Honey Glow Brown



Surf Sand



Forest Green



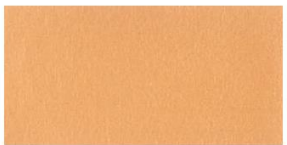
Shimmering Fire



Mojave Red



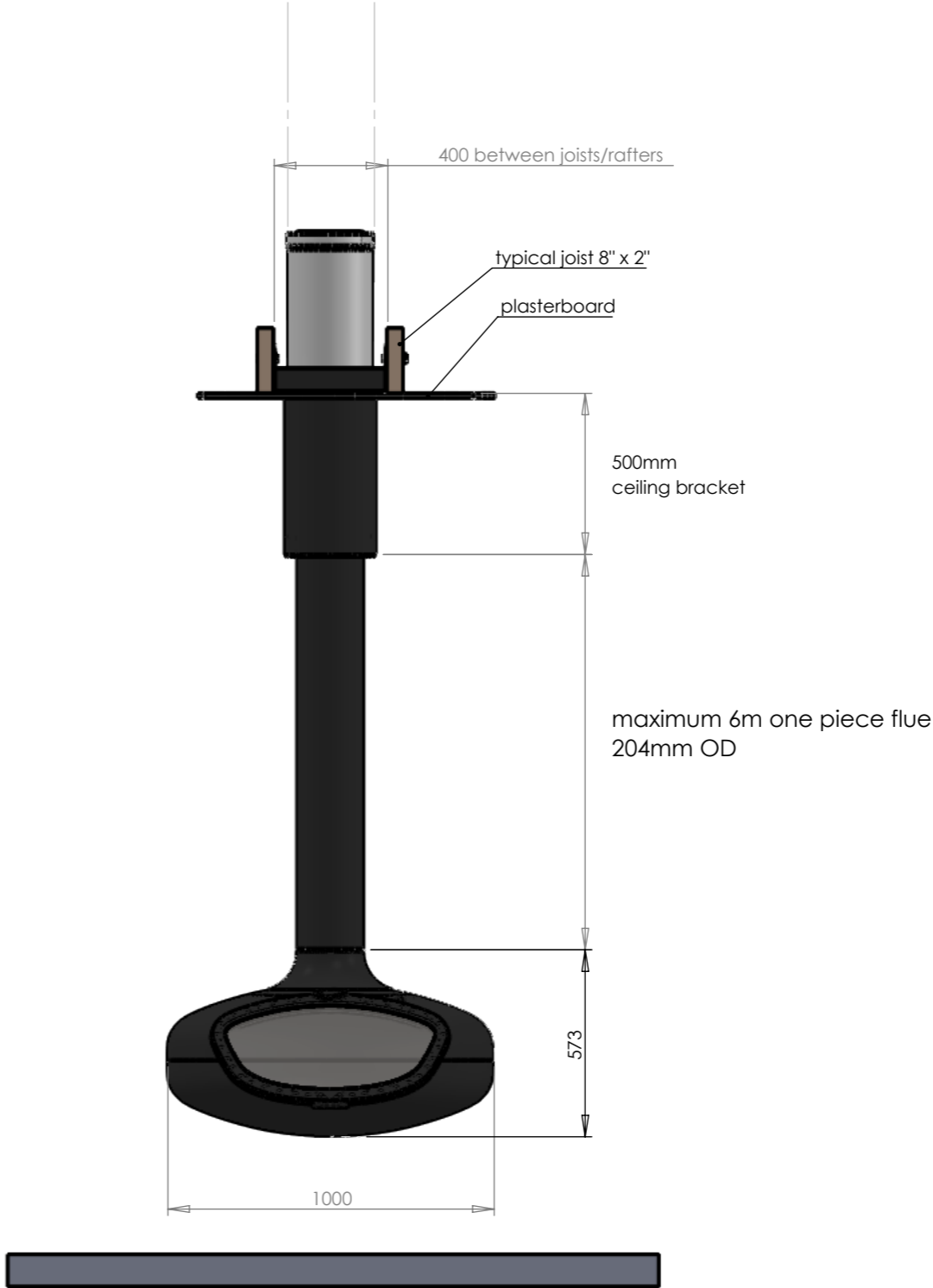
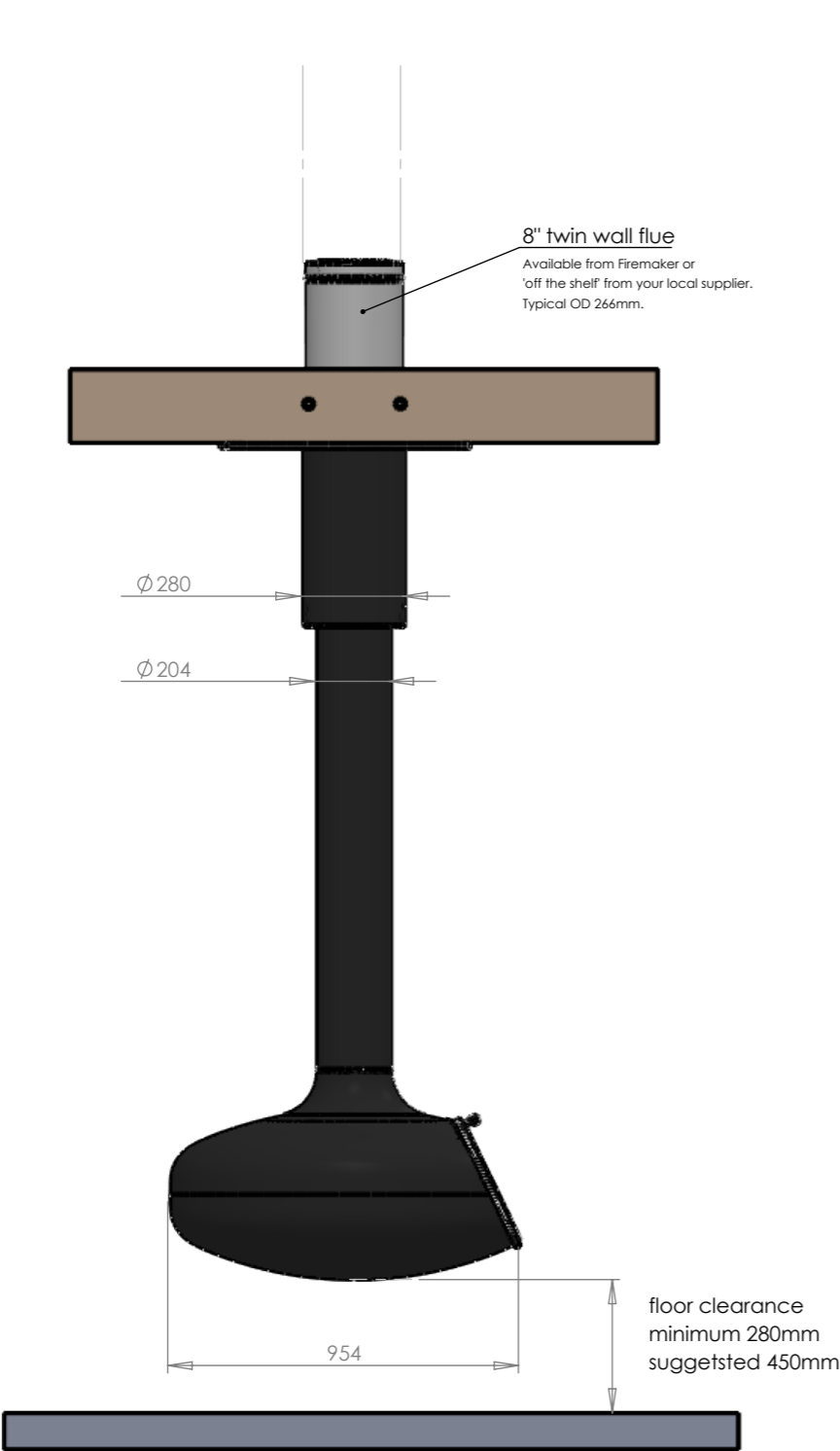
Rich Brown Metallic



Copper

Firebob 1000mm

Standard flat roof/ceiling fixing shown - custom made fixings available for pitched roof/ceiling.



Clearances
450mm to combustibles
450mm to glazing/windows
100mm to non-combustibles

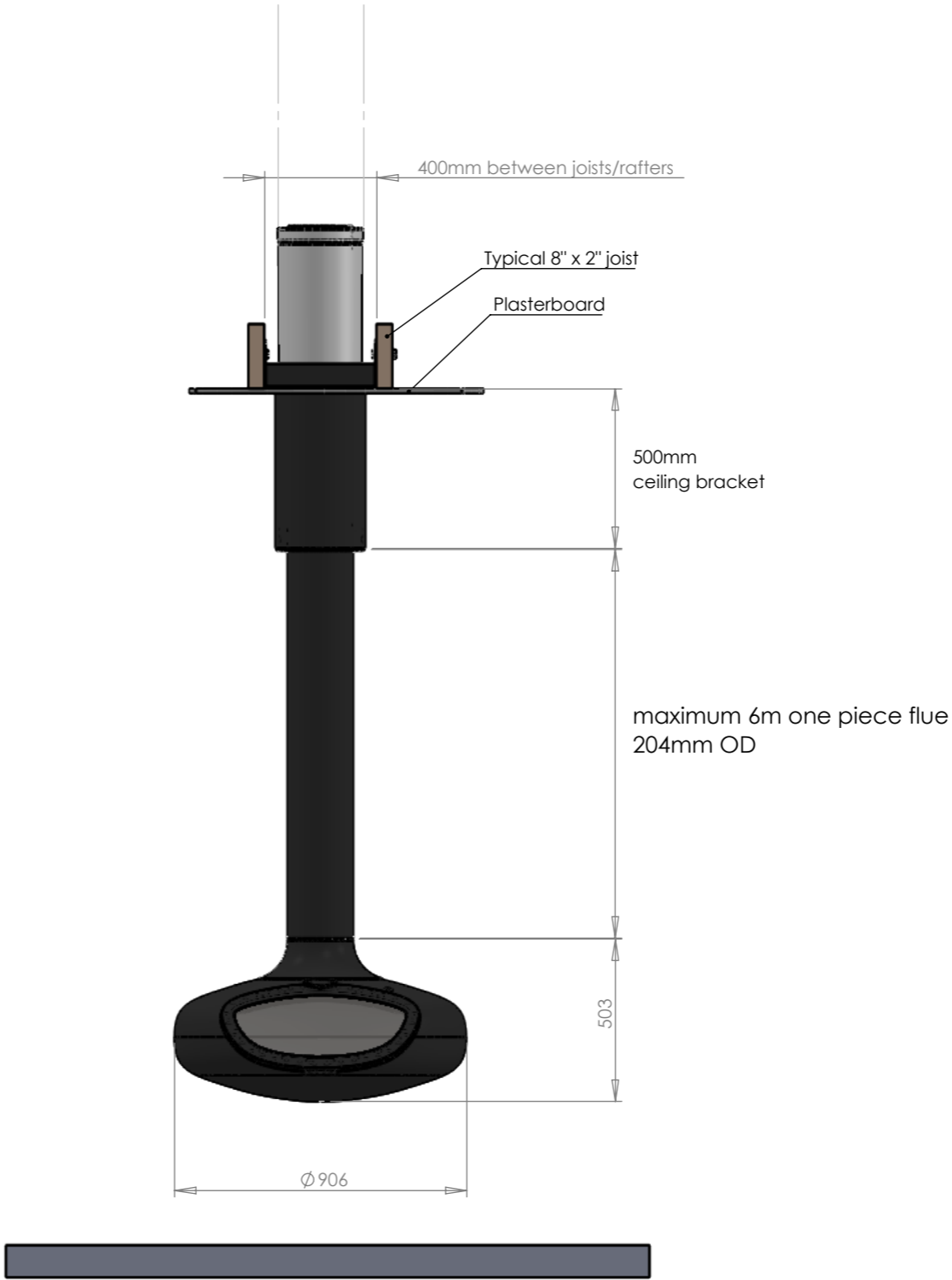
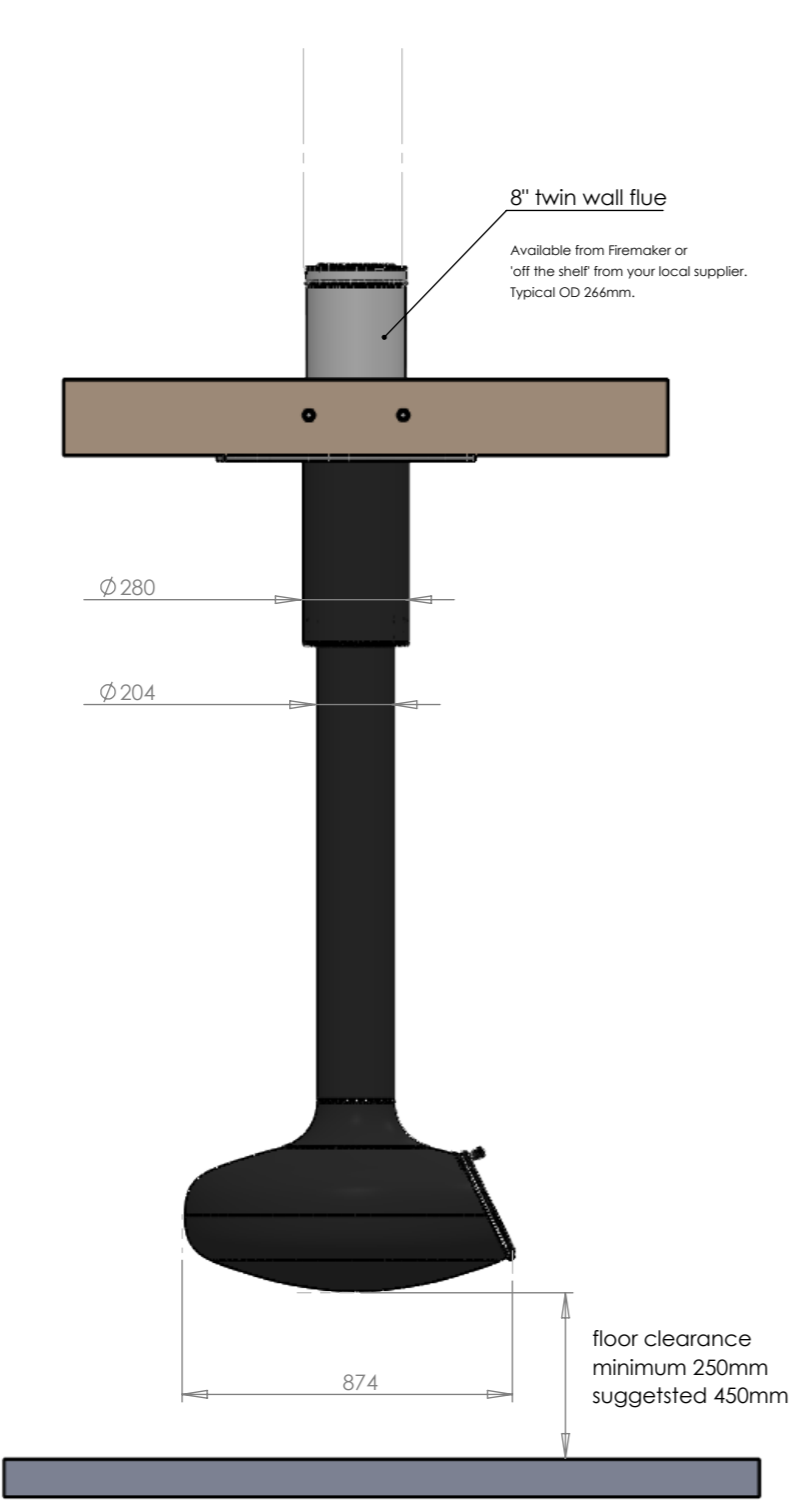
Output
10kW

Ventilation area required
2750mm²

Weight
125kg subject to flue length

Firebob 900mm

Standard flat roof/ceiling fixing shown - custom made fixings available for pitched roof/ceiling.



Clearances
450mm to combustibles
450mm to glazing/windows
100mm to non-combustibles

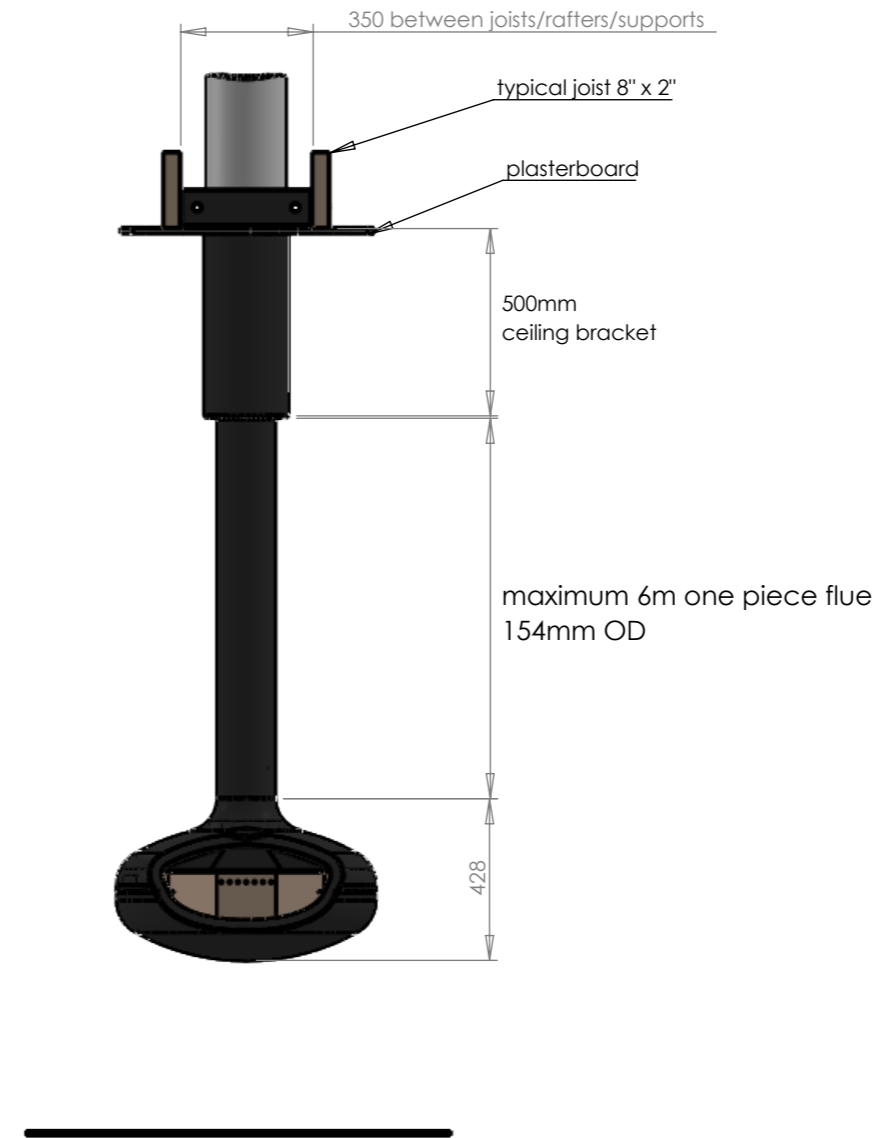
Output
8kW

Ventilation area required
2200mm²

Weight
110kg subject to flue length

Firebob 690mm

Standard flat roof/ceiling fixing shown - custom made fixings available for pitched roof/ceiling.



Clearances

450mm to combustibles
450mm to glazing/windows
100mm to non-combustibles

Output

5kW

Ventilation area required

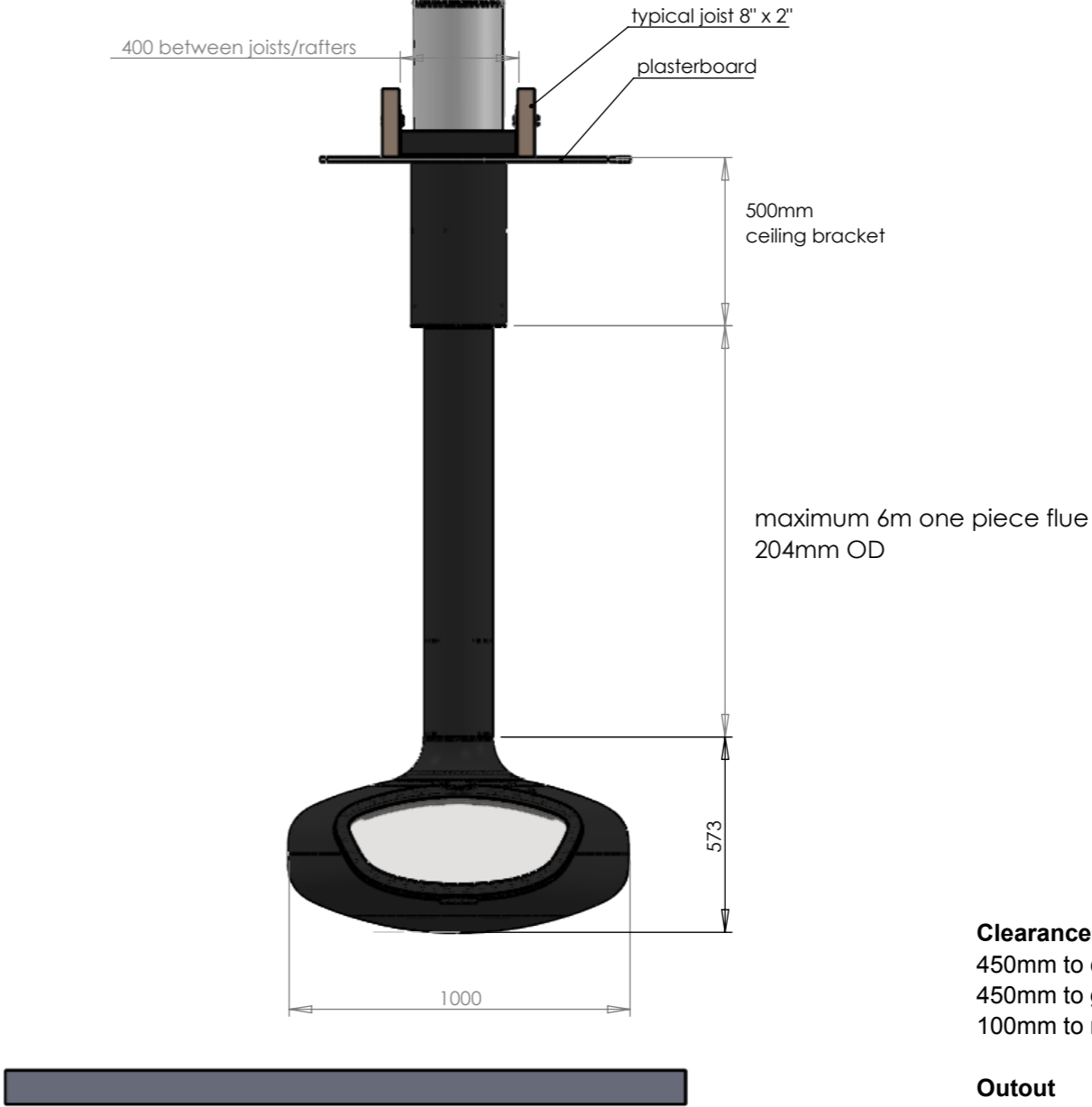
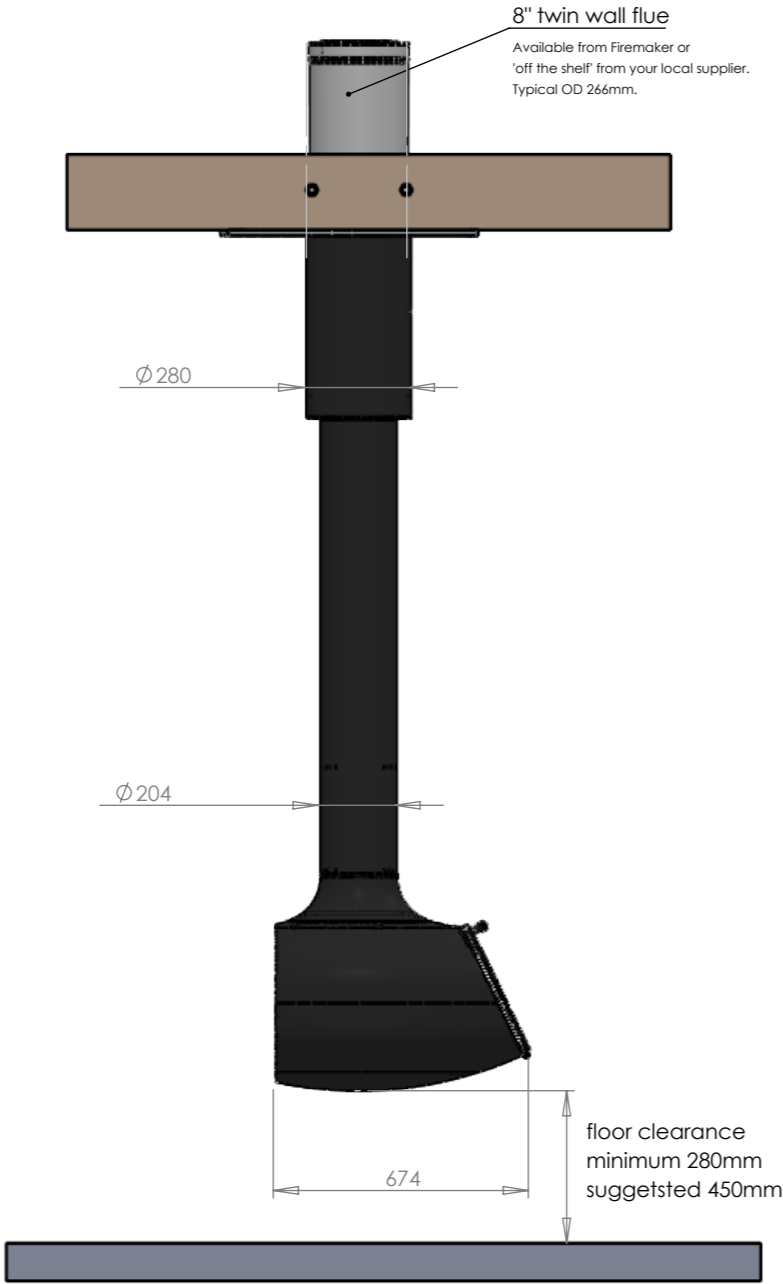
No additional ventilation required

Weight

85kg subject to flue length

Firebob 1000mm - reduced depth

Standard flat roof/ceiling fixing shown - custom made fixings available for pitched roof/ceiling.



Clearances
450mm to combustibles
450mm to glazing/windows
100mm to non-combustibles

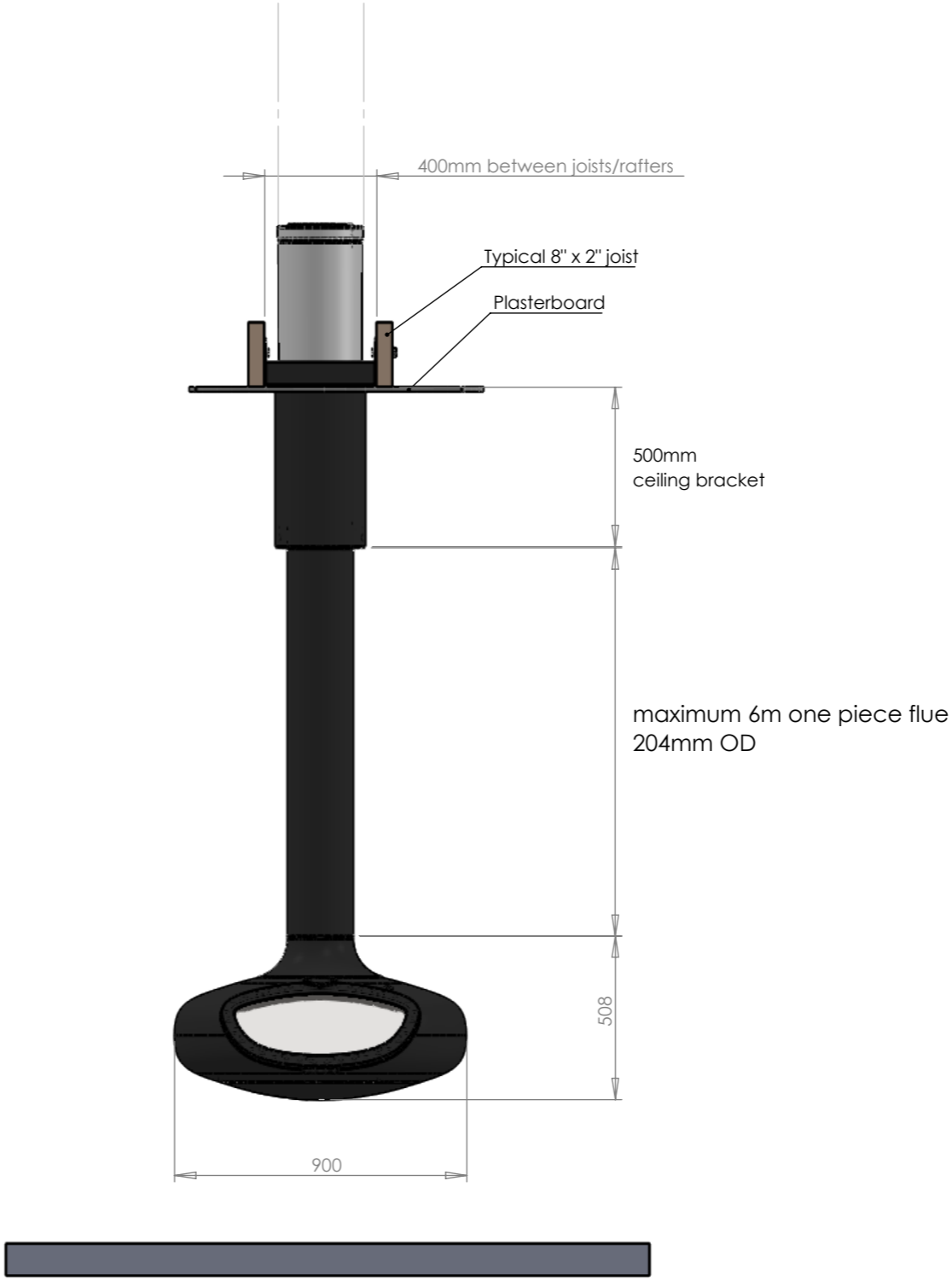
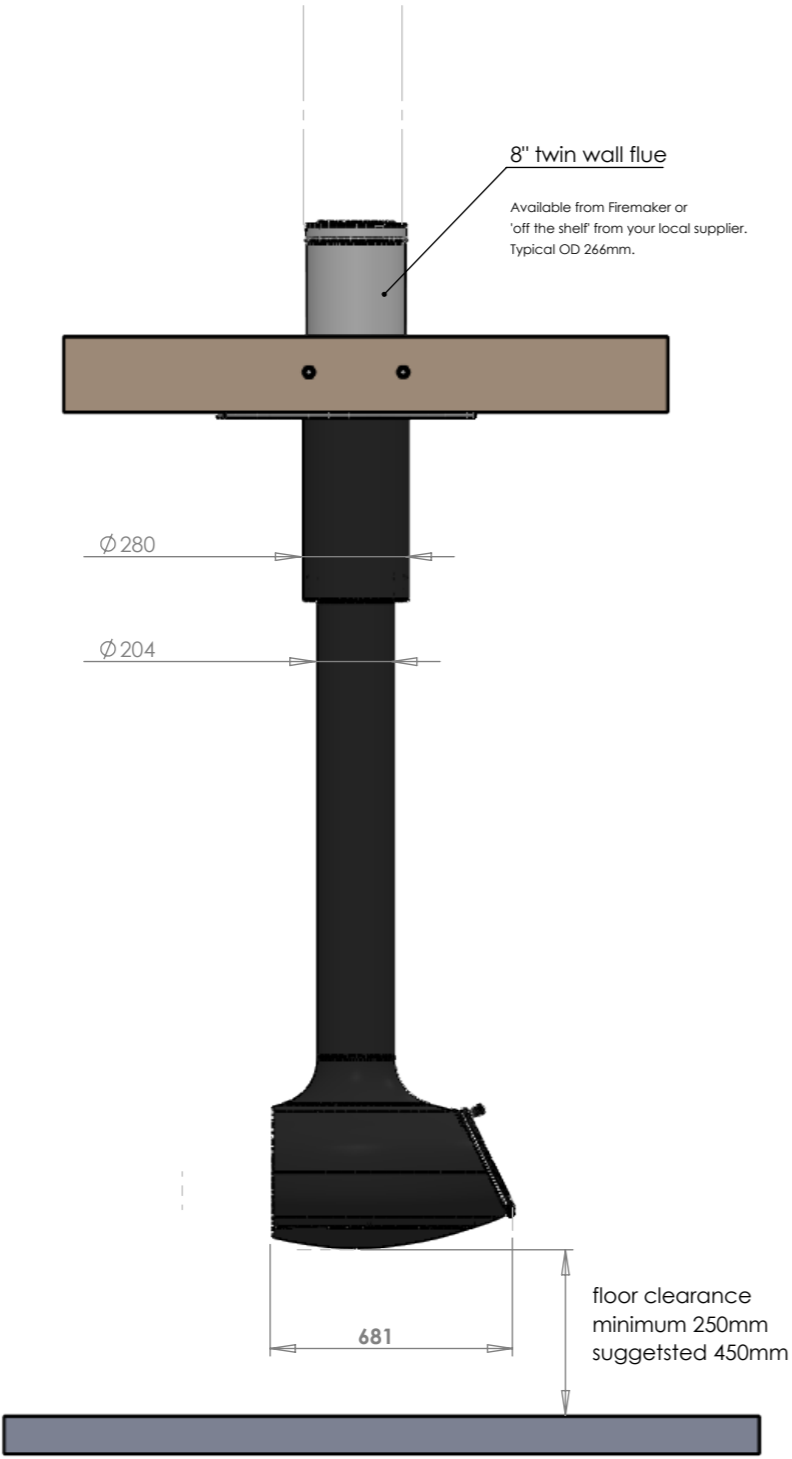
Output
9kW

Ventillation area required
2750mm²

Weight
125kg subject to flue length

Firebob 900mm - reduced depth

Standard flat roof/ceiling fixing shown - custom made fixings available for pitched roof/ceiling.



Clearances
450mm to combustibles
450mm to glazing/windows
100mm to non-combustibles

Output
7kW

Ventilation area required
2200mm²

Weight
110kg subject to flue length



Firebob Install

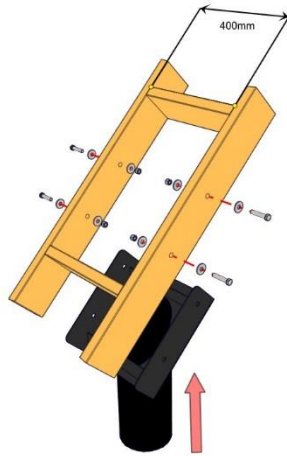
This shows a typical pitched roof installation.

Flat roof installation is the same.

Please contact us if you'd like to discuss variations on the install.

T: 01387 376765

E: info@firemaker.co.uk



Ceiling Bracket

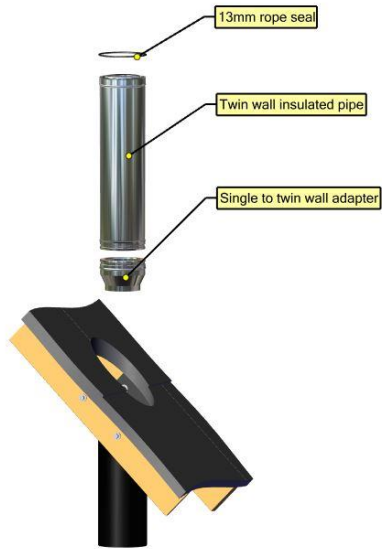
Fix the custom-made bracket to your ceiling joists/rafters/trusses (we'll make a bracket to suit your roof timbers or steel structure).



Ceiling Bracket

Plumb the bracket to make sure it is vertical.

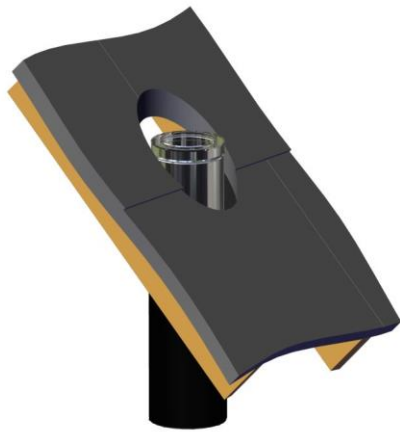
Once the bracket is in place then the ceiling can be plastered around the bracket if required.



External flue

Attach a single wall adapter to the bottom of the first length of twin wall pipe and drop down into the socket. Make sure the adapter fits into the ring at the bottom of the bracket.

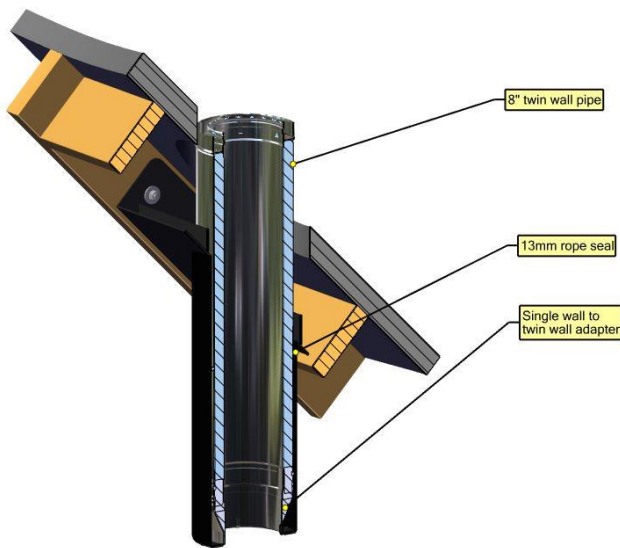
Use the 13mm rope seal to pack the flue around the top of the bracket.



External flue

The flue is 6" or 8" insulated twin wall pipe. Available from Firemaker or any flue supplier.

Polished stainless steel as standard but also available in powder coated RAL colours.



External flue

Cross section showing the rope seal, twin wall pipe and adapter in position.



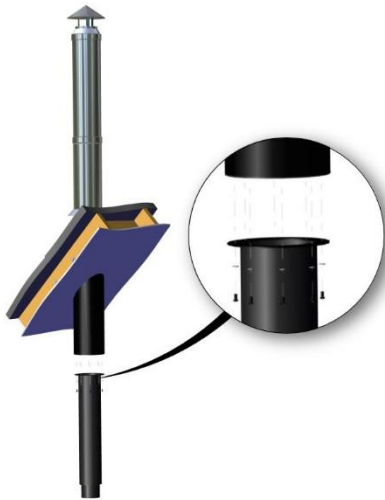
External flue

The roof flashing and the rest of the external flue parts can now be fitted.

Check local building regulations to determine height of flue required.

(Google 'building regs document J' for UK).

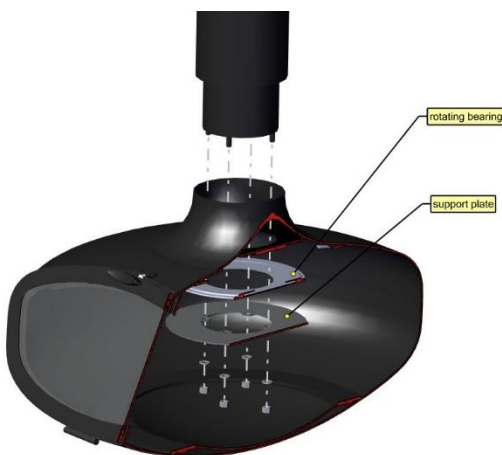
Page 26 on the PDF.



Internal flue

The internal flue comes in one piece (up to 6m long) to suit your ceiling height.

This is attached to the ceiling bracket with the eight m8 washers and bolts provided.

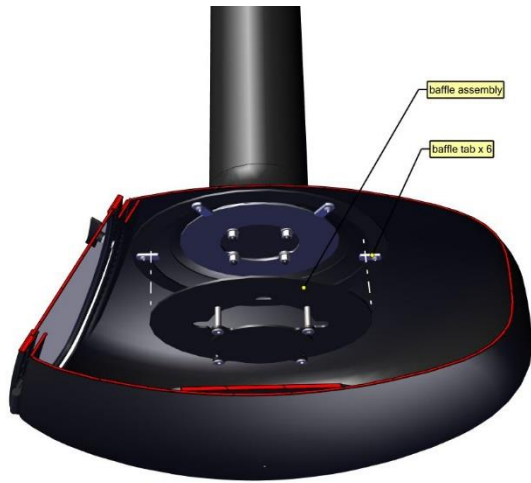


Fire body

Jack or pack up the stove so that the flue shoulder goes fully inside the stove body.

Open the door. Position the rotating bearing and support plate in the top of the stove and fix in place with the four washers and nuts.

You'll need three hands for this unless you're strong and dexterous!



Baffle assembly

Rotate the six baffle tabs out of the way.
Hold the baffle assembly in position and rotate the tabs back to hold the baffle up.

Tighten the baffle tab bolts.

Ready to light!