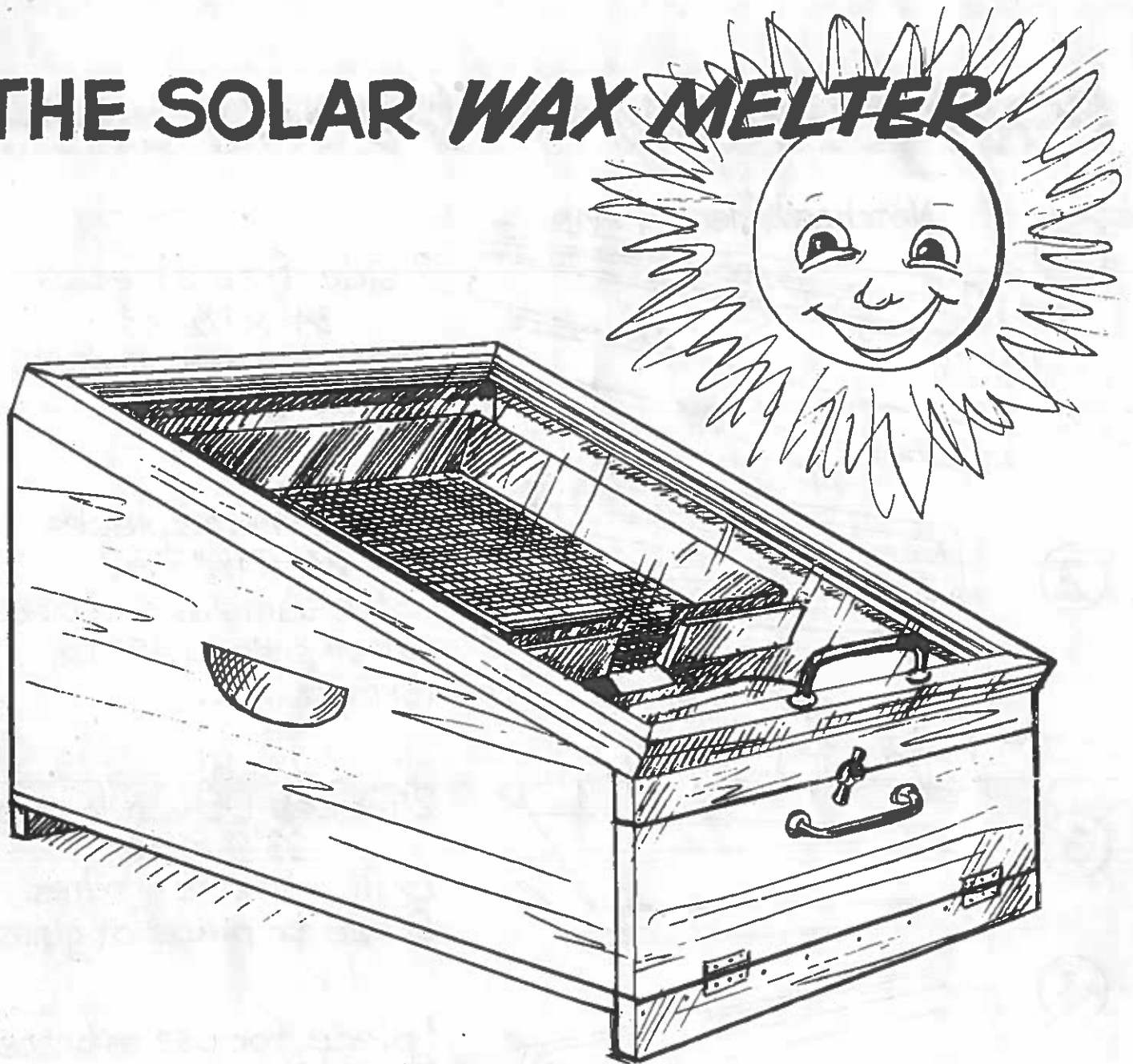


THE SOLAR WAX MELTER

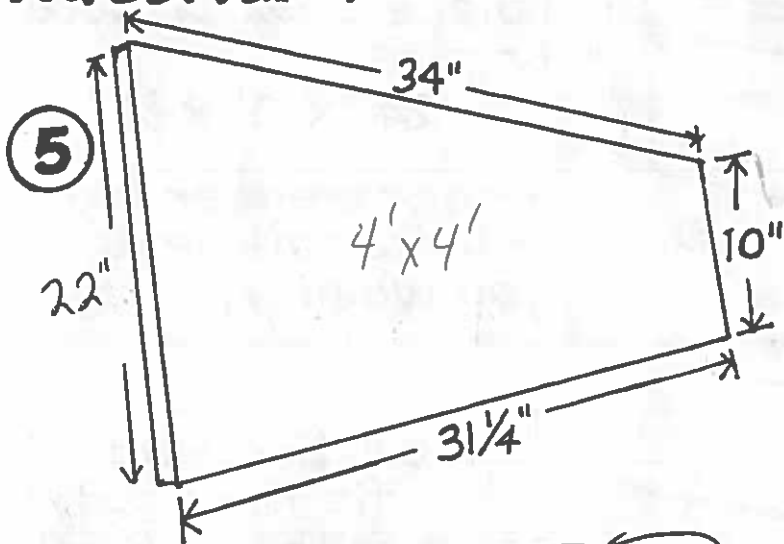


This glass covered SOLAR WAX MELTER can do an excellent job for you when it comes to separating beeswax from honey and other materials in bee colonies. Old comb, cappings, burr comb and other hive scrapings can be easily melted and separated, and will provide you with wax of high quality without trying to render wax on your kitchen stove!

If you follow the directions in this instruction sheet you will have a sturdy, hardworking addition to your beekeeping supplies. The sloping solar cover allows maximum heat to develop while the double glass and insulation retain the heat well above the melting temperature of beeswax. (about 145° F)

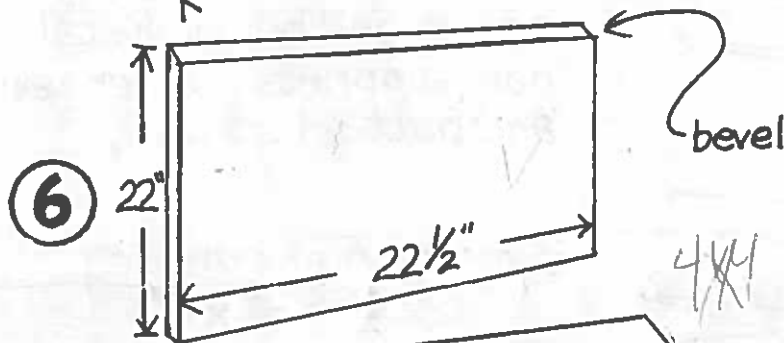
For best results keep your SOLAR WAX MELTER tightly closed and in a sunny, sheltered place.

Materials needed for the melter body...

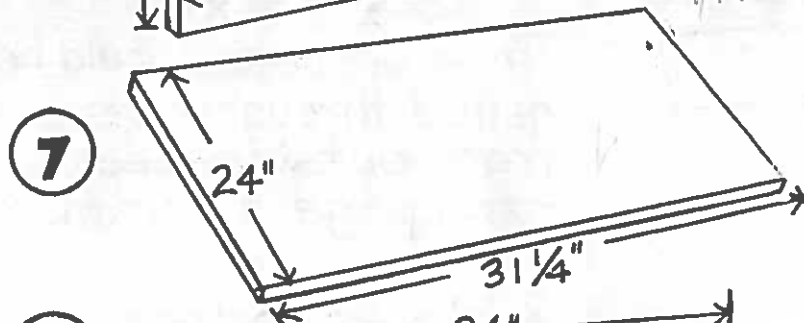


2 pieces of $\frac{3}{4}$ " plywood
 $31\frac{1}{4}'' \times 22'' \times 34'' \times 10''$
 for sides of solar melter
 body.

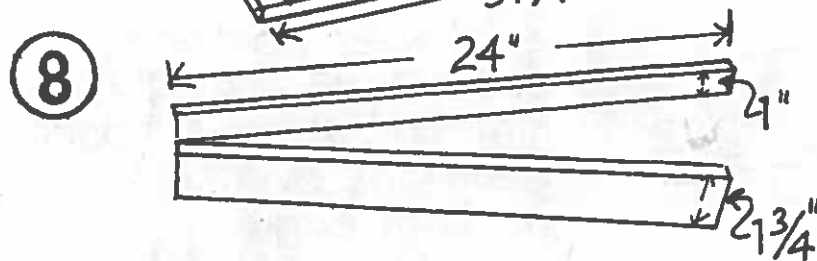
All plywood should be
 exterior grade. *



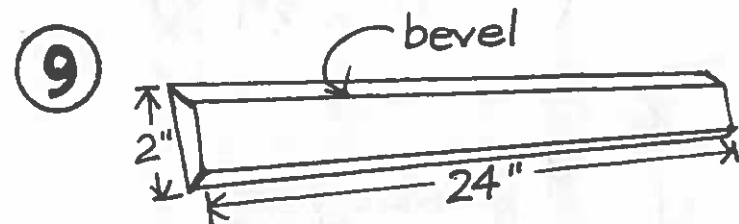
1 piece of $\frac{3}{4}$ " plywood
 for back of melter.
 $22\frac{1}{2}'' \times 22''$
 Bevel top edge to slope.



1 piece of plywood for
 bottom
 $31\frac{1}{4}'' \times 24''$



2 feet or support pieces
 Note two different sizes
 $24'' \times 1'' \times \frac{3}{4}''$ (back)
 $24'' \times 1\frac{3}{4}'' \times \frac{3}{4}''$ (front)



1 piece for above door
 $24'' \times 2'' \times \frac{3}{4}''$
 Bevel to fit slope

* $\frac{3}{4}$ " thick pine boards or shelving can be substituted for all
 plywood by piecing to width with suitable glue.

The metal pan and strainer screen

Made from 24 guage galvanized steel

