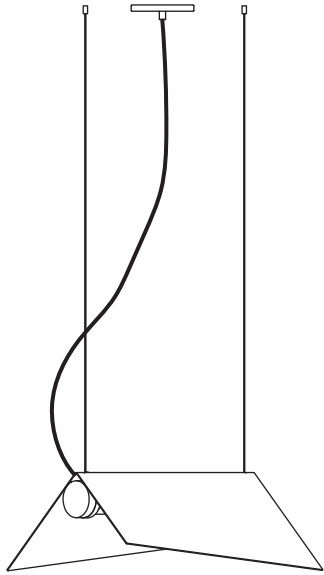




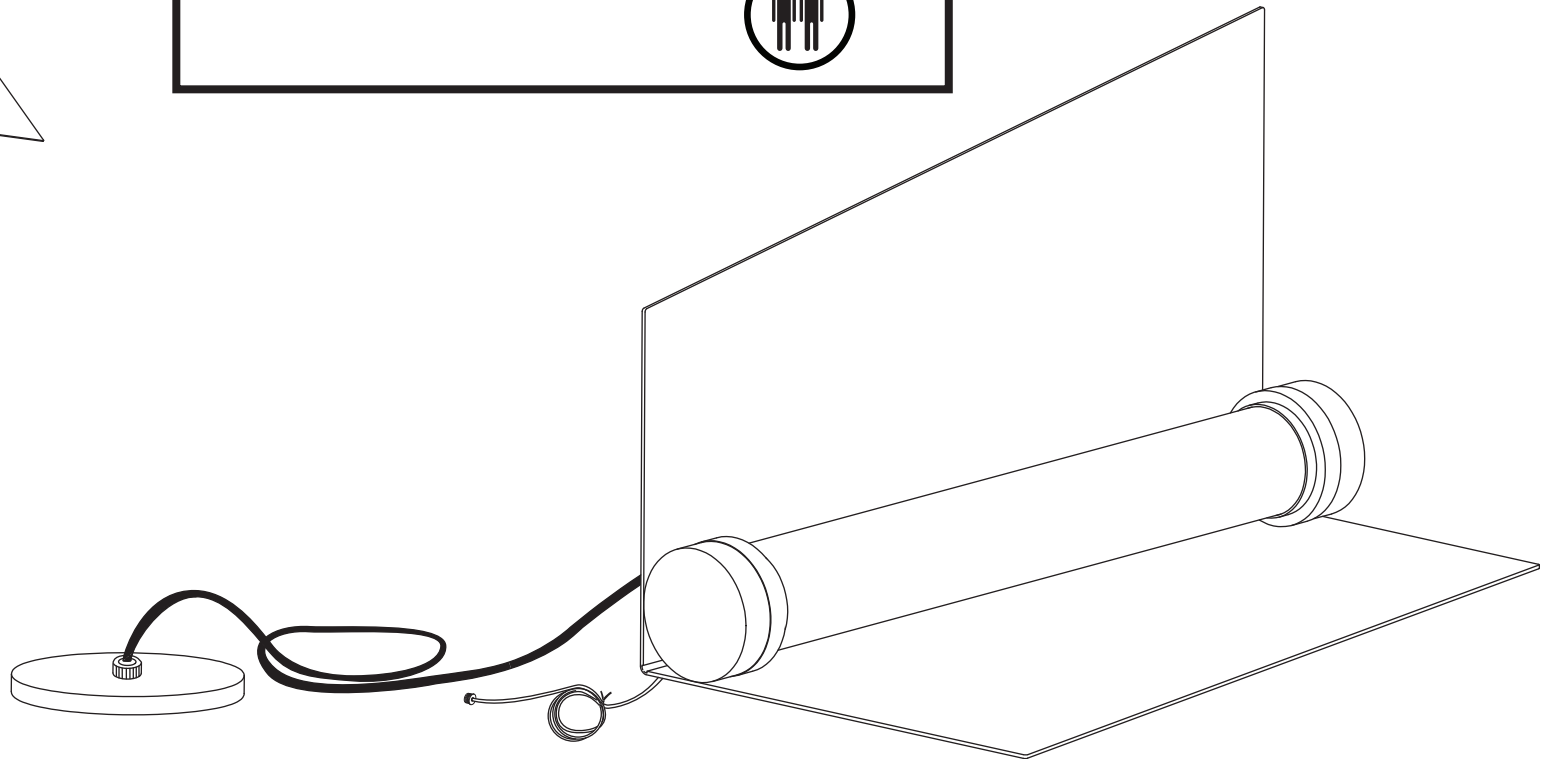
# CLARK SUSPENSION

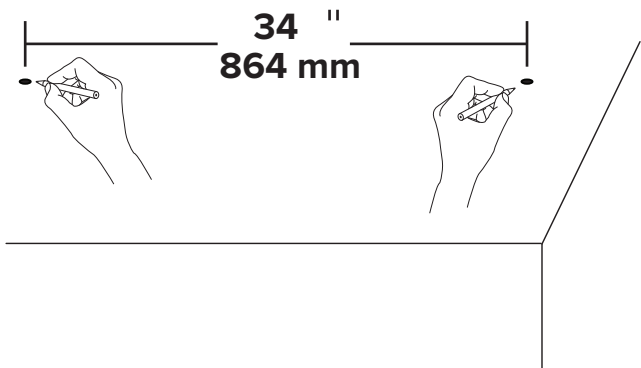




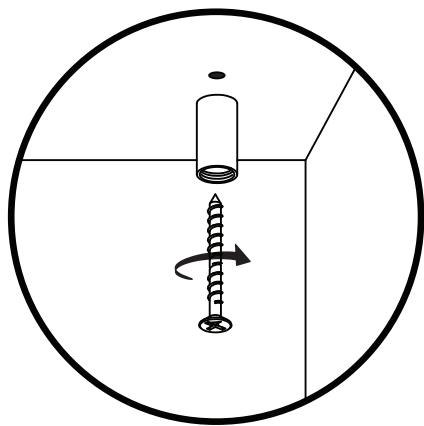
- To be installed by an electrician to an electrical box
- Use appropriate screws and anchors where necessary
- Wear enclosed gloves when handling lamp
- Handle materials with care. Please consult lamp maintenance sheet on our web site



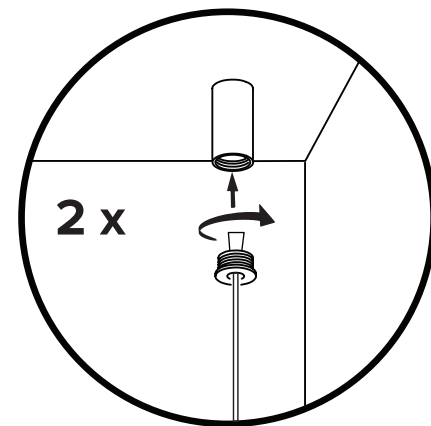




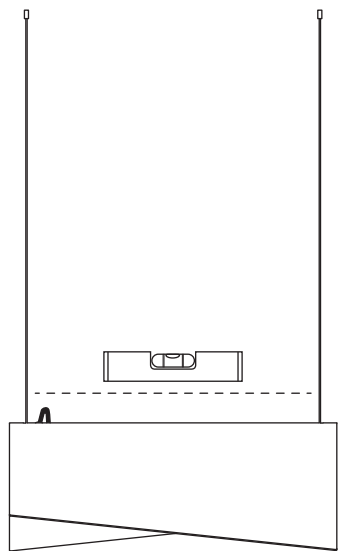
**1**



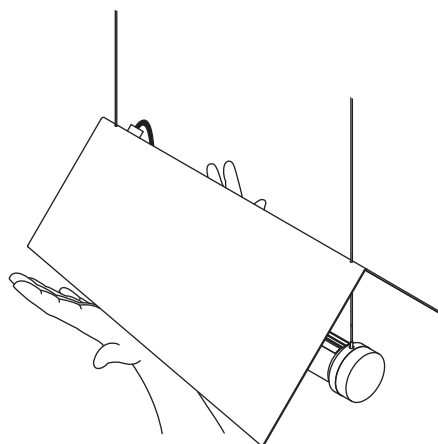
**2**



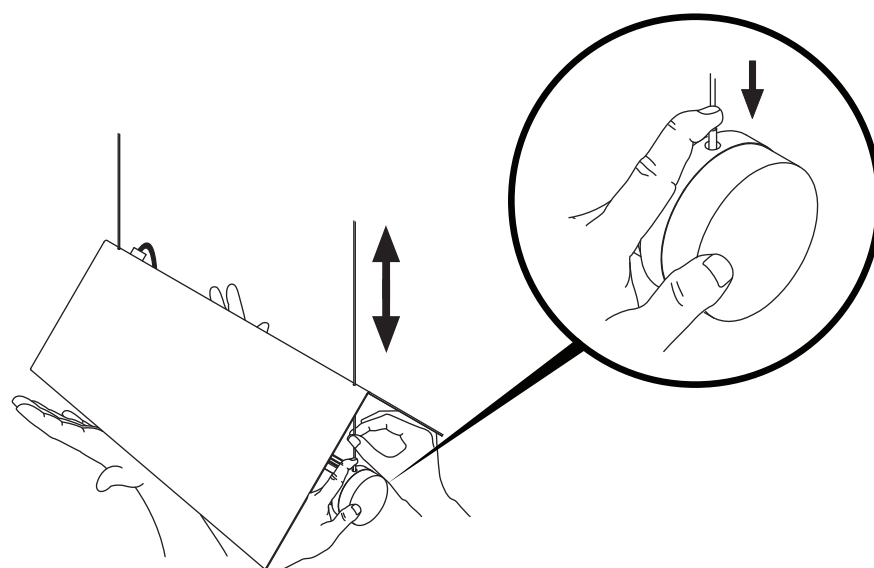
**3**



**4**



**5**



**6**

