
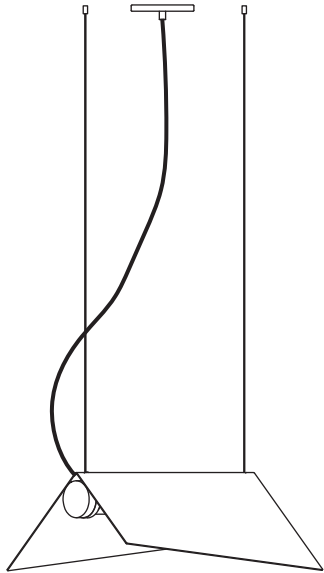




CLARK SUSPENSION

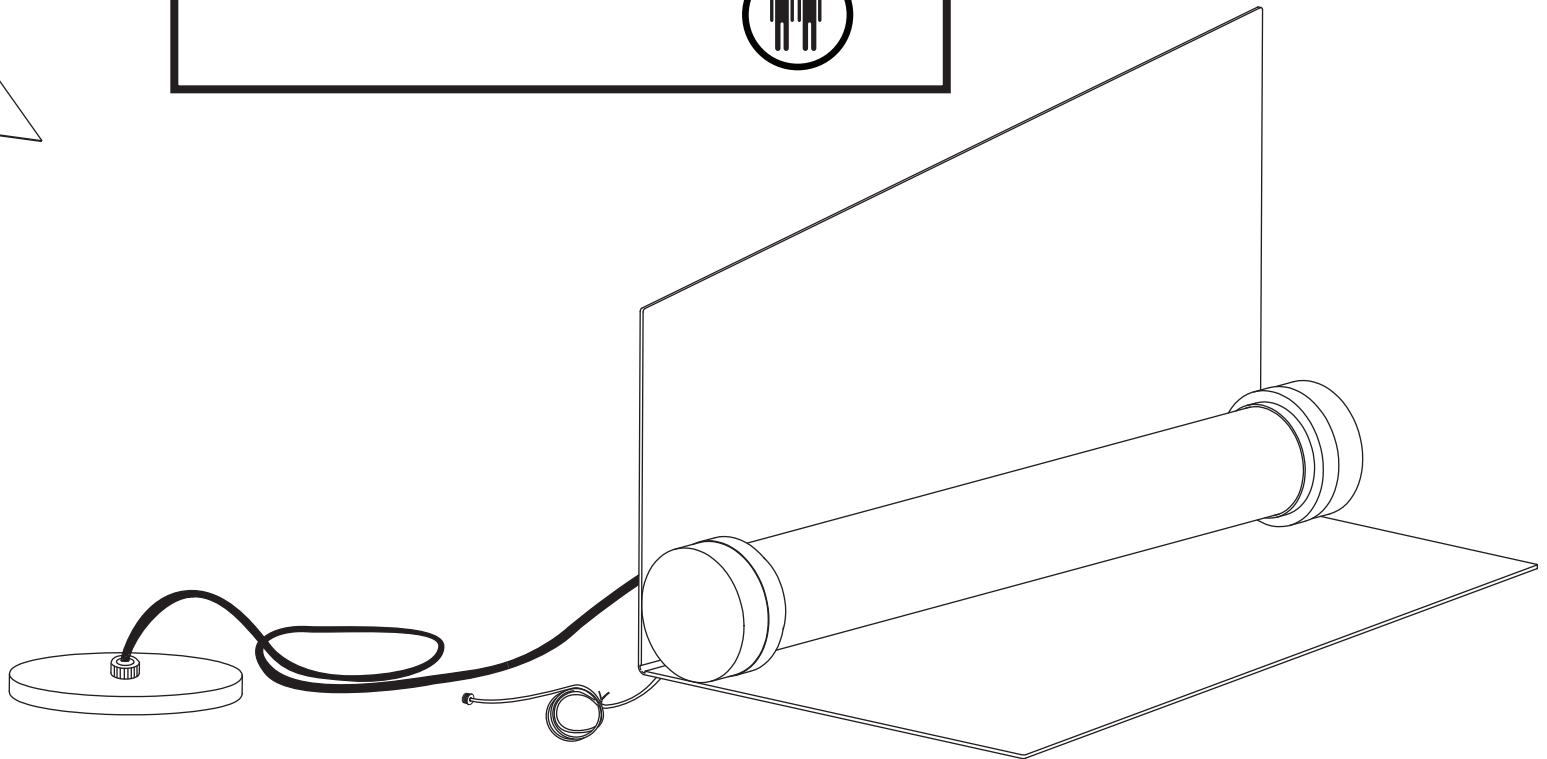
1 x  2 x  2 x 

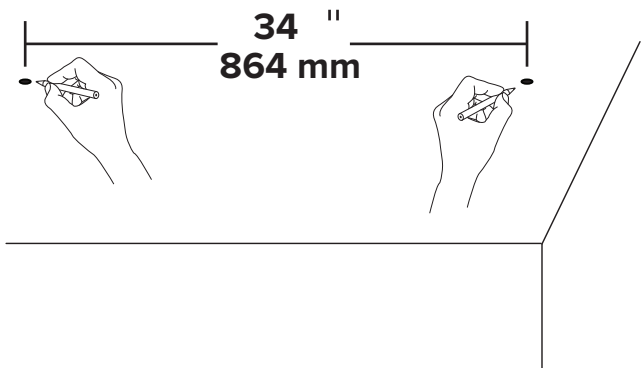




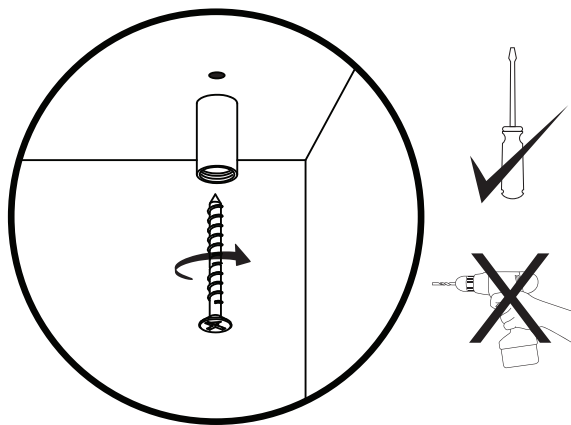
- To be installed by an electrician to an electrical box
- Use appropriate screws and anchors where necessary
- Wear enclosed gloves when handling lamp
- Handle materials with care. Please consult lamp maintenance sheet on our web site



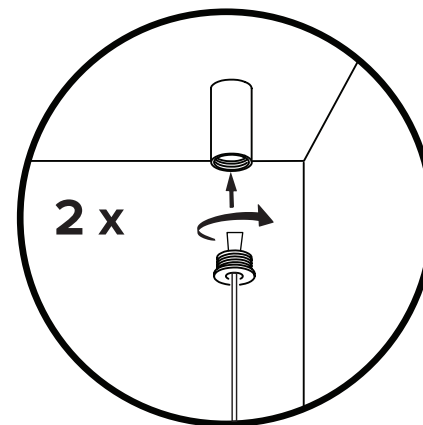




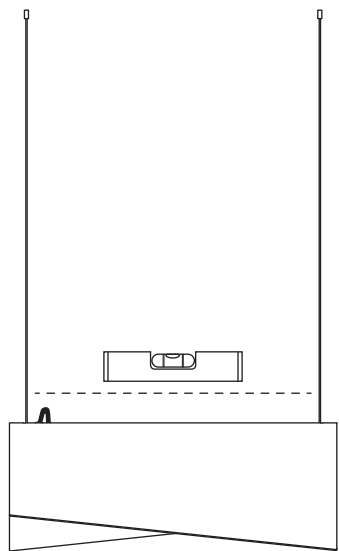
1



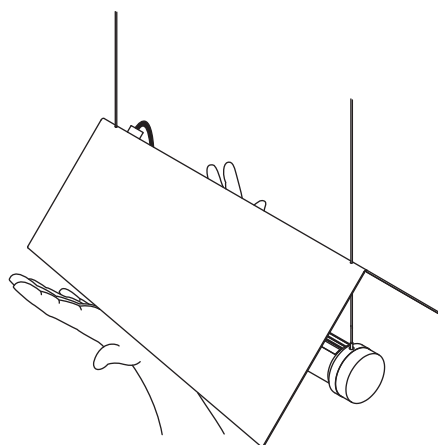
2



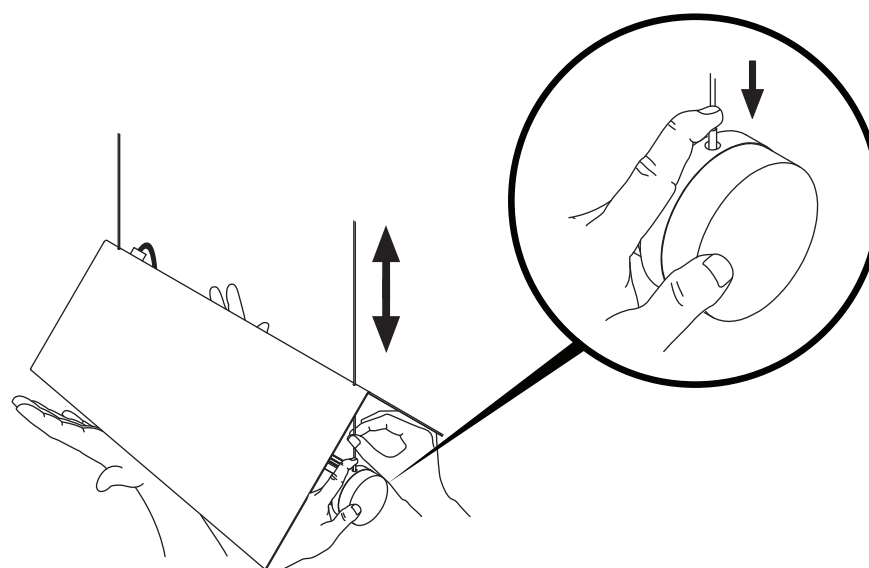
3



4



5



6

