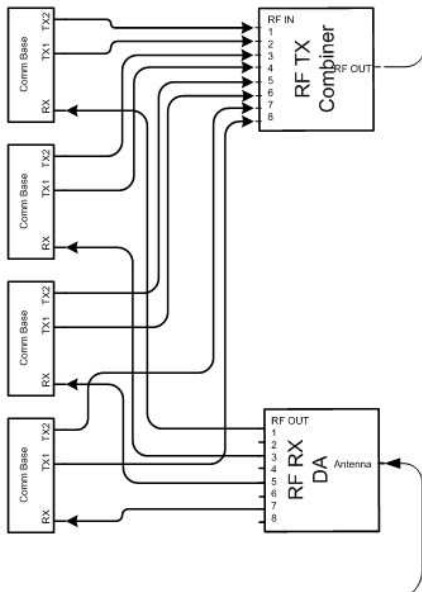
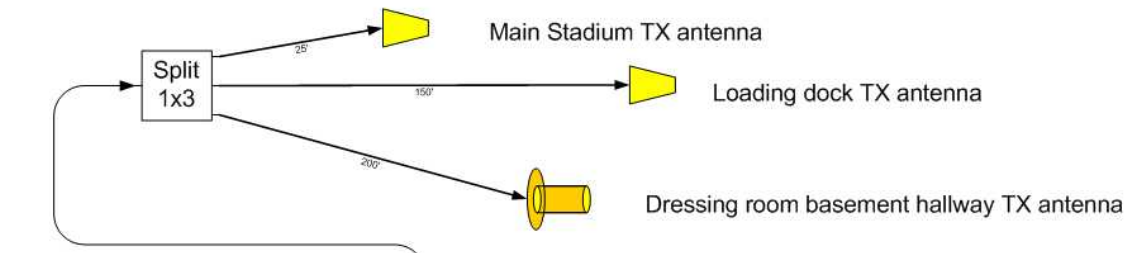


Pete's RF Tips

Often the wireless intercom antenna coverage is limited by the wall and obstructions in a venue. The belt packs just do not have enough coverage. Dressing rooms, loading docks, hallways and even outside the venue might be desirable to use the wireless intercom but it just doesn't work.

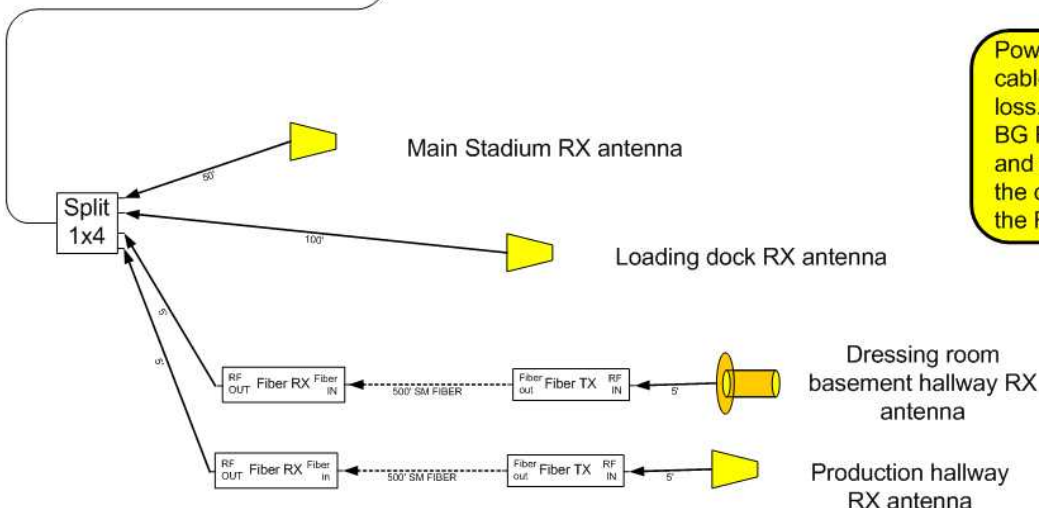
Extending your VHF/UHF coverage by splitting antennas




Splitting and distribution of the RX and TX antennas will extend the coverage for the BTR systems. Care needs to be taken with the overlap of the antennas coverage. The BTR belt packs and Base are not Diversity so nulls in the TX pattern will cause dropouts in the signal. This is somewhat less a problem with the RX side of the base.

Wherever the antennas are located proper protective spacing must be considered between the TX and RX antennas. Always put the tx antenna in the null zone of your RX antenna and at least 20' apart.

Powered amplified RX antennas on cables over 150' will help with cable loss. If you are in an area with high BG RF noise, use a standard paddle and put the RF amp at the end of the coax. The coax loss will prevent the RF amp from overload.



The RX for the Base is the most critical. Often a beltpack will hear the Base fine but not be able to TX back to the base. Here RF over fiber extender have been added to provide better RX in the dressing room area.

 www.bestaudio.com	Extending the wireless intercom antenna coverage		
	VHF and UHF		
SCALE none	Drawn by: Pete Erskine	Drawing Number	
	copyright Best Audio 2016		