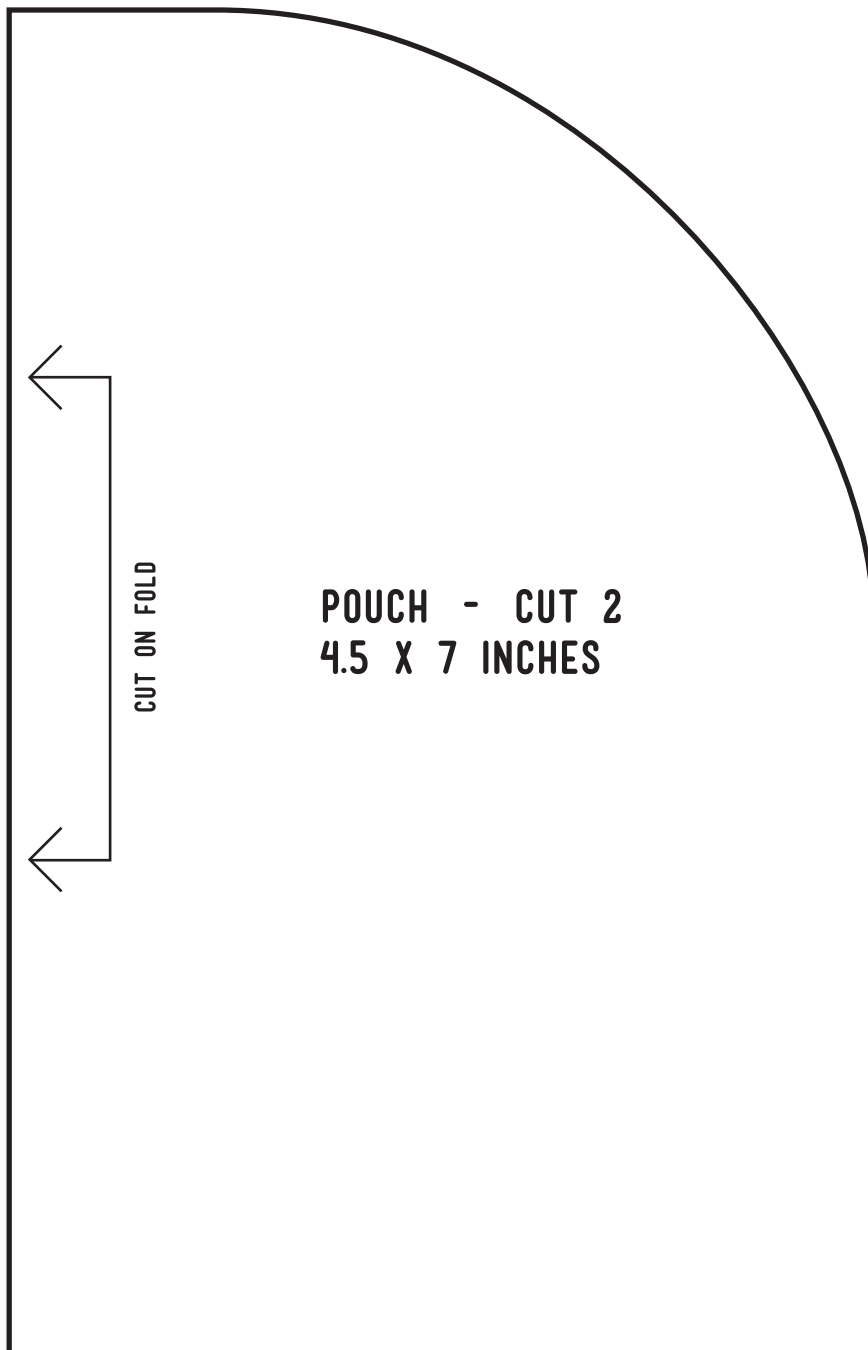


# LULA LOUISE HALF-CIRCLE ZIPPERED POUCH WITH OPTIONAL WRIST STRAP

**\*\*PRINT WITH PAGE SCALING SET TO "NONE"**

**LOOP - CUT 1  
2 X 2 INCHES**



**FOLD FABRIC HERE**

**STRAP -  
CUT 1 ON FOLD  
2 X 15 INCHES**