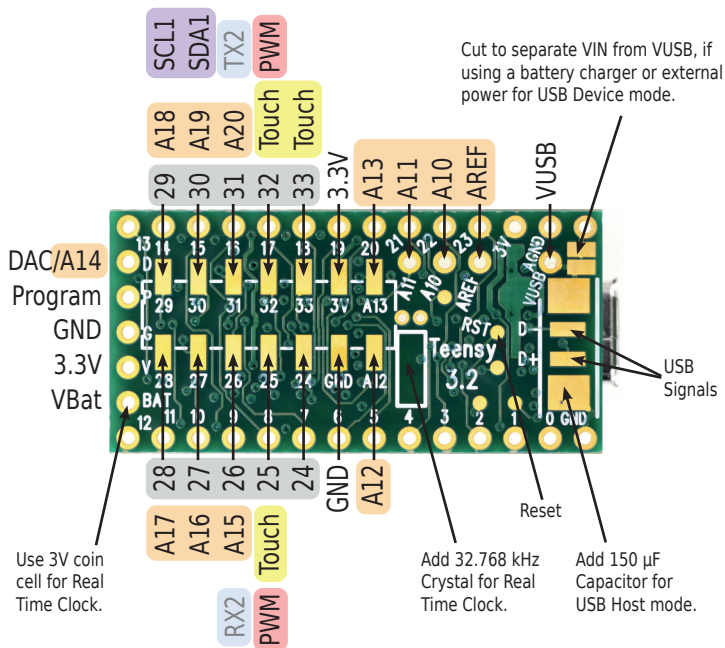


Teensy 3.2 Back Side

Additional pins and features available on the back side



For solutions to the most common issues and technical support, please visit:

www.pjrc.com/help

Teensy 3.2 System Requirements:
PC computer with Windows 7, 8, 10 or later
or Ubuntu Linux 12.04 or later
or Macintosh OS-X 10.7 or later
USB Micro-B Cable

