

The DDBC516FR is designed to provide cost effective control of DALI high frequency fluorescent ballasts. Each of the five control outputs support DALI broadcast, DALI Addressed, 1-10V and DSI protocols. The control signals can be programmed to operate in tandem with the five internal switched outputs, which will automatically isolate the power circuit when all associated channels are at 0%. This feature is useful for energy savings applications, as DALI ballasts draw a significant amount of power when the lamps are turned off via a DALI command. The device is DIN-rail mountable, designed to be installed in a switchboard next to the circuit breakers supplying power to the controlled lighting circuits. The DDBC516FR contains an integral DALI bus power supply, removing the need for an additional external device.

technical data 



Control Circuit Supply

100-240V 50/60Hz Single Phase at 0.5A

Control Outputs

5 x Control Outputs, each selectable to;
 - DALI broadcast: max 10 DALI loads/ch
 - DALI addressed: max 10 DALI loads/ch
 - 1-10V: max 10mA Sink or Source/ch
 - DSI: max 10 DSI loads/ch

Mains Outputs

5 x 16 Amp feed thru switched circuits for ballast mains supply (Max total box load of 80A)

Control Inputs

1 x RS485 DyNet serial port
 1 x AUX programmable dry contact input

Bus Power Supply

Internal DALI bus power supply

User Controls

Override switch for each switched channel
 On/Off status indicator for each switched output
 Service Switch
 Diagnostic LED

DyNet DC Supply

12V @ 200mA (supply for approx. 10 panel)

Preset Scenes

170

Diagnostic Functions

Lamp failure reporting
 Ballast failure reporting
 Ballast run time tracking for each ballast and the switched output
 Device Online/Offline status

Supply Terminals

Line, Neutral, Earth
 1 x 4mm² max conductor size

Output Terminals

5 x Ballast power circuit - Line In, Line out
 1 x 4mm² max conductor size
 5 x Ballast control circuit - Dx, Dx
 1 x 4mm² max conductor size

Operating Environment

0° to 40°C ambient temperature
 0% to 95% RH non-condensing

Storage and Transport

-25 to 60°C ambient temperature
 0% to 90% RH non-condensing

Compliance

CE, C-Tick

Enclosure

Polycarbonate DIN-rail enclosure (12 units wide)

Dimensions

H 93mm x W 211mm x D 75mm

Weight

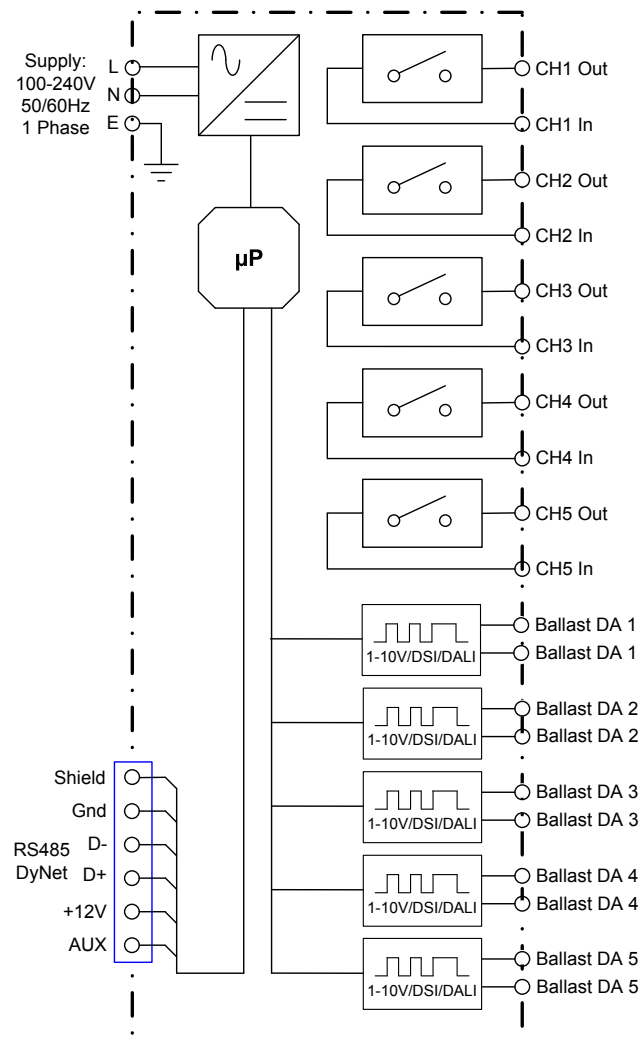
Packed weight 0.8kg

load compatibility 

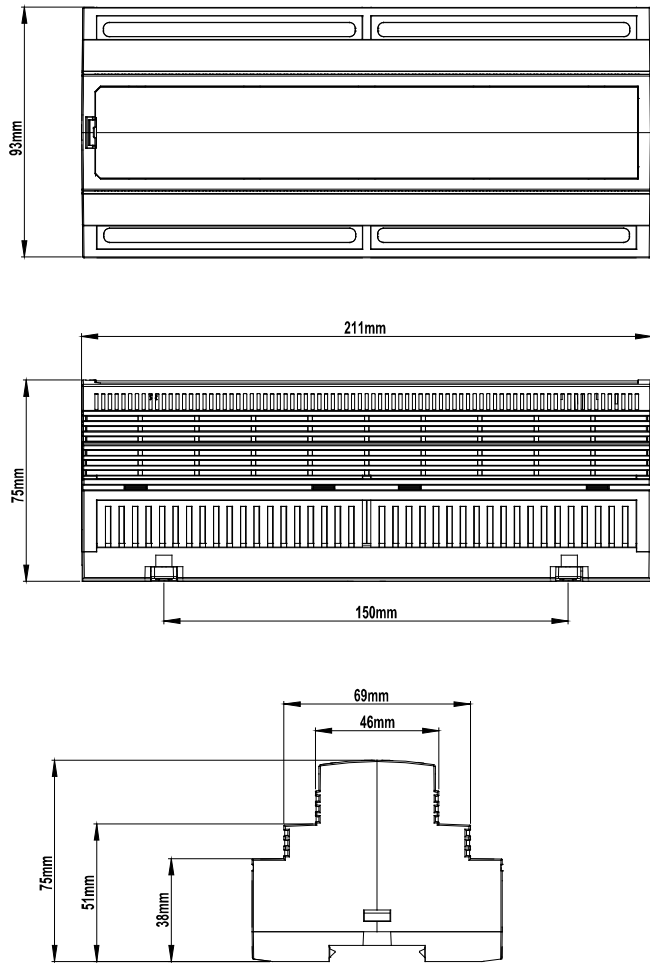
DALI, DSI and 1-10V HF ballasts
 DALI, DSI and 1-10V transformers

DALI, DSI and 1-10V LED drivers
 DALI, DSI and 1-10V Relay Modules

electrical diagram >>>



mounting dimensions >>>



For further information contact:

