

The DUS804C-DALI is a low profile recessed flush mount 360° ceiling mount sensor that combines motion detection (PIR) and ambient light level detection (PE) in the one device. The sensor is powered directly by the DALI network that is running between the DALI light fittings eliminating the need for additional network field wiring. The sensor can only be used when connected with a Philips Dynalite multi master controller such as the DDBC120-DALI unit. In applications such as office buildings, lecture theatres, and homes, the DUS804C-DALI multifunction sensor can be utilised to detect different levels of motion and switch on the lights. The sensor has a detection range of 7.42m x 5.66m area. When rooms are unoccupied the sensor can detect this and the lights can be automatically dimmed or switched off to provide energy savings. The unit also incorporates a segmented click-up bezel surrounding the motion sensor element. This enables a portion of the sensing field to be readily masked to prevent nuisance detection from adjacent doorways or corridors. In situations where it is critical to maintain precise lighting control for individual workspaces, such as an office workstation or even air traffic control centers, the DUS804C-DALI facilitates light compensation. The DUS804C-DALI can also be placed in an automatic “Daylight Regulation” mode for additional energy savings.

**technical data** 



motion detection masking bezel

**Motion Detector**

Standard Sensitivity  
Maximum detection range: 5.0m  
Detection Area: 7.4m x 5.6m rectangular  
(at a height of 2.5m)  
Detection speed: 1.0m/s  
Detection object: 700mm x 250mm  
Detection zones: 64  
LED activation indicator  
Sensor: Quad element pyro-electric

**PE Cell**

5 - 500 lux (incident on sensor)  
5 - 5000 lux (illumination of non-reflective surface in sensor’s field of view)

Note: Value subject to the reflectance properties of the surface

Automatic “Daylight Harvesting” mode

**Control Bus**

DALI bus with a Philips Dynalite MultiMaster controller.

**DALI power consumption**

9mA (Total of 10 user interface on one DALI universe)

**Terminals**

Standard:  
5 way removable terminal strip, loop in loop out  
1 x 1.5mm<sup>2</sup> max strain relief unit conductor size

**Controls**

Walk test/LED indicator  
Service pushbutton.

**Configuration**

All functions remotely programmable

**Operating Environment**

0° to 40°C ambient temperature  
0% to 90% RH non-condensing

**Storage and Transport**

-25 to 60°C ambient temperature  
0% to 90% RH non-condensing

**Compliance**

CE, C-Tick

**Construction**

ABS plastic enclosure

**Dimensions**

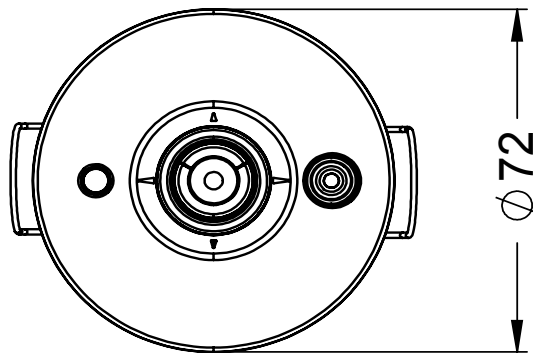
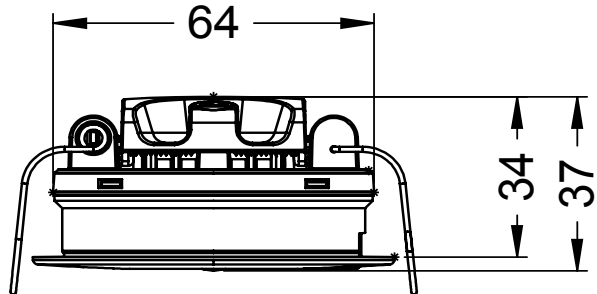
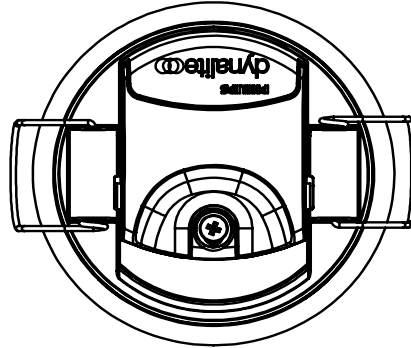
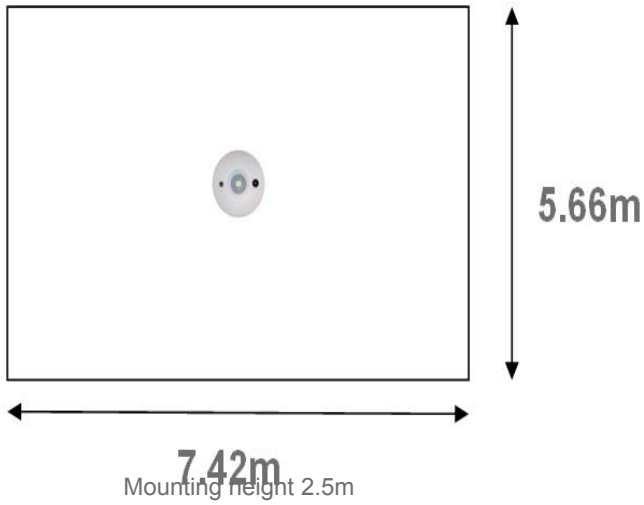
72mm diameter x D 26mm

**Weight**

Packed weight 0.116kg

lens pattern - DUS804C-DALI >>>

Mounting dimensions >>>



All dimensions shown in mm

